

VALVES





Company Introduction

Originally founded in 2016, Hispeed Group Inc. is a professional manufacturer integrating the production, innovation, R & D and sales of valves, roll grooving tools, fire sprinklers, bathroom sprinklers, egg processing machines and other products.

The company pays much attention to scientific and quality management. We have professional valve research institute, and products are designed with 2D&3D. It was granted ISO 9002 certificate, Environmental Management System(EMS) ISO14001 certificate and FM certificate.

The Group covers 20000 square meters and owns 200 employees. There are several machine shops.

The HISPEED® valves may be used in commercial and industrial applications, including water supply, waste water, gas supply, fire protection, HVAC, irrigation, beer drink, printing and dyeing, air separation etc. Choose HISPEED® valves for the most specified, versatile and economical valve option in commercial, mechanical and industrial applications.

Hispeed Group Inc. produces high, medium & low pressure valves of all kinds, such as:Iron gate, globe, check and butterfly valves as per MSS-SP, DIN, BS, AWWA and JIS standards; Steel gate, globe, check & ball valves as per API600, ANSI B16.34 and BS; Iron Y-type strainers as per ANSI & BS; The diameter is from 1/2" to 56". The pressure is from 125LBS to 2500LBS, PN16 to PN300.

All the foreign standard valves sell well in many countries and regions such as North America, South America, Europe, Africa, Middle East and Southeast Asia.

Our products enjoy high reputation at home and abroad. We are expecting to become your long term partner in China.



Main facilities used in production and machining



Main facilities used in inspection and test



Contents

1 Fire Protection Valves

- 1.1 300PSI Rising Stem Resilient-Seated(OS&Y) Gate Valve
- 1.2 300PSI Non-Rising Stem Resilient-Seated(NRS) Gate Valve
- 1.3 BS PN16 Rising Stem Resilient-Seated(OS&Y) Gate Valve
- 1.4 BS PN16 Non-Rising Stem Resilient-Seated(NRS) Gate Valve
- 1.5 DIN PN16 Rising Stem Resilient-Seated(OS&Y) Gate Valve
- 1.6 DIN PN16 Non-Rising Stem Resilient-Seated(NRS) Gate Valve
- 1.7 Rising Stem Resilient-Seated(OS&Y) Gate Valve(Grooved End)
- 1.8 Non-Rising Stem Resilient-Seated(NRS) Gate Valve(Grooved End)
- 1.9 Butterfly Valve(Wafer)
- 1.10 300PSI Butterfly Valve(Grooved)
- 1.11 300PSI Bronze Butterfly Valve(Grooved)
- 1.12 300PSI Bronze Butterfly Valve(Threaded)
- 1.13 300PSI Resilient-Seated Swing Check Valve
- 1.14 PN16 Resilient-Seated Swing Check Valve
- 1.15 300PSI Resilient-Seated Swing Check Valve(Grooved End)
- 1.16 300PSI Silent Check Valve
- 1.17 PN16 Silent Check Valve
- 1.18 300PSI Wafer Double Door Check Valve
- 1.19 PN16 Wafer Double Door Check Valve
- 1.20 300PSI Y-Strainer
- 1.21 300PSI Y-Strainer(Grooved End)
- 1.22 PN16 Y-Strainer
- 1.23 300PSI Pressure Reducing Valve
- 1.24 PN16 Pressure Reducing Valve
- 1.25 300PSI Pressure Relief Valve
- 1.26 PN16 Pressure Relief Valve
- 1.27 300PSI Wet System Valve
- 1.28 PN16 Wet System Valve
- 1.29 Test and Drain Valves

2 Gate Valves

- 2.1 Rising Stem Cast Iron(OS&Y) Gate Valve
- 2.2 Non-Rising Stem Cast Iron(NRS) Gate Valve
- 2.3 300PSI Rising Stem Resilient-Seated Ductile Iron(OS&Y) Gate Valve
- 2.4 300PSI Non-Rising Stem Resilient-Seated Ductile Iron(NRS) Gate Valve
- 2.5 PN16 Rising Stem Resilient-Seated Ductile Iron(OS&Y) Gate Valve
- 2.6 PN16 Non-Rising Stem Resilient-Seated Ductile Iron(NRS) Gate Valve
- 2.7 Rising Stem Resilient-Seated Ductile Iron(OS&Y) Gate Valve(Grooved End)
- 2.8 Non-Rising Stem Resilient-Seated Ductile Iron(NRS) Gate Valve(Grooved End)

2.9 Cast Steel Gate Valve

3 Butterfly Valves

3.1 Ductile Iron Butterfly Valve(Wafer)

3.2 Ductile Iron Butterfly Valve(Grooved)

3.3 300PSI Ductile Iron Double Eccentric Butterfly Valve

3.4 PN16 Ductile Iron Double Eccentric Butterfly Valve

3.5 Cast Steel Butterfly Valve(Grooved)

4 Check Valves

4.1 Cast Iron Swing Check Valve

4.2 Resilient-Seated Ductile Iron Swing Check Valve

4.3 Resilient-Seated Ductile Iron Swing Check Valve(Grooved End)

4.4 Silent Ductile Iron Check Valve

4.5 Ductile Iron Flex Check Valve

4.6 Wafer Double Door Ductile Iron Check Valve

4.7 Cast Steel Check Valve

5 Strainers

5.1 Cast Iron Y-Strainer

5.2 Cast Iron Basket Strainer

5.3 300PSI Ductile Iron Y-Strainer

5.4 PN16 Ductile Iron Y-Strainer

5.5 300PSI Ductile Iron Y-Strainer(Grooved End)

5.6 Cast Steel Y-Strainer

5.7 Cast Steel Basket -Strainer

6 Control Valves

6.1 Ductile Iron Pressure Reducing Valve

6.2 Ductile Iron Pressure Relief Valve

6.3 Ductile Iron Remote Control Float Valve

6.4 Ductile Iron Pump Control Valve

6.5 Cast Steel Pressure Reducing Valve

6.6 Cast Steel Pressure Relief Valve

6.7 Cast Steel Remote Control Float Valve

6.8 Cast Steel Pump Control Valve

7 Air Relief Valves

7.1 Single Orifice Air Relief Valve

7.2 Double Orifice Air Relief Valve

8 Foot Valves

9 Balancing Valves

10 Knife Gate Valves

10.1 Ductile Iron Knife Gate Valve

10.1 Cast Steel Knife Gate Valve

11 Sludge Drainage Valves



12 Ball Valves**13 Globe Valves****14 Angle Seat Valves**

14.1 Stainless Steel Y-type angle seat valve

14.2 Stainless Steel Proportional control angle seat valve

14.3 Stainless Steel Filling Valve

14.4 Stainless Steel Multi-channel valve

15 Shuttle Valves**16 Brass or Bronze Valves**

16.1 Brass or Bronze Gate valve

16.1 Brass or Bronze Ball valve

16.1 Brass or Bronze Check valve

16.1 Brass or Bronze Balancing valve

16.1 Brass or Bronze Strainer

16.1 Brass or Bronze Camlock Coupling

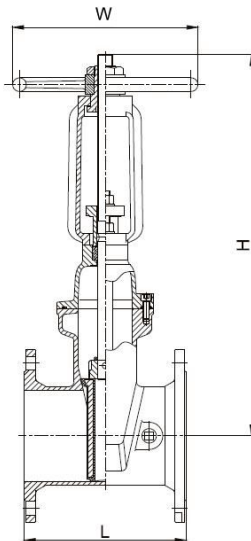
16.1 Brass or Bronze Siamese

300PSI Rising Stem Resilient-Seated(OS&Y) Gate Valve

Fire Protection Valves



- Design and Manufacture Conform to AWWA C515
- Flange dimensions Conform to ASME B16.1, Class 125
- Face to Face dimensions Conform to ASME B16.10
- Testing Conform to FM1120
- FM Approved 300PSI Rating

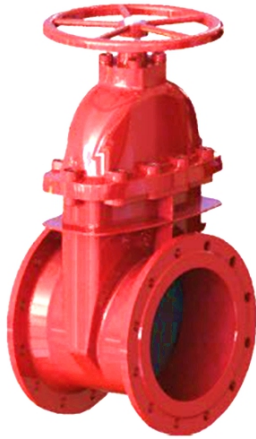


MATERIALS

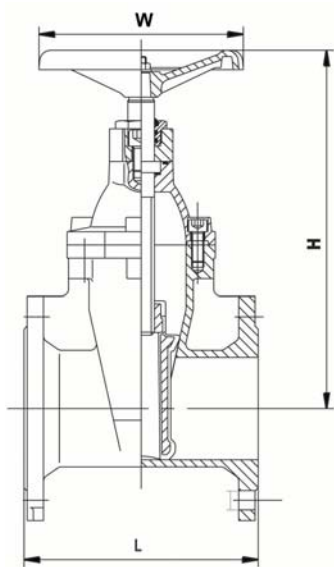
PART NAME	MATERIAL
BODY	ASTM A536 65-45-12
WEDGE	ASTM A536 65-45-12+EPDM
STEM	SS431/SS304/SS316/Bronze
BONNET	ASTM A536 65-45-12
PACKING	PTFE
PACKING GLAND	ASTM A536 65-45-12
YOKE	ASTM A536 65-45-12
STEM NUT	Bronze
STEM NUT BUSHING	Bronze
HANDWHEEL	ASTM A536 65-45-12
HANDWHEEL NUT	Bronze/Brass/Carbon Steel

DIMENSIONS(mm)

NPS	DN	L	D	K	b	n-d	H	W
2	50	178	152	120.7	15.8	4-19	301	180
2.5	65	191	178	139.7	17.5	4-19	341	180
3	80	203	191	152.4	19	4-19	371	180
4	100	229	229	190.5	23.9	8-19	451	254
5	125	254	254	215.9	23.9	8-22	529	254
6	150	267	279	241.3	25.4	8-22	583	300
8	200	292	343	298.5	28.5	8-22	751	356
10	250	330	406	362	30.2	12-25	897	406
12	300	356	483	431.8	31.8	12-25	1053	406



- Design and Manufacture Conform to AWWA C515
- Flange dimensions Conform to ASME B16.1, Class 125
- Face to Face dimensions Conform to ASME B16.10
- Testing Conform to AWWA C515
- Working Pressure 300PSI


MATERIALS

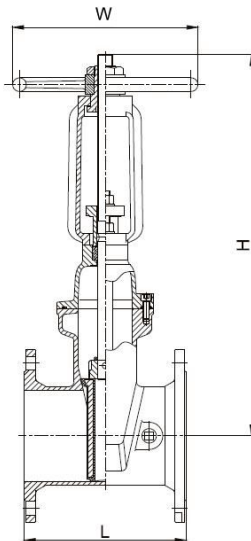
PART NAME	MATERIAL
BODY	ASTM A536 65-45-12
WEDGE	ASTM A536 65-45-12+EPDM
STEM	SS431/SS304/SS316/Bronze
BONNET	ASTM A536 65-45-12
UPPER COVER	ASTM A536 65-45-12
STEM NUT	Bronze
HANDWHEEL	ASTM A536 65-45-12

DIMENSIONS(mm)

NPS	DN	L	D	K	b	n-d	H	W
2	50	178	152	120.7	15.8	4-19	240	180
2.5	65	191	178	139.7	17.5	4-19	255	180
3	80	203	191	152.4	19	4-19	280	180
4	100	229	229	190.5	23.9	8-19	305	254
5	125	254	254	215.9	23.9	8-22	380	254
6	150	267	279	241.3	25.4	8-22	417	300
8	200	292	343	298.5	28.5	8-22	525	356
10	250	330	406	362	30.2	12-25	620	406
12	300	356	483	431.8	31.8	12-25	710	406



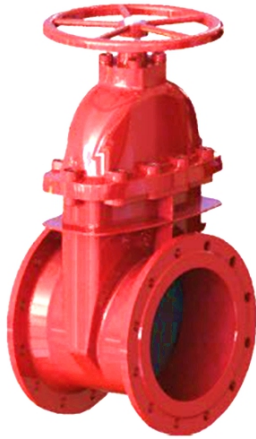
- Design and Manufacture Conform to BS5163
- Flange dimensions Conform to EN1092-2,PN16
- Face to Face dimensions Conform to EN558,S03
- Testing Conform to BS5163
- Working Pressure PN16


MATERIALS

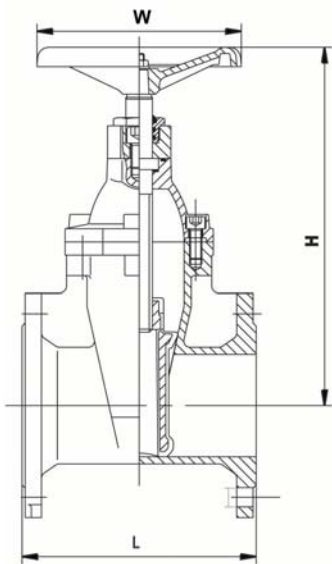
PART NAME	MATERIAL
BODY	EN1563 EN-JS1040
WEDGE	EN1563 EN-JS1040+EPDM
STEM	SS431/SS304/SS316/Bronze
BONNET	EN1563 EN-JS1040
PACKING	PTFE
PACKING GLAND	EN1563 EN-JS1040
YOKE	EN1563 EN-JS1040
STEM NUT	Bronze
STEM NUT BUSHING	Bronze
HANDWHEEL	EN1563 EN-JS1040
HANDWHEEL NUT	Bronze/Brass/Carbon Steel

DIMENSIONS(mm)

NPS	DN	L	D	K	b	n-d	H	W
2	50	178	165	125	19	4-19	301	180
2.5	65	191	185	145	19	4-19	341	180
3	80	203	200	160	19	8-19	371	180
4	100	229	220	180	19	8-19	451	254
5	125	254	250	210	19	8-19	529	254
6	150	267	285	240	19	8-23	583	300
8	200	292	340	295	20	12-23	751	356
10	250	330	400	355	22	12-28	897	406
12	300	356	455	410	24.5	12-28	1053	406



- Design and Manufacture Conform to BS5163
- Flange dimensions Conform to EN1092-2,PN16
- Face to Face dimensions Conform to EN558,S03
- Testing Conform to BS5163
- Working Pressure PN16


MATERIALS

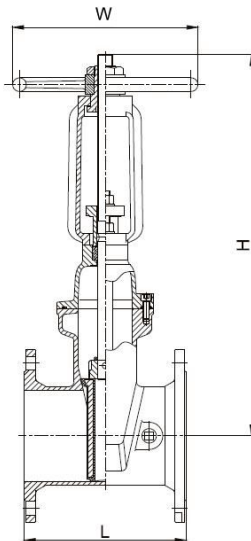
PART NAME	MATERIAL
BODY	EN1563 EN-JS1040
WEDGE	EN1563 EN-JS1040+EPDM
STEM	SS431/SS304/SS316/Bronze
BONNET	EN1563 EN-JS1040
UPPER COVER	EN1563 EN-JS1040
STEM NUT	Bronze
HANDWHEEL	EN1563 EN-JS1040

DIMENSIONS(mm)

NPS	DN	L	D	K	b	n-d	H	W
2	50	178	165	125	19	4-19	240	180
2.5	65	191	185	145	19	4-19	255	180
3	80	203	200	160	19	8-19	280	180
4	100	229	220	180	19	8-19	305	254
5	125	254	250	210	19	8-19	380	254
6	150	267	285	240	19	8-23	417	300
8	200	292	340	295	20	12-23	525	356
10	250	330	400	355	22	12-28	620	406
12	300	356	455	410	24.5	12-28	710	406



- Design and Manufacture Conform to DIN EN 1171
- Flange dimensions Conform to EN1092-2,PN16
- Face to Face dimensions Conform to EN558,S14
- Testing Conform to FM1120
- FM Approved PN16 Rating



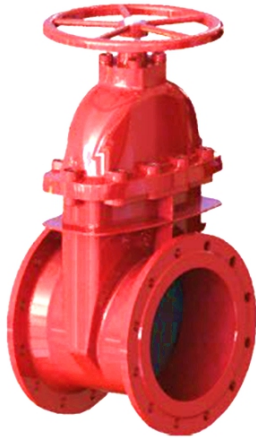
MATERIALS

PART NAME	MATERIAL
BODY	EN1563 EN-JS1040
WEDGE	EN1563 EN-JS1040+EPDM
STEM	SS431/SS304/SS316/Bronze
BONNET	EN1563 EN-JS1040
PACKING	PTFE
PACKING GLAND	EN1563 EN-JS1040
YOKE	EN1563 EN-JS1040
STEM NUT	Bronze
STEM NUT BUSHING	Bronze
HANDWHEEL	EN1563 EN-JS1040
HANDWHEEL NUT	Bronze/Brass/Carbon Steel

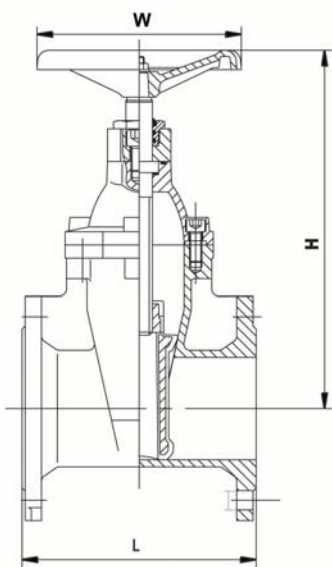
DIMENSIONS(mm)

NPS	DN	L	D	K	b	n-d	H	W
2	50	150	165	125	19	4-19	301	180
2.5	65	170	185	145	19	4-19	341	180
3	80	180	200	160	19	8-19	371	180
4	100	190	220	180	19	8-19	451	254
5	125	200	250	210	19	8-19	529	254
6	150	210	285	240	19	8-23	583	300
8	200	230	340	295	20	12-23	751	356
10	250	250	400	355	22	12-28	897	406
12	300	270	455	410	24.5	12-28	1053	406

DIN PN16 Non-Rising Stem Resilient-Seated(NRS) Gate Valve Fire Protection Valves



- Design and Manufacture Conform to DIN EN 1171
- Flange dimensions Conform to EN1092-2,PN16
- Face to Face dimensions Conform to EN558,S14
- Testing Conform to DIN EN 1171
- Working Pressure PN16



MATERIALS

PART NAME	MATERIAL
BODY	EN1563 EN-JS1040
WEDGE	EN1563 EN-JS1040+EPDM
STEM	SS431/SS304/SS316/Bronze
BONNET	EN1563 EN-JS1040
UPPER COVER	EN1563 EN-JS1040
STEM NUT	Bronze
HANDWHEEL	EN1563 EN-JS1040

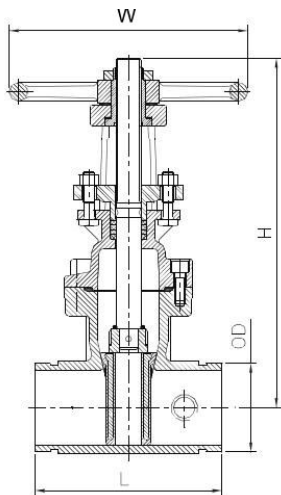
DIMENSIONS(mm)

NPS	DN	L	D	K	b	n-d	H	W
2	50	150	165	125	19	4-19	240	180
2.5	65	170	185	145	19	4-19	255	180
3	80	180	200	160	19	8-19	280	180
4	100	190	220	180	19	8-19	305	254
5	125	200	250	210	19	8-19	380	254
6	150	210	285	240	19	8-23	417	300
8	200	230	340	295	20	12-23	525	356
10	250	250	400	355	22	12-28	620	406
12	300	270	455	410	24.5	12-28	710	406

Rising Stem Resilient-Seated(OS&Y) Gate Valve(Grooved End) Fire Protection Valves



- Design and Manufacture Conform to AWWA C515
- Groove dimensions Conform to AWWA C606
- Face to Face dimensions Conform to ASME B16.10
- Testing Conform to FM1120
- FM Approved 300PSI Rating



MATERIALS

PART NAME	MATERIAL
BODY	ASTM A536 65-45-12
WEDGE	ASTM A536 65-45-12+EPDM
STEM	SS431/SS304/SS316/Bronze
BONNET	ASTM A536 65-45-12
PACKING	PTFE
PACKING GLAND	ASTM A536 65-45-12
YOKE	ASTM A536 65-45-12
STEM NUT	Bronze
STEM NUT BUSHING	Bronze
HANDWHEEL	ASTM A536 65-45-12
HANDWHEEL NUT	Bronze/Brass/Carbon Steel

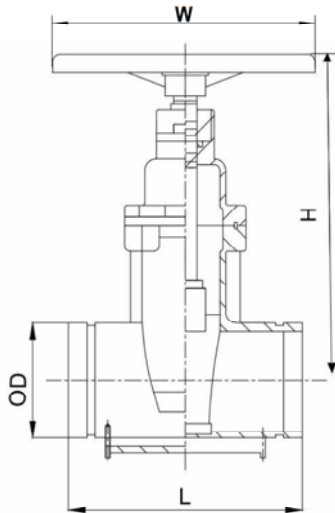
DIMENSIONS(mm)

NPS	DN	L	OD	A	B	H	W
2	50	178	60.3	15.88	7.93	301	180
2.5	65	191	73/76.1	15.88	7.93	341	180
3	80	203	88.9	15.88	7.93	371	180
4	100	229	114.3	15.88	9.53	451	254
6	150	267	165.1/168.3	15.88	9.53	583	300
8	200	292	219.1	19.05	11.1	751	356
10	250	330	273	19.05	12.7	897	406
12	300	356	323.9	19.05	12.7	1053	406

Non-Rising Stem Resilient-Seated(NRS) Gate Valve(Grooved End)Fire Protection Valves



- Design and Manufacture Conform to AWWA C515
- Groove dimensions Conform to AWWA C606
- Face to Face dimensions Conform to ASME B16.10
- Testing Conform to AWWA C515
- Working Pressure 300PSI



MATERIALS

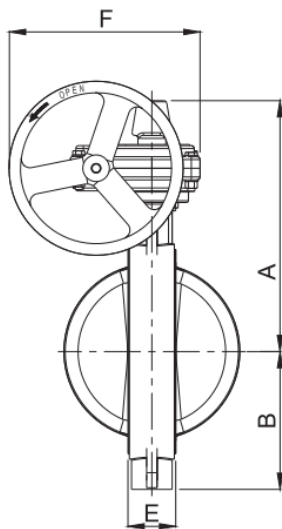
PART NAME	MATERIAL
BODY	ASTM A536 65-45-12
WEDGE	ASTM A536 65-45-12+EPDM
STEM	SS431/SS304/SS316/Bronze
BONNET	ASTM A536 65-45-12
UPPER COVER	ASTM A536 65-45-12
STEM NUT	Bronze
HANDWHEEL	ASTM A536 65-45-12

DIMENSIONS(mm)

NPS	DN	L	OD	A	B	H	W
2	50	178	60.3	15.88	7.93	240	180
2.5	65	191	73/76.1	15.88	7.93	255	180
3	80	203	88.9	15.88	7.93	280	180
4	100	229	114.3	15.88	9.53	305	254
6	150	267	165.1/168.3	15.88	9.53	417	300
8	200	292	219.1	19.05	11.1	525	356
10	250	330	273	19.05	12.7	620	406
12	300	356	323.9	19.05	12.7	710	406



- Design and Manufacture Conform to AWWA/EN
- Connected Flange dimensions Conform to ASME B16.1 Class125 and EN1092-2 PN10/16
- Face to Face dimensions Conform to ASME B16.10/EN558,S20
- Testing Conform to AWWA C504/EN593
- Working Pressure 300PSI/PN10/PN16



MATERIALS

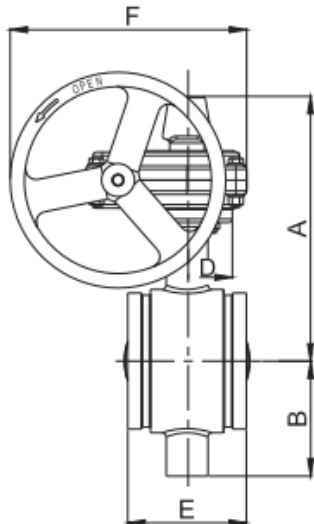
PART NAME	MATERIAL
BODY	ASTM A536 65-45-12
DISC	ASTM A536 65-45-12+EPDM
STEM	SS431/SS304/SS316/SS420
HOUSING	ASTM A536 65-45-12

DIMENSIONS(mm)

NPS	DN	A	B	E	F
2	50	230	74	43	190
2.5	65	240	85	46	190
3	80	250	95	46	190
4	100	265	115	52	190
5	125	280	130	56	215
6	150	295	145	56	215
8	200	360	170	60	280
10	250	410	210	68	280
12	300	435	240	79	280



- Design and Manufacture Conform to AWWA C504
- Groove dimensions Conform to AWWA C606
- Face to Face dimensions Conform to MSS-SP70
- Testing Conform to AWWA C504/EN593
- Working Pressure 300PSI



MATERIALS

PART NAME	MATERIAL
BODY	ASTM A536 65-45-12
DISC	ASTM A536 65-45-12+EPDM
STEM	SS431/SS304/SS316/SS420
HOUSING	ASTM A536 65-45-12

DIMENSIONS(mm)

NPS	DN	A	B	E	F
2	50	220	77	84	190
2.5	65	230	85	97	190
3	80	235	90	97	190
4	100	265	110	116	190
5	125	285	120	148	215
6	150	305	145	148	215
8	200	360	180	133	280
10	250	410	230	159	280
12	300	435	260	165	280

300PSI Bronze Butterfly Valve(Grooved)

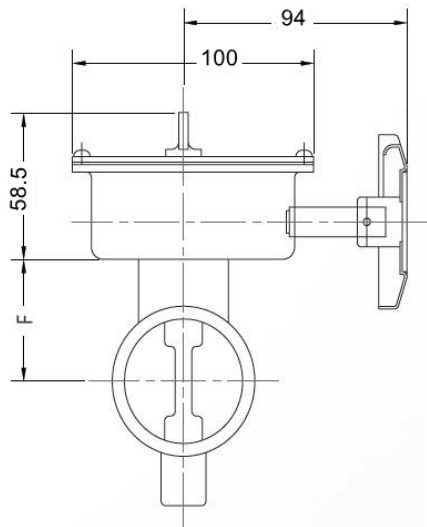
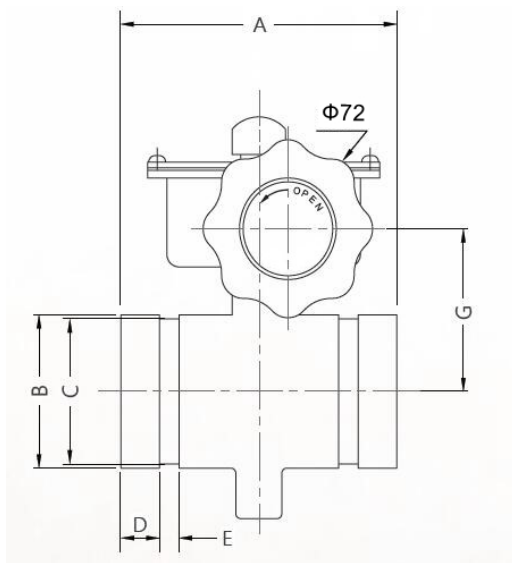
Fire Protection Valves



- Groove Dimensions Conform to AWWA C606
- Working Pressure 300PSI
- Application: Indoor and Outdoor Use
- Factory-Installed Supervisory Tamper Switch Assembly

MATERIALS

PART NAME	MATERIAL
BODY	Bronze
DISC	Bronze/SS304+EPDM
INDICATOR	SS304/Brass/Steel
HOUSING	Steel
HANDWHEEL	Steel
STEM	SS431/SS630



DIMENSIONS(mm)

NPS	DN	A	B	C	D	E	F	G
1	25	86	33.7	30.23	15.88	7.93	37	52
1-1/4	32	99	42.4	38.99	15.88	7.93	41	56
1-1/2	40	104	48.3	45.09	15.88	7.93	44	59
2	50	114	60.3	57.15	15.88	7.93	49	64
2-1/2	65	114	73.0	69.09	15.88	7.93	60	75
3	80	114	88.9	84.94	15.88	7.93	70	98.5

300PSI Bronze Butterfly Valve(Threaded)

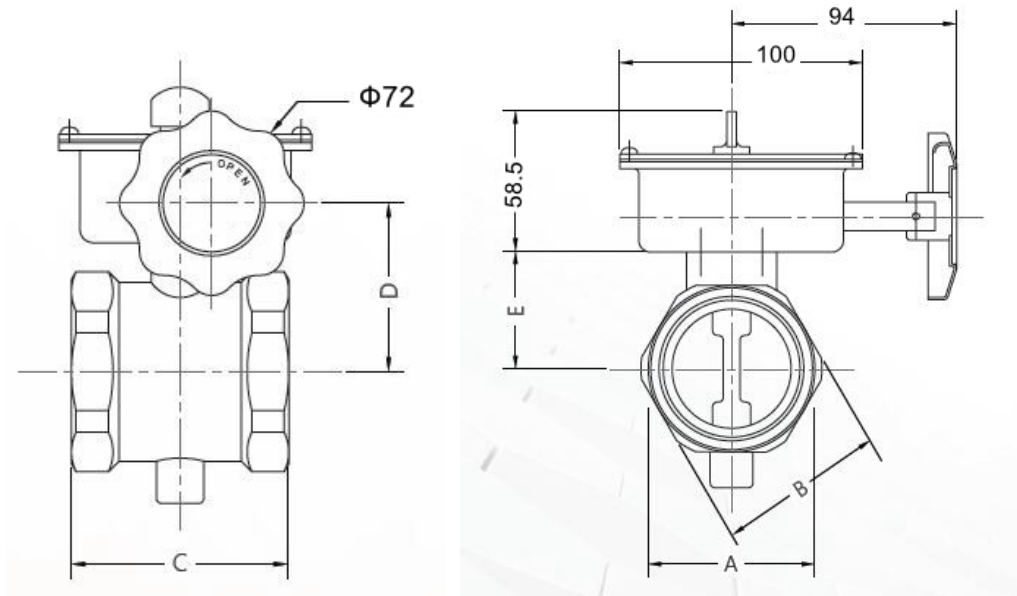
Fire Protection Valves



- Threaded Dimensions Conform to ANSI/ASME B1.20.1 NPT
- Working Pressure 300PSI
- Application: Indoor and Outdoor Use
- Factory-Installed Supervisory Tamper Switch Assembly

MATERIALS

PART NAME	MATERIAL
BODY	Bronze
DISC	Bronze/SS304+EPDM
INDICATOR	SS304/Brass/Steel
HOUSING	Steel
HANDWHEEL	Steel
STEM	SS431/SS630



DIMENSIONS(mm)

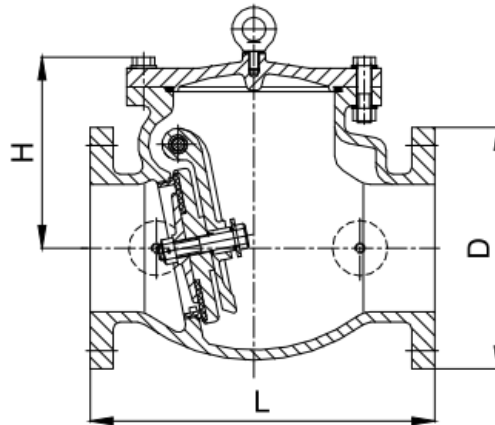
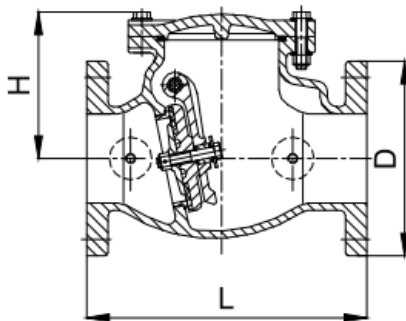
NPS	DN	A	B	C	D	E
1	25	43.7	39.7	54.0	52.0	37.0
1-1/4	32	54.0	49.0	67.0	56.0	41.0
1-1/2	40	60.0	56.0	73.0	59.0	61.3
2	50	76.0	70.0	82.4	64.0	49.0
2-1/2	65	90.0	84.0	104.0	69.5	54.5



- Design and Manufacture Conform to AWWA C508
- Flange dimensions Conform to ASME B16.1, Class125
- Face to Face dimensions Conform to ASME B16.10
- Testing Conform to AWWA C508
- Working Pressure 300PSI

MATERIALS

PART NAME	MATERIAL
BODY	ASTM A536 65-45-12
COVER	ASTM A536 65-45-12
CLAPPER	ASTM A536 65-45-12+EPDM
CLAPPER ARM	ASTM A536 65-45-12
HINGE PIN	SS431/SS304/SS316/SS420
SEAT	Bronze/SS304



DIMENSIONS(mm)

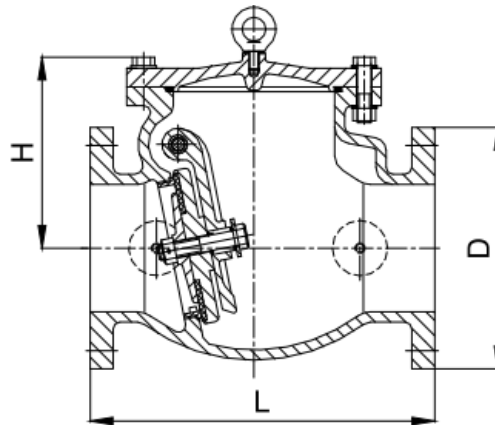
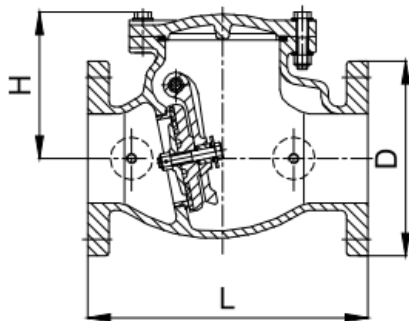
NPS	DN	L	D	K	b	n-d	H
2	50	203	152	120.7	15.8	4-19	133
2.5	65	254	178	139.7	17.5	4-19	150
3	80	278	191	152.4	19	4-19	180
4	100	330	229	190.5	23.9	8-19	218
6	150	406	279	241.3	25.4	8-22	290
8	200	495	343	298.5	28.5	8-22	330
10	250	600	406	362	30.2	12-25	350
12	300	620	483	431.8	31.8	12-25	376



- Design and Manufacture Conform to BS5153
- Flange dimensions Conform to EN1092-2, PN16
- Face to Face dimensions Conform to EN558
- Testing Conform to BS5153
- Working Pressure PN16

MATERIALS

PART NAME	MATERIAL
BODY	EN1563 EN-JS1040
COVER	EN1563 EN-JS1040
CLAPPER	EN1563 EN-JS1040+EPDM
CLAPPER ARM	EN1563 EN-JS1040
HINGE PIN	SS431/SS304/SS316/SS420
SEAT	Bronze/SS304



DIMENSIONS(mm)

NPS	DN	L	D	K	b	n-d	H
2	50	203	165	125	19	4-19	133
2.5	65	254	185	145	19	4-19	150
3	80	278	200	160	19	8-19	180
4	100	330	220	180	19	8-19	218
6	150	406	285	240	19	8-23	290
8	200	495	340	295	20	12-23	330
10	250	600	400	355	22	12-28	350
12	300	620	455	410	24.5	12-28	376

300PSI Resilient-Seated Swing Check Valve(Grooved End)

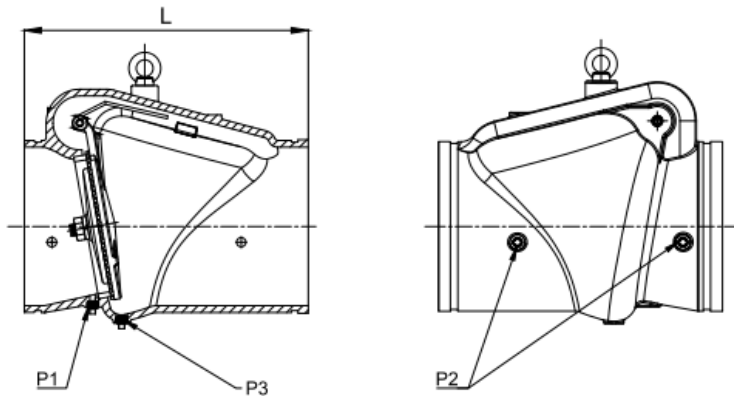
Fire Protection Valves

- Design and Manufacture Conform to AWWA/BS
- Groove dimensions Conform to AWWA C606
- Testing Conform to AWWA C508
- Working Pressure 300PSI



MATERIALS

PART NAME	MATERIAL
BODY	ASTM A536 65-45-12
DISC	ASTM A536 65-45-12/SS304 +EPDM
ARM	ASTM A536 65-45-12/SS304
HINGE PIN	SS431/SS304/SS316/SS420
SEAT	Bronze/SS304

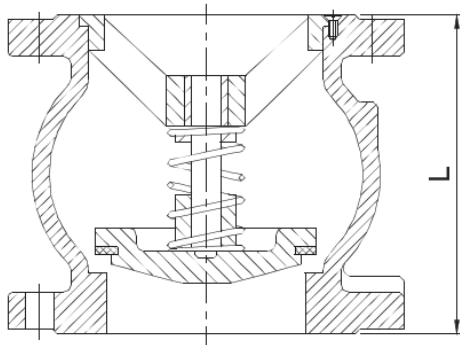


DIMENSIONS(mm)

NPS	DN	L	OD	A	B	P1	P2	P3
2	50	171	60.3	15.88	7.93	1/2	3/8	1/2
2.5	65	184	73.0/76.1	15.88	7.93	1/2	3/8	1/2
3	80	197	88.9	15.88	7.93	1/2	3/8	1/2
4	100	210	114.3	15.88	9.53	1/2	1/2	1/2
5	125	248	139.7/141.3	15.88	9.53	1/2	1/2	1/2
6	150	324	165.1/168.3	15.88	9.53	1/2	1/2	1/2
8	200	371	219.1	19.05	11.1	1/2	1/2	1/2
10	250	457	273.0	19.05	12.7	1/2	1/2	1/2
12	300	535	323.9	19.05	12.7	1/2	1/2	1/2



- Flange dimensions Conform to ASME B16.1, Class125
- Working Pressure 300PSI



MATERIALS

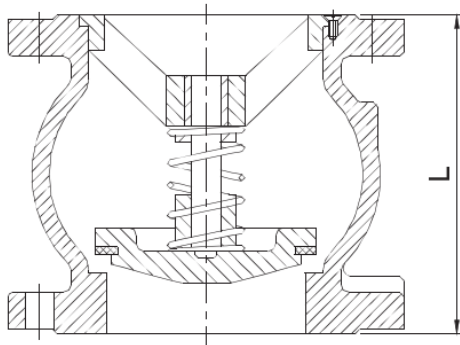
PART NAME	MATERIAL
BODY	ASTM A536 65-45-12
SEAT	Bronze/SS304
DISC	ASTM A536 65-45-12+EPDM
STEM	SS431/SS304/SS316/SS420
SPRING	SS304

DIMENSIONS(mm)

NPS	DN	L	D	K	b	n-d
2	50	100	152	120.7	15.8	4-19
2.5	65	120	178	139.7	17.5	4-19
3	80	140	191	152.4	19	4-19
4	100	170	229	190.5	23.9	8-19
5	125	200	254	215.9	23.9	8-22
6	150	230	279	241.3	25.4	8-22
8	200	288	343	298.5	28.5	8-22
10	250	254	406	362	30.2	12-25
12	300	410	483	431.8	31.8	12-25



- Flange dimensions Conform to EN1092-2,PN16
- Working Pressure PN16



MATERIALS

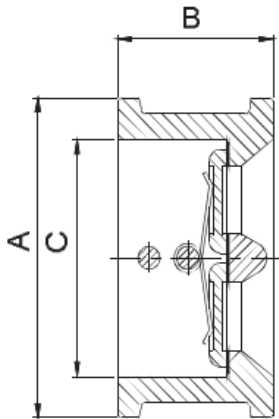
PART NAME	MATERIAL
BODY	EN1563 EN-JS1040
SEAT	Bronze/SS304
DISC	EN1563 EN-JS1040+EPDM
STEM	SS431/SS304/SS316/SS420
SPRING	SS304

DIMENSIONS(mm)

NPS	DN	L	D	K	b	n-d
2	50	100	165	125	19	4-19
2.5	65	120	185	145	19	4-19
3	80	140	200	160	19	8-19
4	100	170	220	180	19	8-19
5	125	200	250	210	19	8-19
6	150	230	285	240	19	8-23
8	200	288	340	295	20	12-23
10	250	254	400	355	22	12-28
12	300	410	455	410	24.5	12-28



- Connected Flange dimensions Conform to ASME B16.1, Class125
- Working Pressure 300PSI



MATERIALS

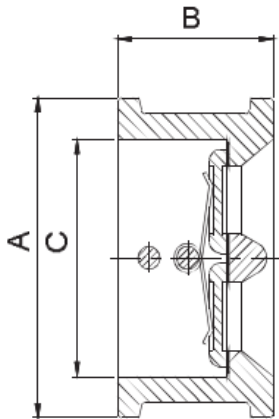
PART NAME	MATERIAL
BODY	ASTM A536 65-45-12
HINGE PIN	SS431/SS304/SS316/SS420
DISC	SS304+EPDM
WASHER	PTFE
SPRING	SS304

DIMENSIONS(mm)

NPS	DN	A	B
2	50	102	54
2.5	65	121	54
3	80	134	57
4	100	172	64
5	125	194	70
6	150	220	76
8	200	277	95
10	250	337	108
12	300	407	143



- Connected Flange dimensions Conform to EN1092-2 PN16
- Working Pressure PN16



MATERIALS

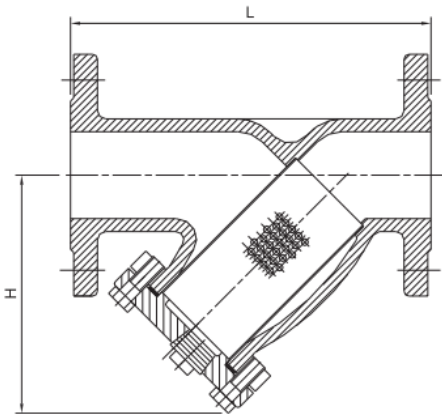
PART NAME	MATERIAL
BODY	EN1563 EN-JS1040
HINGE PIN	SS431/SS304/SS316/SS420
DISC	SS304+EPDM
WASHER	PTFE
SPRING	SS304

DIMENSIONS(mm)

NPS	DN	A	B
2	50	106	54
2.5	65	126	54
3	80	141	57
4	100	161	64
5	125	191	70
6	150	217	76
8	200	272	95
10	250	327	108
12	300	382	143



- Flange dimensions Conform to ASME B16.1, Class125
- Working Pressure 300PSI



MATERIALS

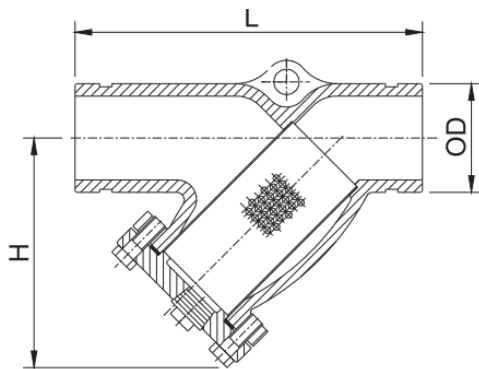
PART NAME	MATERIAL
BODY	ASTM A536 65-45-12
COVER	ASTM A536 65-45-12
SCREEN	SS304

DIMENSIONS(mm)

NPS	DN	L	D	K	b	n-d	H
2	50	230	152	120.7	15.8	4-19	149
2.5	65	273	178	139.7	17.5	4-19	180
3	80	295	191	152.4	19	4-19	203
4	100	352	229	190.5	23.9	8-19	244
5	125	416	254	215.9	23.9	8-22	285
6	150	470	279	241.3	25.4	8-22	324
8	200	543	343	298.5	28.5	8-22	393
10	250	660	406	362	30.2	12-25	473
12	300	770	483	431.8	31.8	12-25	554



- Groove dimensions Conform to AWWA C606
- Working Pressure 300PSI



MATERIALS

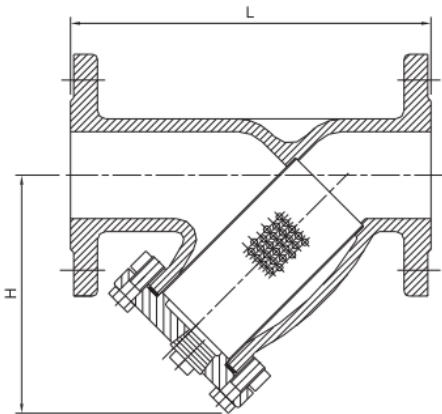
PART NAME	MATERIAL
BODY	ASTM A536 65-45-12
COVER	ASTM A536 65-45-12
SCREEN	SS304

DIMENSIONS(mm)

NPS	DN	L	OD	A	B	H
2	50	225	60.3	15.88	7.93	152
2.5	65	285	73.0/76.1	15.88	7.93	215
3	80	318	88.9	15.88	7.93	219
4	100	375	114.3	15.88	9.53	254
5	125	448	139.7/141.3	15.88	9.53	322
6	150	502	165.1/168.3	15.88	9.53	365
8	200	640	219.1	19.05	11.1	462
10	250	710	273.0	19.05	12.7	540
12	300	780	323.9	19.05	12.7	610



- Flange dimensions Conform to EN1092-2,PN16
- Working Pressure PN16



MATERIALS

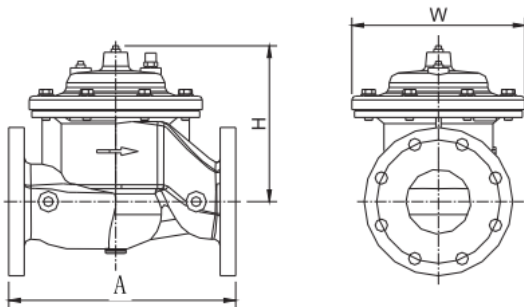
PART NAME	MATERIAL
BODY	EN1563 EN-JS1040
COVER	EN1563 EN-JS1040
SCREEN	SS304

DIMENSIONS(mm)

NPS	DN	L	D	K	b	n-d	H
2	50	230	165	125	19	4-19	149
2.5	65	273	185	145	19	4-19	180
3	80	295	200	160	19	8-19	203
4	100	352	220	180	19	8-19	244
5	125	416	250	210	19	8-19	285
6	150	470	285	240	19	8-23	324
8	200	543	340	295	20	12-23	393
10	250	660	400	355	22	12-28	473
12	300	770	455	410	24.5	12-28	554



- Flange dimensions Conform to ASME B16.1, Class125
- Constant outlet pressure over flow range
- Pilot-operated main valve not subject to pressure fall off
- Outlet pressure is adjustable with single screw
- Adjustable opening/response speed
- Stabilized regulation at near-zero flow
- Working Pressure 300PSI



MATERIALS

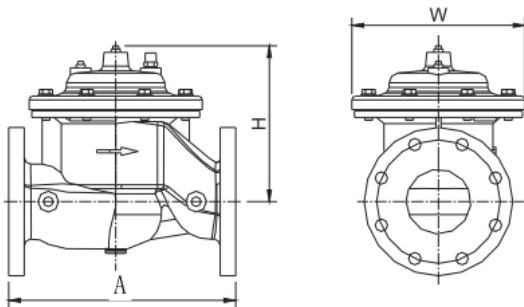
PART NAME	MATERIAL
BODY	ASTM A536 65-45-12
BONNET	ASTM A536 65-45-12
SEAT	SS304
STEM	SS431/SS304/SS316/SS420
DIAPHRAGM	Nylon Reinforced Natural EPDM
PILOT	Bronze/SS304

DIMENSIONS(mm)

NPS	DN	A	D	K	b	n-d	H	W
2	50	230	152	120.7	15.8	4-19	200	270
2.5	65	290	178	139.7	17.5	4-19	216	290
3	80	310	191	152.4	19	4-19	265	305
4	100	350	229	190.5	23.9	8-19	290	320
6	150	480	279	241.3	25.4	8-22	390	370
8	200	600	343	298.5	28.5	8-22	470	420
10	250	730	406	362	30.2	12-25	570	470
12	300	850	483	431.8	31.8	12-25	690	520



- Flange dimensions Conform to EN1092-2,PN16
- Constant outlet pressure over flow range
- Pilot-operated main valve not subject to pressure fall off
- Outlet pressure is adjustable with single screw
- Adjustable opening/response speed
- Stabilized regulation at near-zero flow
- Working Pressure PN16



MATERIALS

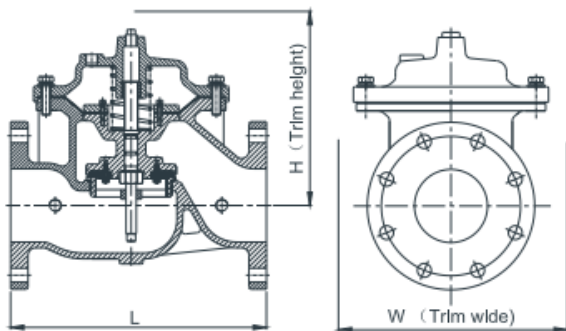
PART NAME	MATERIAL
BODY	EN1563 EN-JS1040
BONNET	EN1563 EN-JS1040
SEAT	SS304
STEM	SS431/SS304/SS316/SS420
DIAPHRAGM	Nylon Reinforced Natural EPDM
PILOT	Bronze/SS304

DIMENSIONS(mm)

NPS	DN	A	D	K	b	n-d	H	W
2	50	230	165	125	19	4-19	200	270
2.5	65	290	185	145	19	4-19	216	290
3	80	310	200	160	19	8-19	265	305
4	100	350	220	180	19	8-19	290	320
6	150	480	285	240	19	8-23	390	370
8	200	600	340	295	20	12-23	470	420
10	250	730	400	355	22	12-28	570	470
12	300	850	455	410	24.5	12-28	690	520



- Flange dimensions Conform to ASME B16.1, Class125
- Inlet pressure adjustment range:65-180PSI
- Quick opening and adjustable closing speed
- Prevents pipe line pressure from rising to maximum valve
- Working Pressure 300PSI



MATERIALS

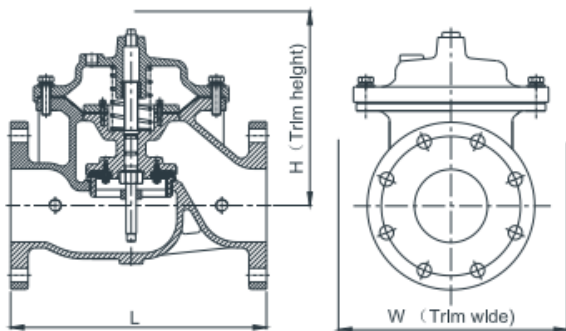
PART NAME	MATERIAL
BODY	ASTM A536 65-45-12
BONNET	ASTM A536 65-45-12
SEAT	SS304
STEM	SS431/SS304/SS316/SS420
DIAPHRAGM	Nylon Reinforced Natural EPDM
PILOT	Bronze/SS304

DIMENSIONS(mm)

NPS	DN	L	D	K	b	n-d	H	W
2	50	230	152	120.7	15.8	4-19	200	420
2.5	65	290	178	139.7	17.5	4-19	216	440
3	80	310	191	152.4	19	4-19	265	455
4	100	350	229	190.5	23.9	8-19	310	470
6	150	480	279	241.3	25.4	8-22	380	540
8	200	600	343	298.5	28.5	8-22	450	590
10	250	730	406	362	30.2	12-25	570	640
12	300	850	483	431.8	31.8	12-25	690	690



- Flange dimensions Conform to EN1092-2,PN16
- Inlet pressure adjustment range:0.035-1.25MPa
- Quick opening and adjustable closing speed
- Prevents pipe line pressure from rising to maximum valve
- Working Pressure PN16



MATERIALS

PART NAME	MATERIAL
BODY	EN1563 EN-JS1040
BONNET	EN1563 EN-JS1040
SEAT	SS304
STEM	SS431/SS304/SS316/SS420
DIAPHRAGM	Nylon Reinforced Natural EPDM
PILOT	Bronze/SS304

DIMENSIONS(mm)

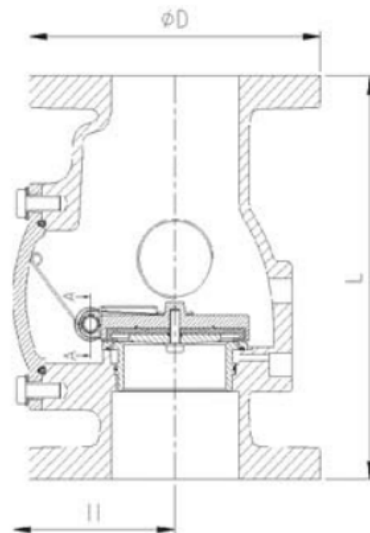
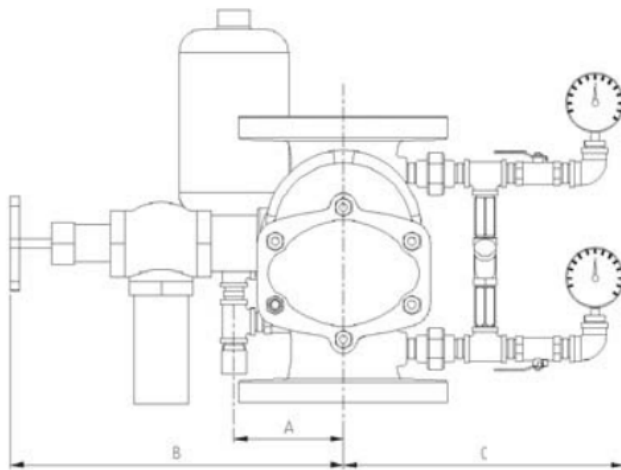
NPS	DN	L	D	K	b	n-d	H	W
2	50	230	165	125	19	4-19	200	420
2.5	65	290	185	145	19	4-19	216	440
3	80	310	200	160	19	8-19	265	455
4	100	350	220	180	19	8-19	310	470
6	150	480	285	240	19	8-23	380	540
8	200	600	340	295	20	12-23	450	590
10	250	730	400	355	22	12-28	570	640
12	300	850	455	410	24.5	12-28	690	690



- Flange dimensions Conform to ASME B16.1, Class125
- Working Pressure 300PSI

MATERIALS

PART NAME	MATERIAL
BODY	ASTM A536 65-45-12
COVER	ASTM A536 65-45-12
DISC	ASTM A536 65-45-12
SEAT	Bronze/SS304
SHAFT	SS431/SS304/SS316/SS420
SPRING	SS304
BEARING BUSH	Bronze/Brass



DIMENSIONS(mm)

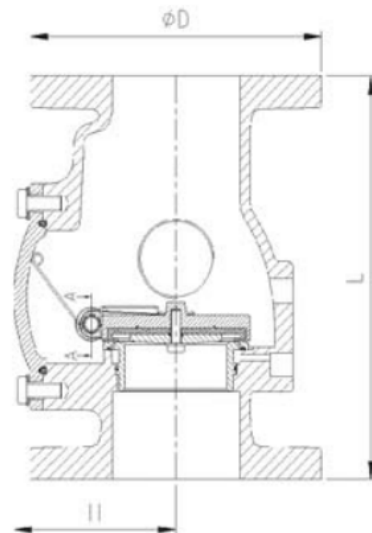
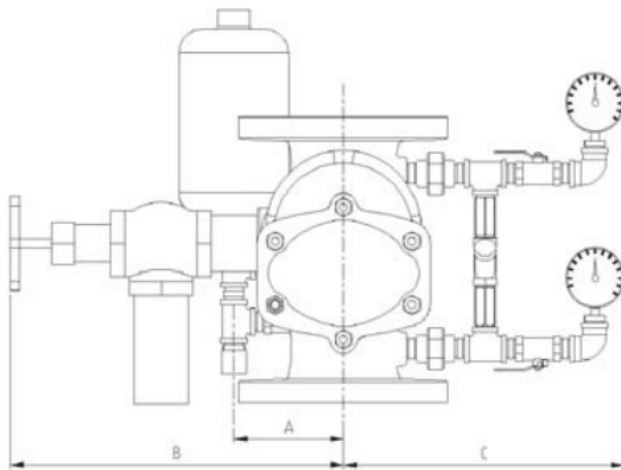
NPS	DN	L	A	B	C	D	K	b	n-d	H
3	80	283	120	296	300	191	152.4	19	4-19	120
4	100	305	120	365	305	229	190.5	23.9	8-19	127.5
6	150	394	120	402	330	279	241.3	25.4	8-22	182
8	200	457	120	424	365	343	298.5	28.5	8-22	214



- Flange dimensions Conform to EN1092-2,PN16
- Working Pressure PN16

MATERIALS

PART NAME	MATERIAL
BODY	EN1563 EN-JS1040
COVER	EN1563 EN-JS1040
DISC	EN1563 EN-JS1040
SEAT	Bronze/SS304
SHAFT	SS431/SS304/SS316/SS420
SPRING	SS304
BEARING BUSH	Bronze/Brass

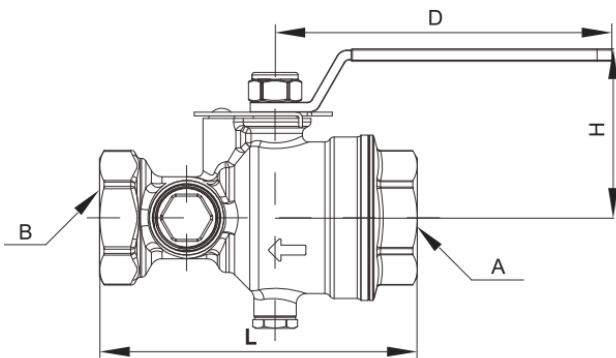


DIMENSIONS(mm)

NPS	DN	L	A	B	C	D	K	b	n-d	H
3	80	283	120	296	300	200	160	19	8-19	120
4	100	305	120	365	305	220	180	19	8-19	127.5
6	150	394	120	402	330	285	240	19	8-23	182
8	200	457	120	424	365	340	295	20	12-23	214



- Female thread, NPT or BSPT / grooved
- 175PSI



MATERIALS

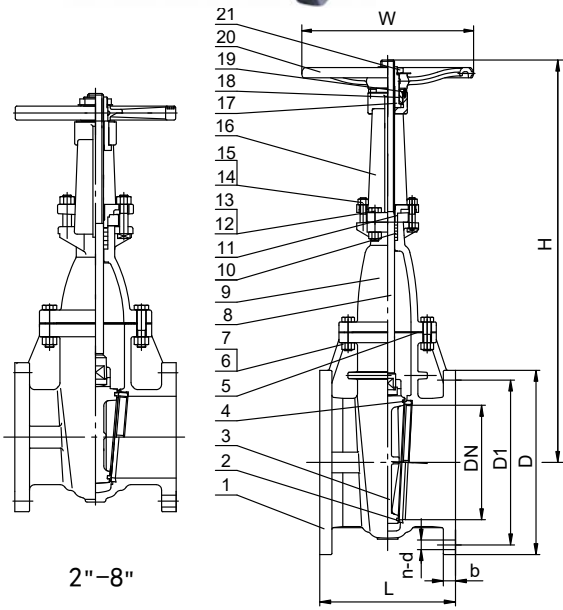
PART NAME	MATERIAL
BODY	Brass/Bronze
STEM	SS431/SS304/SS316/SS420
BALL	Brass/Chrome Plated
SEAL	PTFE
HANDLE	Carbon Steel

DIMENSIONS(mm)

NPS	DN	L	D	H	Inlet/Outlet
1	25	115	148.3	67	Threaded
1-1/4	32	123	148.3	71	Threaded
1-1/2	40	136	173.5	75	Threaded
2	50	153	173.5	79	Threaded
1-1/2	40	158	173.5	75	Grooved
2	50	170	173.5	79	Grooved

Rising Stem Cast Iron(RS) Gate Valve (2" ~12")

Gate Valves



2"-8"

10"-12"

It can be operated with bevel gear according to customer's requirement.

- Design and Manufacture Conform to MSS SP-70
- Flange dimensions Conform to ASME B16.1, Class125
- Face to Face dimensions Conform to ASME B16.10
- Testing Conform to MSS SP-70

MATERIALS

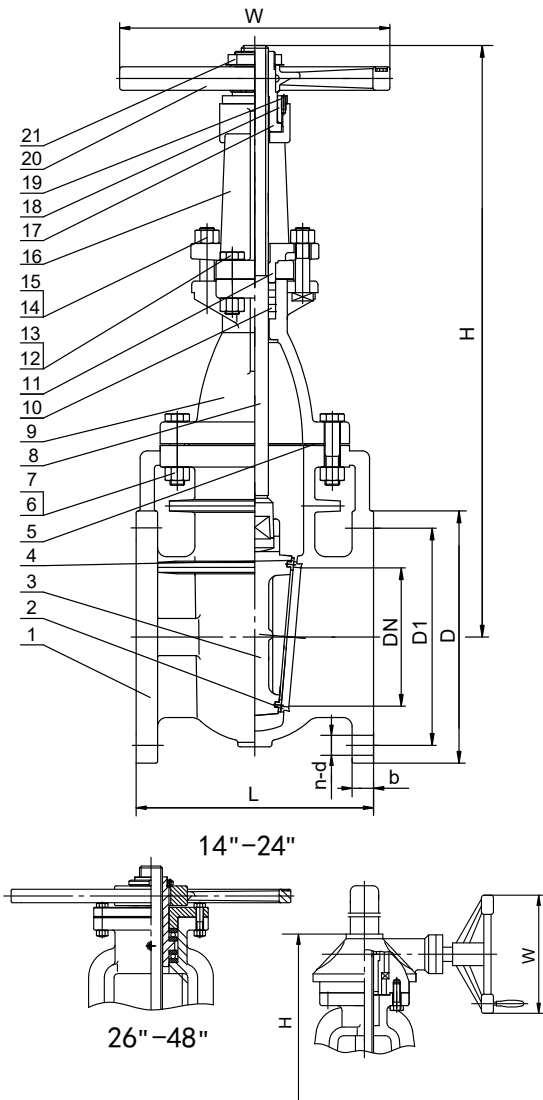
No.	PART NAME	MATERIAL
1	BODY	ASTM A126 B
2	SEAT RING	ASTM B62 or 13Cr
3	WEDGE	ASTM A126 B
4	WEDGE RING	ASTM B62 or 13Cr
5	BONNET GASKET	GRAPHITE+STEEL
6	BONNET BOLT	ASTM A307 B
7	BONNET NUT	ASTM A563
8	STEM	ASTM B16 or 13Cr
9	BONNET	ASTM A126 B
10	PACKING	GRAPHITE
11	PACKING GLAND	ASTM A536 65-45-12
12	YOKE BOLT	ASTM A307 B
13	YOKE NUT	ASTM A563
14	PACKING GLAND BOLT	ASTM A307 B
15	PACKING GLAND NUT	ASTM A563
16	YOKE	ASTM A126 B
17	STEM NUT	Mn-BRASS
18	STEM NUT BUSHING	ASTM A126 B
19	SCREW	ASTM A307 B
20	HANDWHEEL	ASTM A126 B
21	HANDWHEEL NUT	ASTM A536 65-45-12

DIMENSIONS(mm)

NPS	DN	L	D	D1	b	n-d	H	W
2	50	177.8	152	120.7	15.8	4-19	301	180
2.5	65	190.5	178	139.7	17.5	4-19	341	180
3	80	203.2	191	152.4	19	4-19	371	180
4	100	228.6	229	190.5	23.9	8-19	451	200
5	125	254	254	215.9	23.9	8-22	529	250
6	150	266.7	279	241.3	25.4	8-22	583	280
8	200	292.1	343	298.5	28.5	8-22	751	300
10	250	330.2	406	362	30.2	12-25	897	360
12	300	355.6	483	431.8	31.8	12-25	1053	400

Rising Stem Cast Iron(RS) Gate Valve (14" ~48")

Gate Valves



- Design and Manufacture Conform to MSS SP-70
- Flange dimensions Conform to ASME B16, Class125
- Face to Face dimensions Conform to ASME B16.10
- Testing Conform to MSS SP-70

MATERIALS

No.	PART NAME	MATERIAL
1	BODY	ASTM A126 B
2	SEAT RING	ASTM B62 or 13Cr
3	WEDGE	ASTM A126 B
4	WEDGE RING	ASTM B62 or 13Cr
5	BONNET GASKET	GRAPHITE+STEEL
6	BONNET BOLT	ASTM A307 B
7	BONNET NUT	ASTM A563
8	STEM	ASTM B16 or 13Cr
9	BONNET	ASTM A126 B
10	PACKING	GRAPHITE
11	PACKING GLAND	ASTM A536 65-45-12
12	YOKE BOLT	ASTM A307 B
13	YOKE NUT	ASTM A563
14	PACKING GLAND BOLT	ASTM A307 B
15	PACKING GLAND NUT	ASTM A563
16	YOKE	ASTM A126 B
17	STEM NUT	Mn-BRASS
18	STEM NUT BUSHING	ASTM A126 B
19	SCREW	ASTM A307 B
20	HANDWHEEL	ASTM A126 B
21	HANDWHEEL NUT	ASTM A536 65-45-12

It can be operated with bevel gear according to customers requirement.

DIMENSIONS(mm)

NPS	DN	L	D	D1	b	n-d	H	W
14	350	381	533	476.3	35	12-29	1264	505
16	400	406.4	597	539.8	36.6	16-29	1412	556
18	450	431.8	635	577.9	39.6	16-32	1572	610
20	500	457.2	699	635	42.9	20-32	1732	610
24	600	508	813	749.3	47.8	20-35	1972	765
28	700	660	927	863.6	52.3	28-35	2398	700
30	750	609.6	984	914.4	53.9	28-35	2563	700
32	800	744	1060	977.9	56.1	28-41	2696	800
36	900	711.2	1168	1086	60.5	32-41	2990	800
40	1000	866	1289	1200	63	36-41	3238	530
48	1200	990.6	1511	1422.4	69.9	44-41	3903	600

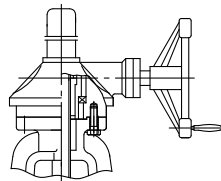
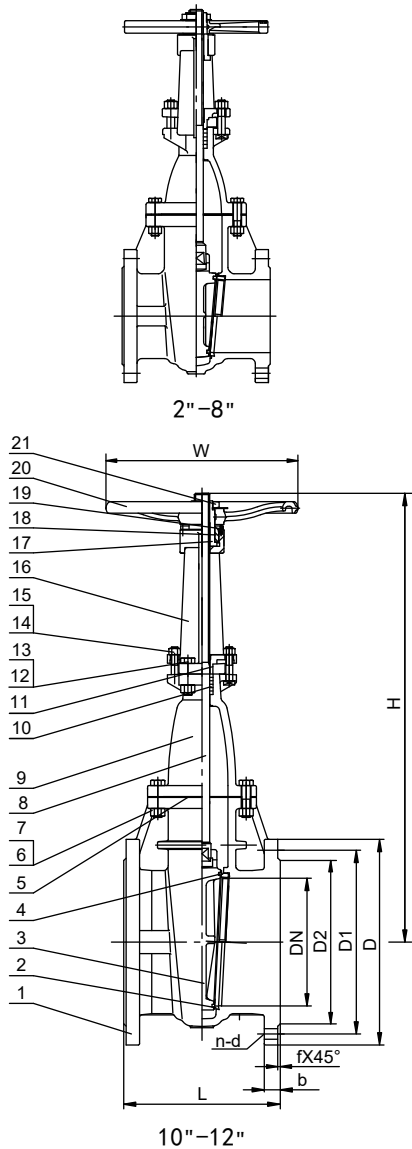
Rising Stem Cast Iron(RS) Gate Valve (DN50~DN300)

Gate Valves

- Design and Manufacture Conform to BS5150/ EN1171
- Flange dimensions Conform to EN1092-2 PN16
- Face to Face dimensions Conform to EN558,S03/S14
- Testing Conform to BS5150/EN12266
- Working Pressure PN16

MATERIALS

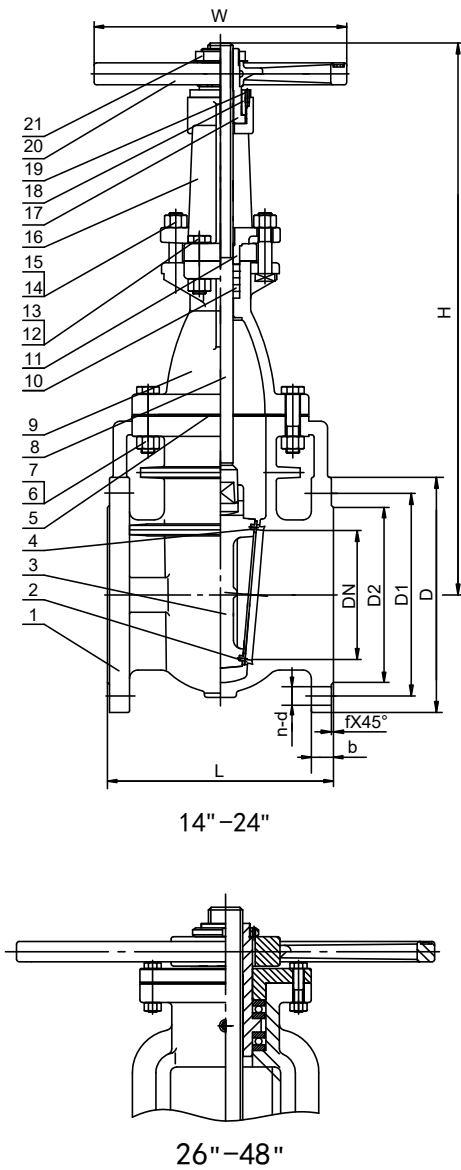
No.	PART NAME	MATERIAL(C.I.)	MATERIAL(D.I.)
1	BODY	EN1561 EN-GJL-200	EN1563 EN-JS1040
2	SEAT RING	EN1982 CC491K or 13Cr	EN1982 CC491K or 13Cr
3	WEDGE	EN1561 EN-GJL-200	EN1563 EN-JS1040
4	WEDGE RING	EN1982 CC491K or 13Cr	EN1982 CC491K or 13Cr
5	BONNET GASKET	GRAPHITE+STEEL	GRAPHITE+STEEL
6	BONNET BOLT	ISO 630-E235B 4.8	ISO 630-E235B 4.8
7	BONNET NUT	ISO 630-E235B 5.0	ISO 630-E235B 5.0
8	STEM	EN12164 CW603N or 13Cr	EN12164 CW603N or 13Cr
9	BONNET	EN1561 EN-GJL-200	EN1563 EN-JS1040
10	PACKING	GRAPHITE	GRAPHITE
11	PACKING GLAND	EN1563 EN-JS1040	EN1563 EN-JS1040
12	YOKE BOLT	ISO 630-E235B 4.8	ISO 630-E235B 4.8
13	YOKE NUT	ISO 630-E235B 5.0	ISO 630-E235B 5.0
14	PACKING GLAND BOLT	ISO 630-E235B 4.8	ISO 630-E235B 4.8
15	PACKING GLAND NUT	ISO 630-E235B 5.0	ISO 630-E235B 5.0
16	YOKE	EN1561 EN-GJL-200	EN1563 EN-JS1040
17	STEM NUT	Mn-BRASS	Mn-BRASS
18	STEM NUT BUSHING	EN1561 EN-GJL-200	EN1563 EN-JS1040
19	SCREW	ISO 630-E235B 4.8	ISO 630-E235B 4.8
20	HANDWHEEL	EN1561 EN-GJL-200	EN1563 EN-JS1040
21	HANDWHEEL NUT	EN1563 EN-JS1040	EN1563 EN-JS1040



It can be operated with bevel gear according to customer's requirement.

DIMENSIONS(mm)

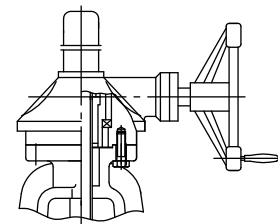
NPS	DN	L-S03	L-S14	D	D1	D2	b	f	n-d	H	W
2	50	178	150	165	125	99	20	2	4-19	301	180
2.5	65	190	170	185	145	118	20	2	4-19	341	180
3	80	203	180	200	160	132	22	2	8-19	371	180
4	100	229	190	220	180	156	24	2	8-19	451	200
5	125	254	200	250	210	184	26	2	8-19	529	250
6	150	267	210	285	240	211	26	2	8-23	583	280
8	200	292	230	340	295	266	30	2	12-23	751	300
10	250	330	250	405	355	319	32	2	12-28	897	360
12	300	356	270	460	410	370	32	2	12-28	1053	400



- Design and Manufacture Conform to BS5150/ EN1171
- Flange dimensions Conform to EN1092-2 PN16
- Face to Face dimensions Conform to EN558,S03/S14
- Testing Conform to BS5150/EN12266
- Working Pressure PN16

MATERIALS

No.	PART NAME	MATERIAL(C.I.)	MATERIAL(D.I.)
1	BODY	EN1561 EN-GJL-200	EN1563 EN-JS1040
2	SEAT RING	EN1982 CC491K or 13Cr	EN1982 CC491K or 13Cr
3	WEDGE	EN1561 EN-GJL-200	EN1563 EN-JS1040
4	WEDGE RING	EN1982 CC491K or 13Cr	EN1982 CC491K or 13Cr
5	BONNET GASKET	GRAPHITE+STEEL	GRAPHITE+STEEL
6	BONNET BOLT	ISO 630-E235B 4.8	ISO 630-E235B 4.8
7	BONNET NUT	ISO 630-E235B 5.0	ISO 630-E235B 5.0
8	STEM	EN12164 CW603N or 13Cr	EN12164 CW603N or 13Cr
9	BONNET	EN1561 EN-GJL-200	EN1563 EN-JS1040
10	PACKING	GRAPHITE	GRAPHITE
11	PACKING GLAND	EN1563 EN-JS1040	EN1563 EN-JS1040
12	YOKE BOLT	ISO 630-E235B 4.8	ISO 630-E235B 4.8
13	YOKE NUT	ISO 630-E235B 5.0	ISO 630-E235B 5.0
14	PACKING GLAND BOLT	ISO 630-E235B 4.8	ISO 630-E235B 4.8
15	PACKING GLAND NUT	ISO 630-E235B 5.0	ISO 630-E235B 5.0
16	YOKE	EN1561 EN-GJL-200	EN1563 EN-JS1040
17	STEM NUT	Mn-BRASS	Mn-BRASS
18	STEM NUT BUSHING	EN1561 EN-GJL-200	EN1563 EN-JS1040
19	SCREW	ISO 630-E235B 4.8	ISO 630-E235B 4.8
20	HANDWHEEL	EN1561 EN-GJL-200	EN1563 EN-JS1040
21	HANDWHEEL NUT	EN1563 EN-JS1040	EN1563 EN-JS1040



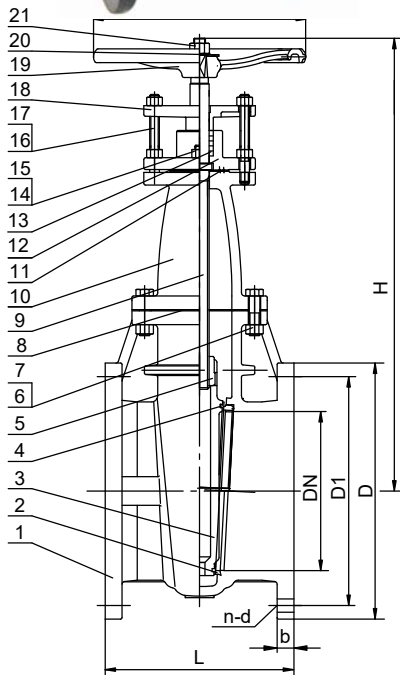
It can be operated with bevel gear according to customer's requirement.

DIMENSIONS(mm)

NPS	DN	L-S03	L-S14	D	D1	D2	b	f	n-d	H	W
14	350	381	290	520	470	429	36	2	16-28	1262	505
16	400	406	310	580	525	480	38	2	16-31	1412	556
18	450	432	330	640	585	548	40	2	20-31	1572	610
20	500	457	350	715	650	609	42	2	20-34	1732	610
24	600	508	390	840	770	720	48	2	20-37	1972	765
28	700	660	430	910	840	794	54	2	24-37	2398	700
32	800	744	470	1025	950	901	58	2	24-41	2696	800
36	900	711	510	1125	1050	1001	62	2	28-41	2990	800
40	1000	866	550	1255	1170	1112	66	2	28-44	3238	530
48	1200	991	630	1485	1390	1328	70	2	32-50	3903	600

Non-Rising Stem Cast Iron(NRS) Gate Valve (2" ~18")

Gate Valves



- Design and Manufacture Conform to MSS SP-70
- Flange dimensions Conform to ASME B16.1, Class 125
- Face to Face dimensions Conform to ASME B16.10
- Testing Conform to MSS SP-70

MATERIALS

No.	PART NAME	MATERIAL
1	BODY	ASTM A126 B
2	SEAT RING	ASTM B62 or 13Cr
3	WEDGE	ASTM A126 B
4	WEDGE RING	ASTM B62 or 13Cr
5	WEDGE NUT	Mn-BRASS
6	BONNET BOLT	ASTM A307 B
7	BONNET NUT	ASTM A563
8	BONNET GASKET	GRAPHITE+STEEL
9	STEM	ASTM B16 or 13Cr
10	BONNET	ASTM A126 B
11	STUFFING BOX GASKET	GRAPHITE+STEEL
12	STUFFING BOX	ASTM A126 B
13	PACKING	GRAPHITE
14	STUD	ASTM A307 B
15	NUT	ASTM A563
16	PACKING GLAND BOLT	ASTM A307 B
17	PACKING GLAND NUT	ASTM A563
18	PACKING GLAND	ASTM A536 65-45-12
19	HANDWHEEL	ASTM A126 B
20	WASHER	CARBON STEEL
21	NUT	ASTM A563

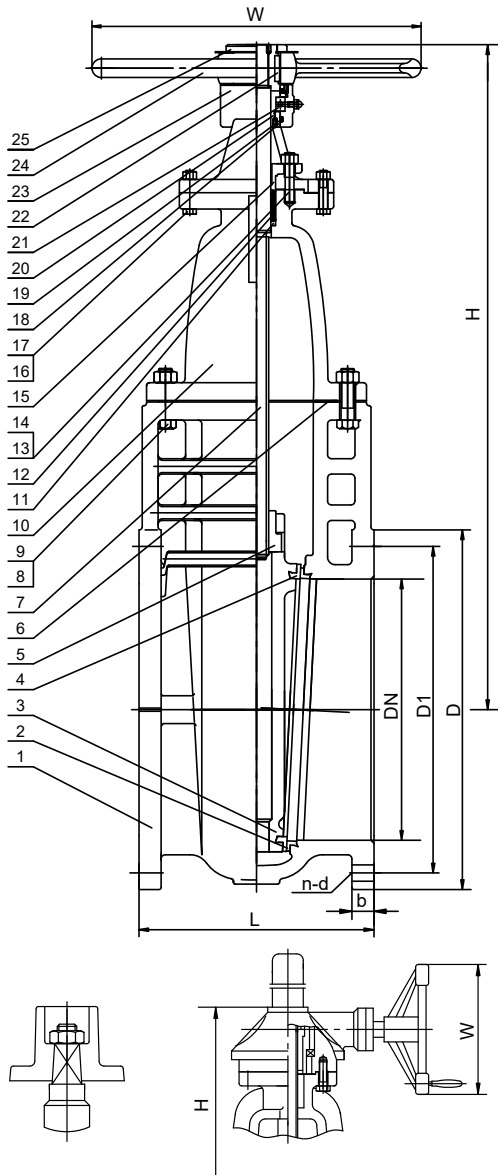
- It can be equipped with open and close position indicator.
- It can be operated with bevel gear according to customer's requirement.
- It can be operated with wrench head according to customer's requirement.

DIMENSIONS(mm)

NPS	DN	L	D	D1	b	n-d	H	W
2	50	177.8	152	120.7	15.8	4-19	278	180
2.5	65	190.5	178	139.7	17.5	4-19	311	180
3	80	203.2	191	152.4	19	4-19	339	180
4	100	228.6	229	190.5	23.9	8-19	393	200
5	125	254	254	215.9	23.9	8-22	454	250
6	150	266.7	279	241.3	25.4	8-22	501	280
8	200	292.1	343	298.5	28.5	8-22	592	300
10	250	330.2	406	362	30.2	12-25	730	360
12	300	355.6	483	431.8	31.8	12-25	852	400
14	350	381	533	476.3	35	12-29	1012	505
16	400	406.4	597	539.8	36.6	16-29	1104	556
18	450	431.8	635	577.9	39.6	16-32	1212	610

Non-Rising Stem Cast Iron(NRS) Gate Valve (20" ~48")

Gate Valves



- Design and Manufacture Conform to MSS SP-70
- Flange dimensions Conform to ASME B16.1, Class125
- Face to Face dimensions Conform to ASME B16.10
- Testing Conform to MSS SP-70

MATERIALS

No.	PART NAME	MATERIAL
1	BODY	ASTM A126 B
2	SEAT RING	ASTM B62 or 13Cr
3	WEDGE	ASTM A126 B
4	WEDGE RING	ASTM B62 or 13Cr
5	WEDGE NUT	Mn-BRASS
6	BONNET GASKET	GRAPHITE+STEEL
7	STEM	ASTM B16 or 13Cr
8	BONNET BOLT	ASTM A307 B
9	BONNET NUT	ASTM A563
10	BONNET	ASTM A126 B
11	PACKING WHASHER	ASTM A276 420
12	PACKING	GRAPHITE
13	STUD	ASTM A307 B
14	NUT	ASTM A563
15	PACKING GLAND	ASTM A536 65-45-12
16	BOLT	ASTM A307 B
17	NUT	ASTM A563
18	FIXED RING	ASTM A126 B
19	WOOLEN RING	WOOLEN
20	BEARING SLEEVE	ASTM A536 65-45-12
21	BEARING	BEARING STEEL
22	KEY	CARBON STEEL
23	YOKE	ASTM A126 B
24	HANDWHEEL	ASTM A126 B
25	HANDWHEEL NUT	CARBON STEEL

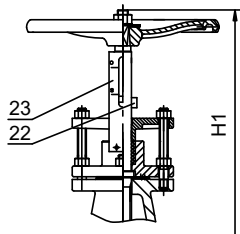
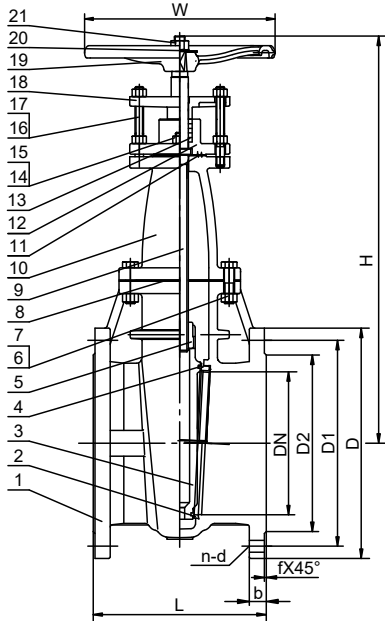
- It can be equipped with open and close position indicator.
- It can be operated with bevel gear according to customer's requirement.
- It can be operated with wrench head according to customer's requirement.

DIMENSIONS(mm)

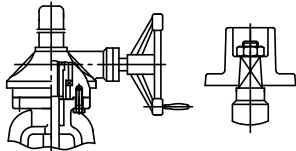
NPS	DN	L	D	D1	b	n-d	H	W
20	500	457.2	699	635	42.9	20-32	1290	640
24	600	508	813	749.3	47.8	20-35	1453	640
28	700	660	927	863.6	52.3	28-35	1792	863
30	750	609.6	984	914.4	53.9	28-35	2140	863
32	800	744	1060	977.9	56.1	28-41	1973	863
36	900	711.2	1168	1086	60.5	32-41	2385	863
40	1000	866	1289	1200	63	36-41	2500	530
48	1200	990.6	1511	1422.4	69.9	44-41	2950	600

Non-Rising Stem Cast Iron(NRS) Gate Valve (DN50~DN450)

Gate Valves



- It can be equipped with open and Close position indicator



- Design and Manufacture Conform to BS5150/EN1171
- Flange dimensions Conform to EN1092-2 PN16
- Face to Face dimensions Conform to EN558,S03/S14
- Testing Conform to BS5150/EN12266
- Working Pressure PN16

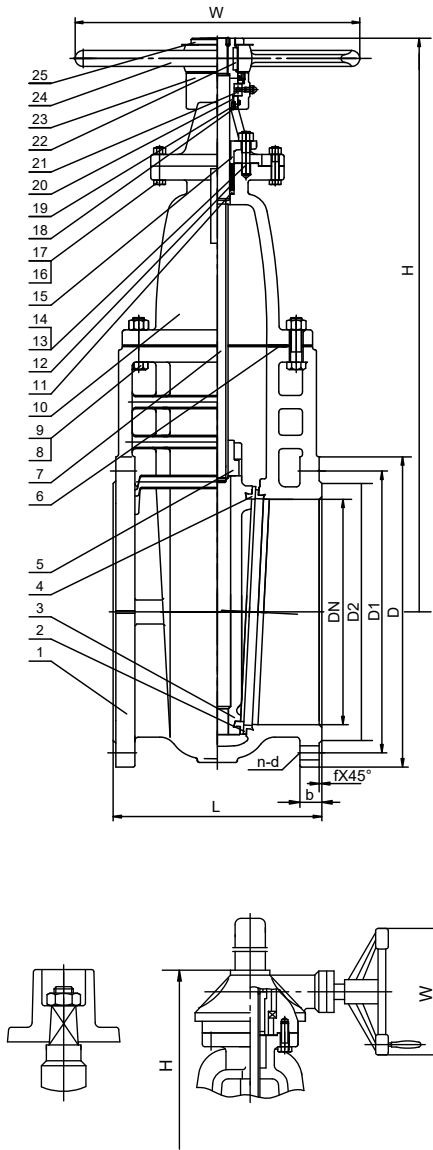
MATERIALS

No.	PART NAME	MATERIAL(C.I.)	MATERIAL(D.I.)
1	BODY	EN1561 EN-GJL-200	EN1563 EN-JS1040
2	SEAT RING	EN1982 CC491K or 13Cr	EN1982 CC491K or 13Cr
3	WEDGE	EN1561 EN-GJL-200	EN1563 EN-JS1040
4	WEDGE RING	EN1982 CC491K or 13Cr	EN1982 CC491K or 13Cr
5	WEDGE NUT	Mn-BRASS	Mn-BRASS
6	BONNET BOLT	ISO 630-E235B 4.8	ISO 630-E235B 4.8
7	BONNET NUT	ISO 630-E235B 5.0	ISO 630-E235B 5.0
8	BONNET GASKET	GRAPHITE+STEEL	GRAPHITE+STEEL
9	STEM	EN12164 CW603N or 13Cr	EN12164 CW603N or 13Cr
10	BONNET	EN1561 EN-GJL-200	EN1563 EN-JS1040
11	STUFFING BOX GASKET	GRAPHITE+STEEL	GRAPHITE+STEEL
12	STUFFING BOX	EN1561 EN-GJL-200	EN1563 EN-JS1040
13	PACKING	GRAPHITE	GRAPHITE
14	STUD	ISO 630-E235B 4.8	ISO 630-E235B 4.8
15	NUT	ISO 630-E235B 5.0	ISO 630-E235B 5.0
16	PACKING GLAND BOLT	ISO 630-E235B 4.8	ISO 630-E235B 4.8
17	PACKING GLAND NUT	ISO 630-E235B 5.0	ISO 630-E235B 5.0
18	STUFFING GLAND	EN1563 EN-JS1040	EN1563 EN-JS1040
19	HANDWHEEL	EN1561 EN-GJL-200	EN1563 EN-JS1040
20	WASHER	CARBON STEEL	CARBON STEEL
21	NUT	ISO 630-E235B 5.0	ISO 630-E235B 5.0
22	INDICATE	ALUMINIUM ALLOY	ALUMINIUM ALLOY
23	INDICATE PLATE	ALUMINIUM PLATE	ALUMINIUM PLATE

- It can be operated with bevel gear according to customer's requirement.
- It can be operated with wrench head according to customer's requirement.

DIMENSIONS(mm)

NPS	DN	L-S03	L-S14	D	D1	D2	b	f	n-d	H	H1	W
2	50	178	150	165	125	99	20	2	4-19	278	319	180
2.5	65	190	170	185	145	118	20	2	4-19	311	347	180
3	80	203	180	200	160	132	22	2	8-19	339	391	180
4	100	229	190	220	180	156	24	2	8-19	393	447	200
5	125	254	200	250	210	184	26	2	8-19	454	494	250
6	150	267	210	285	240	211	26	2	8-23	501	541	280
8	200	292	230	340	295	266	30	2	12-23	592	651	300
10	250	330	250	405	355	319	32	2	12-28	730	781	360
12	300	356	270	460	410	370	32	2	12-28	852	888	400
14	350	381	290	520	470	429	36	2	16-28	1035	1037	505
16	400	406	310	580	525	480	38	2	16-31	1137	1125	556
18	450	432	330	640	585	548	40	2	20-31	1213	1238	610



- Design and Manufacture Conform to BS5150/EN1171
- Flange dimensions Conform to EN1092-2 PN16
- Face to Face dimensions Conform to EN558,S03/S14
- Testing Conform to BS5150/EN12266
- Working Pressure PN16

MATERIALS

No.	PART NAME	MATERIAL(C.I.)	MATERIAL(D.I.)
1	BODY	EN1561 EN-GJL-200	EN1563 EN-GJS-450-10
2	SEAT RING	EN1982 CC491K or 13Cr	EN1982 CC491K or 13Cr
3	WEDGE	EN1561 EN-GJL-200	EN1563 EN-GJS-450-10
4	WEDGE RING	EN1982 CC491K or 13Cr	EN1982 CC491K or 13Cr
5	WEDGE NUT	Mn-BRASS	Mn-BRASS
6	BONNET GASKET	GRAPHITE+STEEL	GRAPHITE+STEEL
7	STEM	EN12164 CW603N or 13Cr	EN12164 CW603N or 13Cr
8	BONNET BOLT	ISO 630-E235B 4.8	ISO 630-E235B 4.8
9	BONNET NUT	ISO 630-E235B 5.0	ISO 630-E235B 5.0
10	BONNET	EN1561 EN-GJL-200	EN1563 EN-GJS-450-10
11	PACKING WHASHER	13Cr	13Cr
12	PACKING	GRAPHITE	GRAPHITE
13	STUD	ISO 630-E235B 4.8	ISO 630-E235B 4.8
14	NUT	ISO 630-E235B 5.0	ISO 630-E235B 5.0
15	STUFFING GLAND	EN1563 EN-GJS-450-10	EN1563 EN-GJS-450-10
16	BOLT	ISO 630-E235B 4.8	ISO 630-E235B 4.8
17	NUT	ISO 630-E235B 5.0	ISO 630-E235B 5.0
18	FIXED RING	EN1561 EN-GJL-200	EN1563 EN-GJS-450-10
19	WOOLEN RING	WOOLEN	WOOLEN
20	BEARING SLEEVE	EN1563 EN-GJS-450-10	EN1563 EN-GJS-450-10
21	BEARING	BEARING STEEL	BEARING STEEL
22	KEY	CARBON STEEL	CARBON STEEL
23	YOKE	EN1561 EN-GJL-200	EN1563 EN-GJS-450-10
24	HANDWHEEL	EN1561 EN-GJL-200	EN1563 EN-GJS-450-10
25	HANDWHEEL NUT	CARBON STEEL	CARBON STEEL

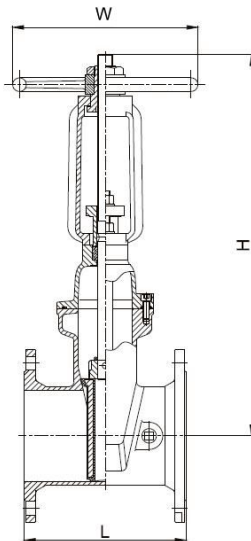
- It can be equipped with open and Close position indicator
- It can be operated with bevel gear according to customer's requirement.
- It can be operated with wrench head according to customer's requirement.

DIMENSIONS(mm)

NPS	DN	L-S03	L-S14	D	D1	D2	b	f	n-d	H	W
20	500	457	350	715	650	609	42	2	20-34	1301	640
24	600	508	390	840	770	720	48	2	20-37	1457	640
28	700	660	430	910	840	794	54	2	24-37	1792	863
32	800	744	470	1025	950	901	58	2	24-41	1973	863
36	900	711	510	1125	1050	1001	62	2	28-41	2385	863
40	1000	866	550	1255	1170	1112	66	2	28-44	2500	530
48	1200	991	630	1485	1390	1328	70	2	32-50	2950	600



- Design and Manufacture Conform to AWWA C515
- Flange dimensions Conform to ASME B16.1, Class 125
- Face to Face dimensions Conform to ASME B16.10
- Testing Conform to AWWA C515
- Working Pressure 300PSI



MATERIALS

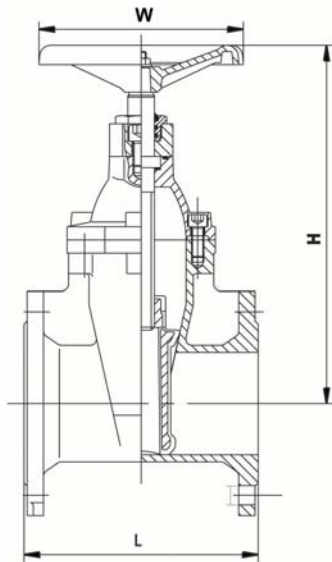
PART NAME	MATERIAL
BODY	ASTM A536 65-45-12
WEDGE	ASTM A536 65-45-12+EPDM
STEM	SS431/SS304/SS316/Bronze
BONNET	ASTM A536 65-45-12
PACKING	PTFE
PACKING GLAND	ASTM A536 65-45-12
YOKE	ASTM A536 65-45-12
STEM NUT	Bronze
STEM NUT BUSHING	Bronze
HANDWHEEL	ASTM A536 65-45-12
HANDWHEEL NUT	Bronze/Brass/Carbon Steel

DIMENSIONS(mm)

NPS	DN	L	D	K	b	n-d	H	W
2	50	178	152	120.7	15.8	4-19	301	180
2.5	65	191	178	139.7	17.5	4-19	341	180
3	80	203	191	152.4	19	4-19	371	180
4	100	229	229	190.5	23.9	8-19	451	254
5	125	254	254	215.9	23.9	8-22	529	254
6	150	267	279	241.3	25.4	8-22	583	300
8	200	292	343	298.5	28.5	8-22	751	356
10	250	330	406	362	30.2	12-25	897	406
12	300	356	483	431.8	31.8	12-25	1053	406



- Design and Manufacture Conform to AWWA C515
- Flange dimensions Conform to ASME B16.1, Class 125
- Face to Face dimensions Conform to ASME B16.10
- Testing Conform to AWWA C515
- Working Pressure 300PSI


MATERIALS

PART NAME	MATERIAL
BODY	ASTM A536 65-45-12
WEDGE	ASTM A536 65-45-12+EPDM
STEM	SS431/SS304/SS316/Bronze
BONNET	ASTM A536 65-45-12
UPPER COVER	ASTM A536 65-45-12
STEM NUT	Bronze
HANDWHEEL	ASTM A536 65-45-12

DIMENSIONS(mm)

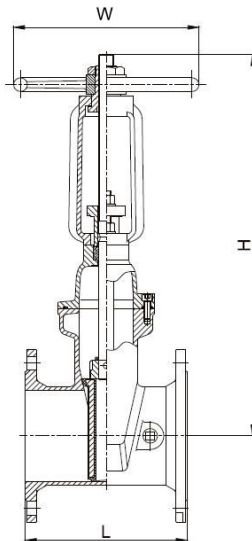
NPS	DN	L	D	K	b	n-d	H	W
2	50	178	152	120.7	15.8	4-19	240	180
2.5	65	191	178	139.7	17.5	4-19	255	180
3	80	203	191	152.4	19	4-19	280	180
4	100	229	229	190.5	23.9	8-19	305	254
5	125	254	254	215.9	23.9	8-22	380	254
6	150	267	279	241.3	25.4	8-22	417	300
8	200	292	343	298.5	28.5	8-22	525	356
10	250	330	406	362	30.2	12-25	620	406
12	300	356	483	431.8	31.8	12-25	710	406

PN16 Rising Stem Resilient-Seated(OS&Y) Ductile Iron Gate Valve

Gate Valves



- Design and Manufacture Conform to BS5163/DIN EN 1171
- Flange dimensions Conform to EN1092-2,PN16
- Face to Face dimensions Conform to EN558,S03/S14
- Testing Conform to BS5163/DIN EN 1171
- Working Pressure PN16



MATERIALS

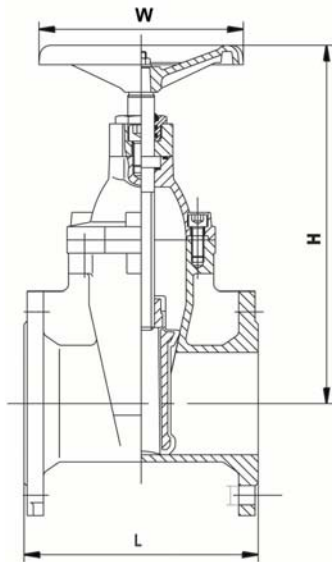
PART NAME	MATERIAL
BODY	EN1563 EN-JS1040
WEDGE	EN1563 EN-JS1040+EPDM
STEM	SS431/SS304/SS316/Bronze
BONNET	EN1563 EN-JS1040
PACKING	PTFE
PACKING GLAND	EN1563 EN-JS1040
YOKE	EN1563 EN-JS1040
STEM NUT	Bronze
STEM NUT BUSHING	Bronze
HANDWHEEL	EN1563 EN-JS1040
HANDWHEEL NUT	Bronze/Brass/Carbon Steel

DIMENSIONS(mm)

NPS	DN	L-S03	L-S14	D	K	b	n-d	H	W
2	50	178	150	165	125	19	4-19	301	180
2.5	65	191	170	185	145	19	4-19	341	180
3	80	203	180	200	160	19	8-19	371	180
4	100	229	190	220	180	19	8-19	451	254
5	125	254	200	250	210	19	8-19	529	254
6	150	267	210	285	240	19	8-23	583	300
8	200	292	230	340	295	20	12-23	751	356
10	250	330	250	400	355	22	12-28	897	406
12	300	356	270	455	410	24.5	12-28	1053	406



- Design and Manufacture Conform to BS5163/DIN EN 1171
- Flange dimensions Conform to EN1092-2,PN16
- Face to Face dimensions Conform to EN558,S03
- Testing Conform to BS5163/DIN EN 1171
- Working Pressure PN16



MATERIALS

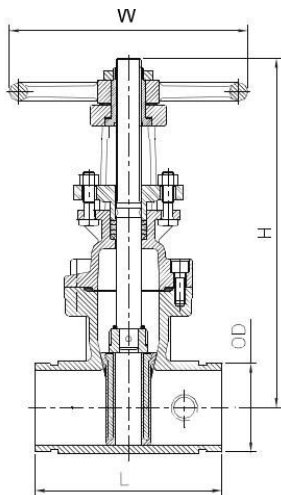
PART NAME	MATERIAL
BODY	EN1563 EN-JS1040
WEDGE	EN1563 EN-JS1040+EPDM
STEM	SS431/SS304/SS316/Bronze
BONNET	EN1563 EN-JS1040
UPPER COVER	EN1563 EN-JS1040
STEM NUT	Bronze
HANDWHEEL	EN1563 EN-JS1040

DIMENSIONS(mm)

NPS	DN	L-S03	L-S14	D	K	b	n-d	H	W
2	50	178	150	165	125	19	4-19	240	180
2.5	65	191	170	185	145	19	4-19	255	180
3	80	203	180	200	160	19	8-19	280	180
4	100	229	190	220	180	19	8-19	305	254
5	125	254	200	250	210	19	8-19	380	254
6	150	267	210	285	240	19	8-23	417	300
8	200	292	230	340	295	20	12-23	525	356
10	250	330	250	400	355	22	12-28	620	406
12	300	356	270	455	410	24.5	12-28	710	406



- Design and Manufacture Conform to AWWA C515
- Groove dimensions Conform to AWWA C606
- Face to Face dimensions Conform to ASME B16.10
- Testing Conform to AWWA C515
- Working Pressure 300PSI



MATERIALS

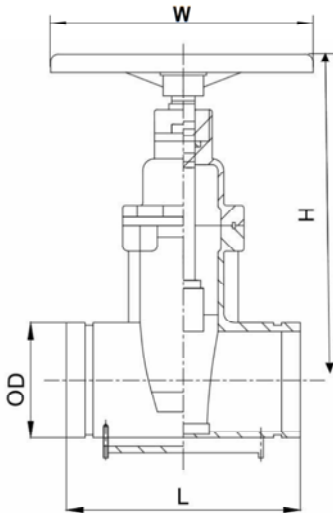
PART NAME	MATERIAL
BODY	ASTM A536 65-45-12
WEDGE	ASTM A536 65-45-12+EPDM
STEM	SS431/SS304/SS316/Bronze
BONNET	ASTM A536 65-45-12
PACKING	PTFE
PACKING GLAND	ASTM A536 65-45-12
YOKE	ASTM A536 65-45-12
STEM NUT	Bronze
STEM NUT BUSHING	Bronze
HANDWHEEL	ASTM A536 65-45-12
HANDWHEEL NUT	Bronze/Brass/Carbon Steel

DIMENSIONS(mm)

NPS	DN	L	OD	A	B	H	W
2	50	178	60.3	15.88	7.93	301	180
2.5	65	191	73/76.1	15.88	7.93	341	180
3	80	203	88.9	15.88	7.93	371	180
4	100	229	114.3	15.88	9.53	451	254
6	150	267	165.1/168.3	15.88	9.53	583	300
8	200	292	219.1	19.05	11.1	751	356
10	250	330	273	19.05	12.7	897	406
12	300	356	323.9	19.05	12.7	1053	406



- Design and Manufacture Conform to AWWA C515
- Groove dimensions Conform to AWWA C606
- Face to Face dimensions Conform to ASME B16.10
- Testing Conform to AWWA C515
- Working Pressure 300PSI



MATERIALS

PART NAME	MATERIAL
BODY	ASTM A536 65-45-12
WEDGE	ASTM A536 65-45-12+EPDM
STEM	SS431/SS304/SS316/Bronze
BONNET	ASTM A536 65-45-12
UPPER COVER	ASTM A536 65-45-12
STEM NUT	Bronze
HANDWHEEL	ASTM A536 65-45-12

DIMENSIONS(mm)

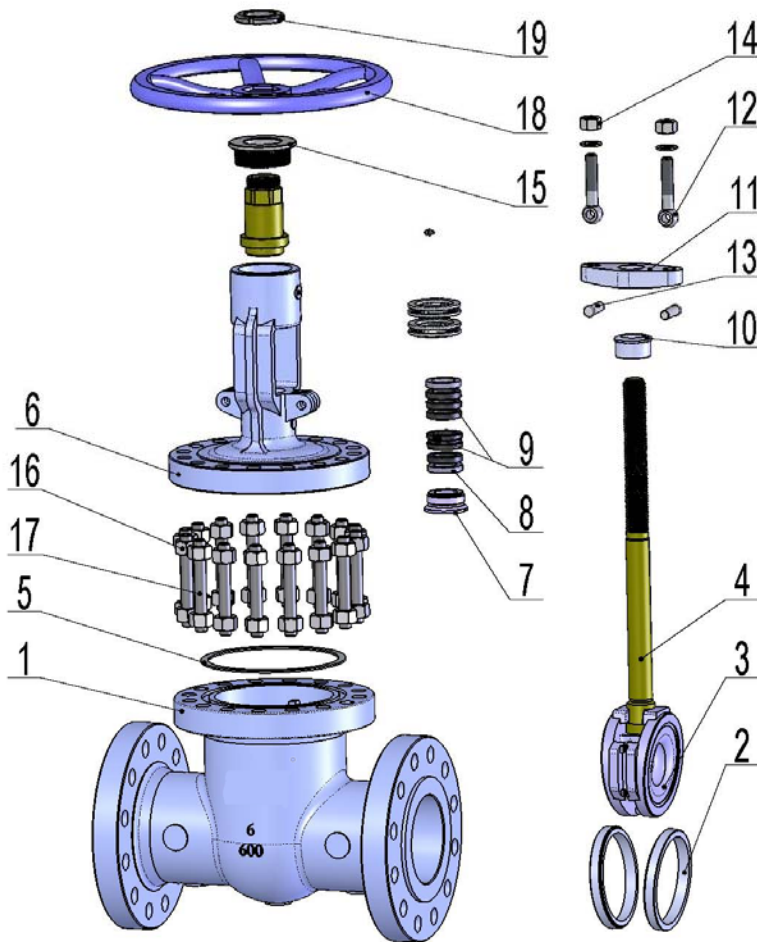
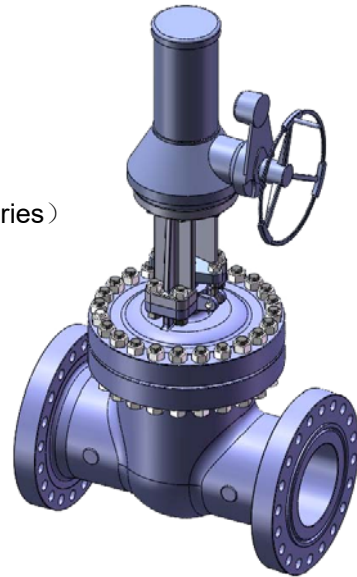
NPS	DN	L	OD	A	B	H	W
2	50	178	60.3	15.88	7.93	240	180
2.5	65	191	73/76.1	15.88	7.93	255	180
3	80	203	88.9	15.88	7.93	280	180
4	100	229	114.3	15.88	9.53	305	254
6	150	267	165.1/168.3	15.88	9.53	417	300
8	200	292	219.1	19.05	11.1	525	356
10	250	330	273	19.05	12.7	620	406
12	300	356	323.9	19.05	12.7	710	406

Cast Steel Gate valves

Gate Valves

Applicable Standards:

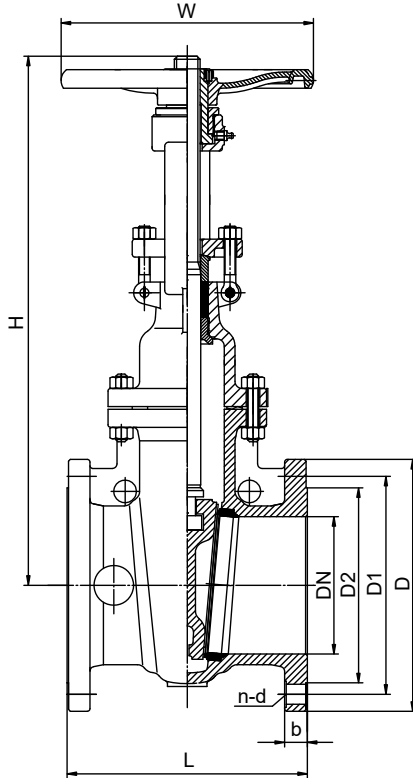
- Basic Design: API 600、ASME B16.34、BS1414
- Face to Face Dimensions: ASME B16.10
- End Flange Dimensions: 2"~24" Per ASME B16.5
22" Per MSS SP-44, 26"and Larger Per ASME B16.47 (A Or B Series)
- Butt Welding End: ASME B16.25
- Inspection and Test : API 598
- Materials: ASTM



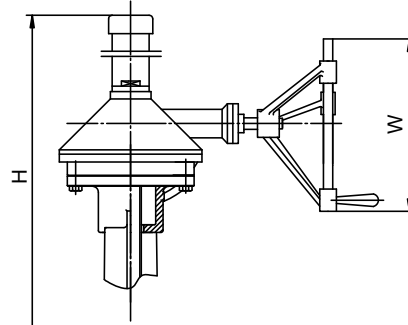
- 1、 BODY
- 2、 SEAT
- 3、 WEDGE
- 4、 STEM
- 5、 BONNET GASKET
- 6、 BONNET
- 7、 BACK SEAT
- 8、 UPPER & LOWER PACKING
- 9、 PACKING
- 10、 GLAND
- 11、 GLAND FOLLOWER
- 12、 EYE BOLT
- 13、 PIN
- 14、 NUT
- 15、 BEARING COVER
- 16、 NUT
- 17、 STUD
- 18、 HANDWHEEL
- 19、 LOCKNUT

Materials of Main Parts

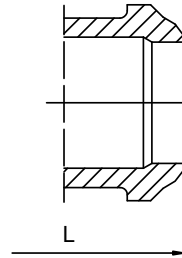
PARTS	MATERIAL				
	CARBON STEEL	LOW-TEM. STEEL	HIGH-TEM. STEEL	STAINLESS STEEL	SULPHUR RESISTANCE
BODY	ASTM A216 WCB	ASTM A352 LCB	ASTM A217 WC6	ASTM A351 CF8M	ASTM A216 WCB
SEAT	ASTM A105	ASTM A182 F304	ASTM A182 F11	ASTM A182 F316	ASTM A105
WEDGE	ASTM A216 WCB	ASTM A352 LCB	ASTM A217 WC6	ASTM A351 CF8M	ASTM A216 WCB
SEALING SURFACE	PER 8-Trim	PER 8-Trim	PER 8-Trim	PER 8-Trim	PER 8-Trim-NC
STEM	ASTM A182 F6a	ASTM A182 F304	ASTM A182 F6a	ASTM A182 F316	ASTMA182 F6a-NC
BONNET GASKET	304+GRAPHITE	304+GRAPHITE	304+GRAPHITE	316+GRAPHITE	304+GRAPHITE
BONNET	ASTM A216 WCB	ASTM A352 LCB	ASTM A217 WC6	ASTM A351 CF8M	ASTM A216 WCB
BONNET STUD	ASTM A193 B7	ASTM A320-L7	ASTM A193-B16	ASTM A193-B8	ASTM A193-B7M
BONNET NUT	ASTM A194 2H	ASTM A194-4	ASTM A194-4	ASTM A194-8	ASTM A194-2HM
BACK SEAT	ASTM A276 420	ASTM A276 304	ASTM A276 420	ASTM A276 316	ASTMA276 420-NC
UPPER & LOWER PACKING	GRAPHITE +304	GRAPHITE +304	GRAPHITE +304	GRAPHITE +316	GRAPHITE +304
MIDDLE PACKING	GRAPHITE	GRAPHITE	GRAPHITE	GRAPHITE	GRAPHITE
LANTERN RING	ASTM A276 420	ASTM A276 304	ASTM A276 420	ASTM A276 316	ASTM A276 420-NC
GLAND	ASTM A276 420	ASTM A276 304	ASTM A276 420	ASTM A276 316	ASTMA276 420-NC
GLAND FOLLOWER	ASTM A216 WCB	ASTM A352 LCB	ASTM A216 WCB	ASTM A351 CF8	ASTM A216 WCB
EYE BOLT	ASTM A193 B7	ASTM A320-L7	ASTM A193 B7	ASTM A193 B8	ASTM A193- B7M
NUT	ASTM A194 2H	ASTM A194-4	ASTM A194 2H	ASTM A194 8	ASTM A194-2HM
PIN	AISI 1035	AISI 1035	AISI 1035	AISI 1035	AISI 1035
STEM NUT	ASTM A439 D2	ASTM A439 D2	ASTM A439 D2	ASTM A439 D2	ASTM A439 D2
BEARING COVER	CARBON STEEL	CARBON STEEL	CARBON STEEL	CARBON STEEL	CARBON STEEL
HANDWHEEL	ASTM A536	ASTM A536	ASTM A536	ASTM A536	ASTM A536
HANDWHEEL NUT	CARBON STEEL	CARBON STEEL	CARBON STEEL	CARBON STEEL	CARBON STEEL



BEVEL GEAR OPERATED(26" & ABOVE)



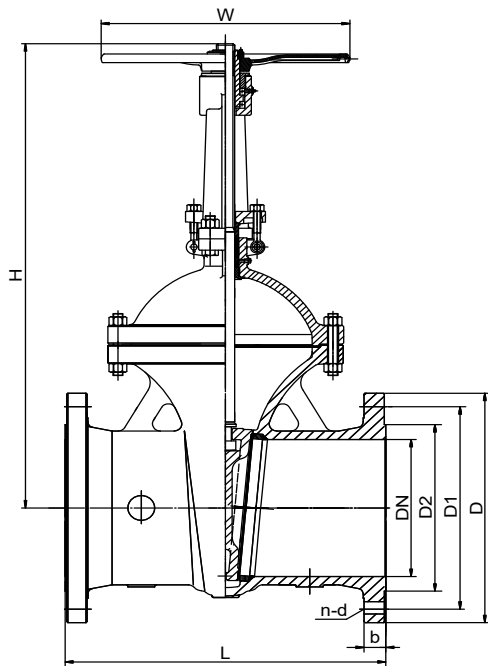
BUTT WELD END



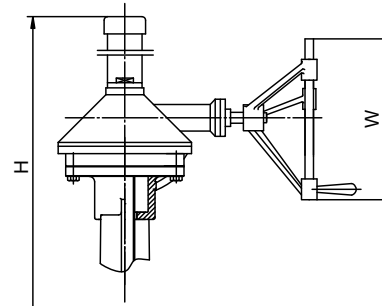
DIMENSIONS(mm)

NPS	DN	L (RF)	L (BW)	D	D1	D2	b	n-d	H	W
2	50	178	216	152	120.7	92	15.9	4-19	347	200
2.5	65	190	241	178	139.7	105	17.5	4-19	379	200
3	80	203	282	190	152.4	127	19.1	4-19	380	250
4	100	229	305	229	190.5	157	23.9	8-19	436	250
5	125	254	381	254	215.9	186	23.9	8-22	527	300
6	150	267	403	279	241.3	216	25.4	8-22	589	300
8	200	292	419	343	298.5	270	28.5	8-22	729	360
10	250	330	457	406	362	324	30.2	12-25	980	400
12	300	356	502	483	431.8	381	31.8	12-25	1021	450
14	350	381	572	533	476.3	413	35	12-29	1145	500
16	400	406	610	597	539.8	470	36.6	16-29	1291	600
18	450	432	660	635	577.9	533	39.6	16-32	1426	650
20	500	457	711	699	635.0	584	42.9	20-32	1574	700
22	550	508	762	750	692.2	642	46.1	20-35	1695	750
24	600	508	813	813	749.3	692	47.8	20-35	1851	800
26	650	559	864	785	744.5	711	41.5	36-22	2815	530
28	700	610	914	835	795.3	762	44.6	40-22	2982	530
30	750	610	914	885	846.1	813	44.6	44-22	3162	530
32	800	660	965	940	900.1	864	46.0	48-22	3293	530
36	900	711	1016	1055	1009.6	972	52.4	44-25	3730	600
40	1000	762	1067	1175	1120.8	1080	55.7	44-29	3975	600
42	1050	787	1092	1225	1171.6	1130	58.8	48-29	4712	600
48	1200	864	1168	1390	1335.1	1289	65.1	44-32	5320	600

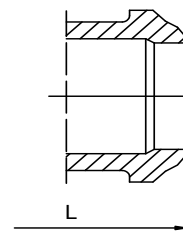
Note: Flange: 2"~24"per ASME B16.5; 22"per MSS SP-44; 26"& above per ASME B16.47 B series



BEVEL GEAR OPERATED(18" & ABOVE)



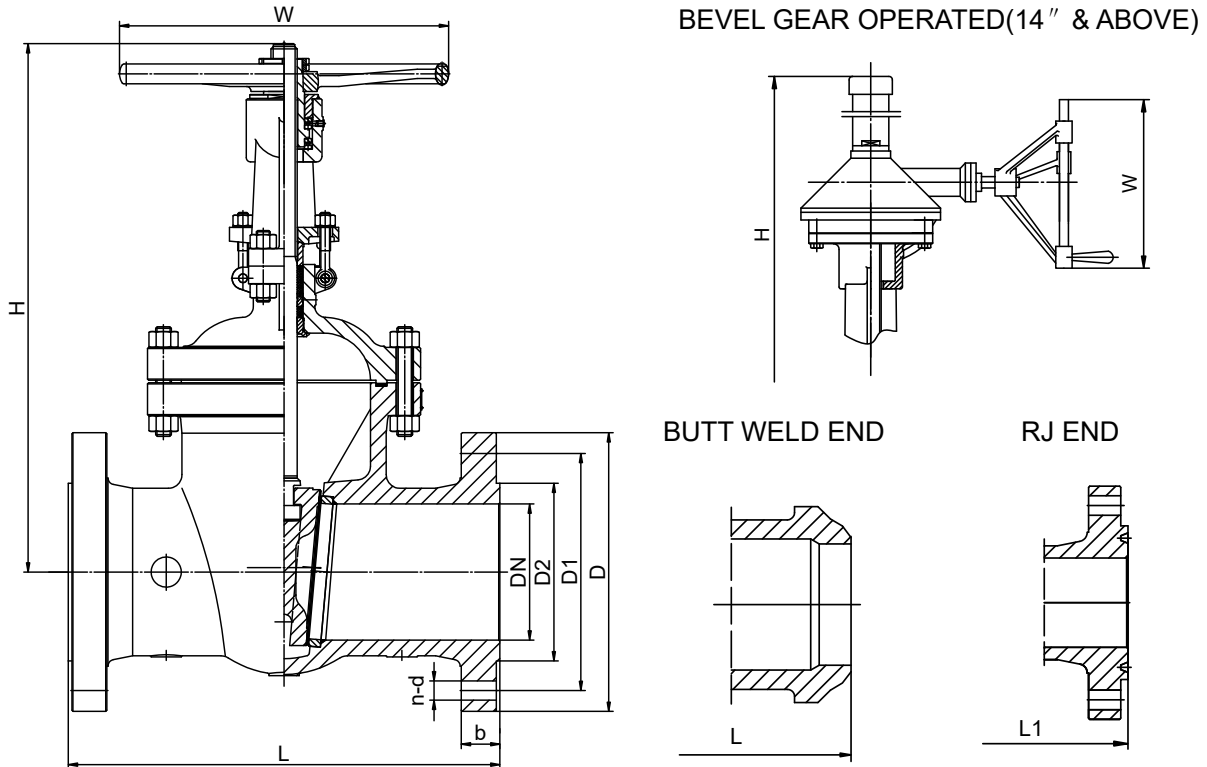
BUTT WELD END



DIMENSIONS(mm)

NPS	DN	L-L (RF-BW)	D	D1	D2	b	n-d	H	W
2	50	216	165	127	92	22.2	8-19	349	200
2.5	65	241	190	149.2	105	25.4	8-22	388	200
3	80	282	210	168.3	127	28.6	8-22	395	250
4	100	305	254	200	157	31.8	8-22	458	300
5	125	381	279	235	186	34.9	8-22	552	300
6	150	403	318	269.9	216	36.5	12-22	619	360
8	200	419	381	330.2	270	41.3	12-25	766	400
10	250	457	445	387.3	324	47.6	16-29	929	450
12	300	502	521	450.8	381	50.8	16-32	1074	500
14	350	762	584	514.3	413	54.0	20-32	1176	600
16	400	838	648	571.5	470	57.2	20-35	1309	650
18	450	914	711	628.7	533	60.3	24-35	1962	460
20	500	991	775	685.8	584	63.5	24-35	2205	530
22	550	1092	840	743.0	642	66.7	24-41	2456	530
24	600	1143	914	812.8	692	69.9	24-41	2608	530
26	650	1245	867	803.3	737	89.0	32-35	2995	600
28	700	1346	921	857.2	787	89.0	36-35	3133	600
30	750	1397	991	920.8	845	93.8	36-38	3218	600
32	800	1524	1054	977.9	902	103.2	32-41	3705	600
36	900	1727	1171	1089.0	1010	130.2	32-44	4122	810
40	1000	1930	1273	1190.6	1116	115.9	40-44	4562	810
42	1050	1981	1334	1244.6	1168	119.1	36-48	4758	810
48	1200	2235	1511	1416.0	1327	128.6	40-51	5385	810

Note: Flange: 2"~24"per ASME B16.5; 22"per MSS SP-44; 26"& above per ASME B16.47 B series



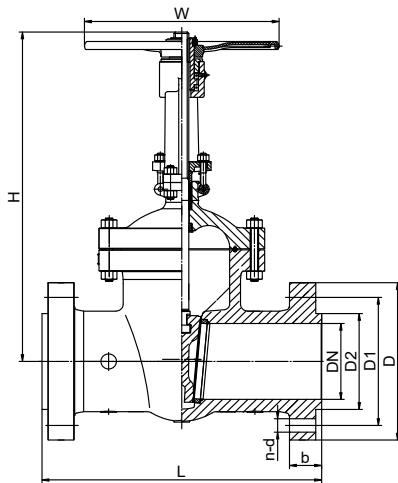
DIMENSIONS(mm)

NPS	DN	L(RF-BW)	L1 (RJ)	D	D1	D2	b	n-d	H	W
2	50	292	295	165	127	92	31.8	8-19	370	250
2.5	65	330	333	190	149.4	105	35.0	8-22	417	250
3	80	356	359	210	168.2	127	38.2	8-22	451	300
4	100	432	435	273	215.9	157	44.5	8-25	537	360
5	125	508	511	330	266.7	186	50.9	8-29	648	400
6	150	559	562	356	292.1	216	54.1	12-29	681	450
8	200	660	663	419	349.3	270	62	12-32	815	500
10	250	787	790	508	431.8	324	69.9	16-35	965	650
12	300	838	841	559	489	381	73.1	20-35	1115	700
14	350	889	892	603	527.1	413	76.3	20-38	1720	530
16	400	991	994	686	603.3	470	82.6	20-41	1935	530
18	450	1092	1095	743	654.1	533	89	20-44	2115	600
20	500	1194	1200	813	723.9	584	95.3	24-44	2310	600
22	550	1295	1305	870	777.8	642	101.7	24-48	2468	600
24	600	1397	1407	940	838.2	692	108	24-51	2585	600
26	650	1448	—	889	806.4	727	117.7	28-44	3156	810
28	700	1549	—	953	863.6	784	122.3	28-48	3370	810
30	750	1651	—	1022	927.1	841	131.9	28-51	3557	810
32	800	1778	—	1086	984.2	895	136.5	28-54	3822	810
36	900	2083	—	1213	1104.9	1010	152.5	28-60	4270	810

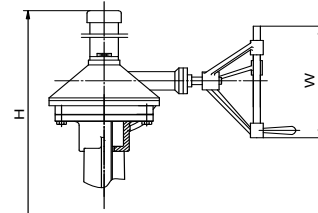
Note: Flange: 2"~24"per ASME B16.5; 22"per MSS SP-44; 26"& above per ASME B16.47 B series

Cast Steel Gate Valves Class900、1500

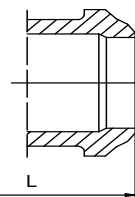
Gate Valves



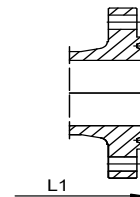
BEVEL GEAR OPERATED(8" & ABOVE)



BUTT WELD END



RJ END



DIMENSIONS(mm) Class900

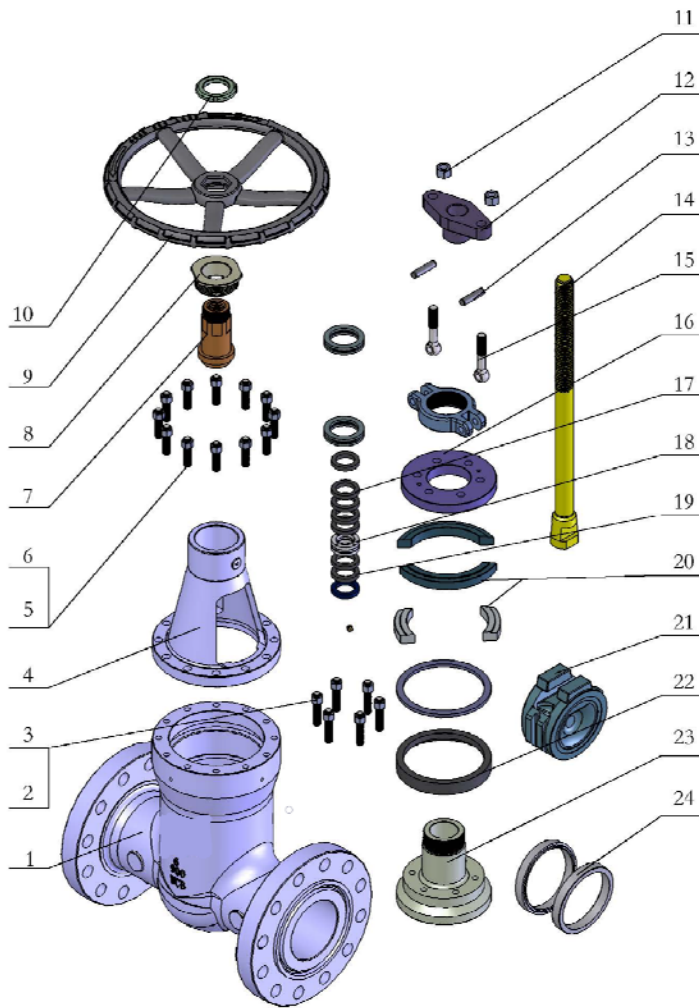
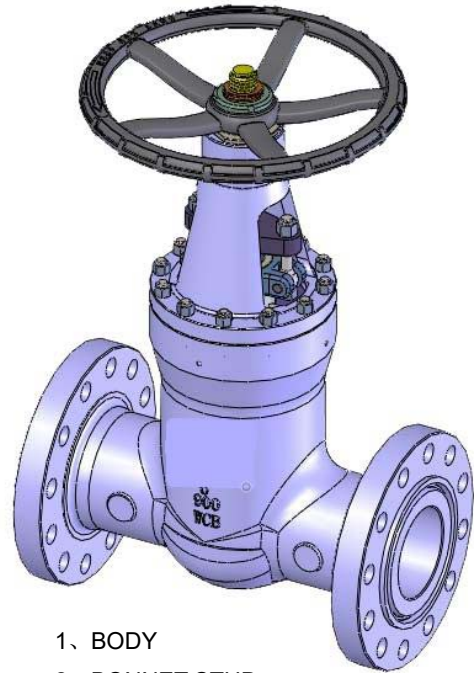
NPS	DN	L (RF- BW)	L1 (RJ)	D	D1	D2	b	n-d	H	W
2	50	368	371	215	165.1	92	44.5	8-25	449	300
2.5	65	419	422	245	190.5	105	47.7	8-29	482	360
3	80	381	384	240	190.5	127	44.5	8-25	495	360
4	100	457	460	290	235.0	157	50.9	8-32	572	360
5	125	559	562	350	279.4	186	57.2	8-35	635	450
6	150	610	613	380	317.5	216	62.0	12-32	746	500
8	200	737	740	470	393.7	270	69.9	12-38	1120	460
10	250	838	841	545	469.9	324	76.3	16-38	1365	460
12	300	965	968	610	533.4	381	85.8	20-38	1562	530
14	350	1029	1039	640	558.8	413	92.2	20-41	1925	530
16	400	1130	1140	705	616.0	470	95.3	20-44	2065	600
18	450	1219	1232	785	685.8	533	108.0	20-51	2235	600
20	500	1321	1334	855	749.3	584	114.4	20-54	2431	600
24	600	1549	1568	1040	901.7	692	146.1	20-67	2765	810

DIMENSIONS(mm) Class1500

NPS	DN	L (RF- BW)	L1 (RJ)	D	D1	D2	b	n-d	H	W
2	50	368	371	215	165.1	92	44.5	8-25	452	300
2.5	65	419	422	245	190.5	105	47.7	8-29	507	360
3	80	470	473	265	203.2	127	54.1	8-32	523	360
4	100	546	549	310	241.3	157	60.4	8-35	598	400
5	125	673	676	375	292.1	186	79.5	8-41	705	450
6	150	705	711	395	317.5	216	89.0	12-38	832	600
8	200	832	842	485	393.7	270	98.5	12-44	1165	460
10	250	991	1001	585	482.6	324	114.4	12-51	1395	530
12	300	1130	1146	675	571.5	381	130.3	16-54	1650	600
14	350	1257	1276	750	635.0	413	139.8	16-60	1815	600
16	400	1384	1406	825	704.8	470	152.5	16-67	1980	600
18	450	1537	1559	915	774.7	533	168.4	16-73	2822	810
20	500	1664	1686	985	831.8	584	184.2	16-79	3088	810
24	600	1943	1971	1170	990.6	692	209.6	16-92	3585	810

Applicable Standards:

- Basic Design: API 600、ASME B16.34、BS1414
- Face to Face Dimensions: ASME B16.10
- End Flange Dimensions: ASME B16.5
- Butt Welding End: ASME B16.25
- Inspection and Test : API 598
- Materials: ASTM



- 1、 BODY
- 2、 BONNET STUD
- 3、 BONNET NUT
- 4、 YOKE
- 5、 STUD
- 6、 NUT
- 7、 STEM NUT
- 8、 BEARING COVER
- 9、 HANDWHEEL
- 10、 HANDWHEEL NUT
- 11、 NUT
- 12、 GLAND
- 13、 PIN
- 14、 STEM
- 15、 EYE BOLT
- 16、 SUPPORT RING
- 17、 MIDDLE PACKING
- 18、 LANTERN RING
- 19、 UPPER AND LOWER PACKING
- 20、 FOUR PIECE RING
- 21、 WEDGE
- 22、 BONNET SEALING RING
- 23、 BONNET
- 24、 SEAT

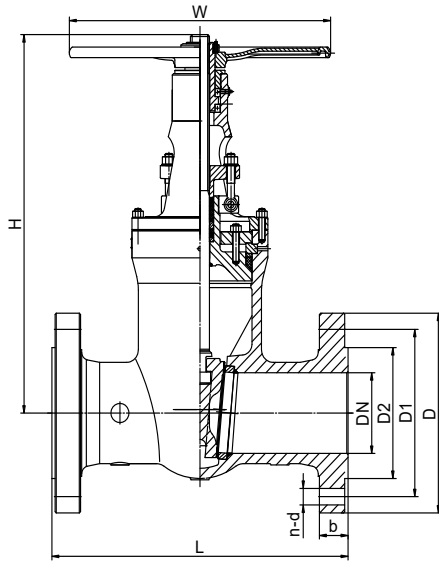


Pressure Seal Cast Steel Gate Valves

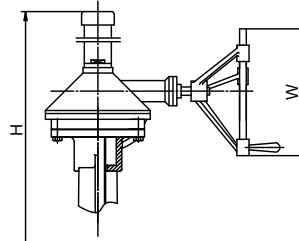
Gate Valves

Materials of Main Parts

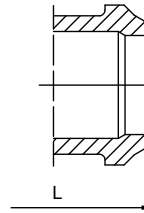
PARTS	MATERIAL				
	CARBON STEEL	STAINLESS STEEL	HIGH-TEMPERATURE STEEL		
BODY	ASTM A216 WCB	ASTM A351 CF8M	ASTM A217 WC6	ASTM A217 WC9	ASTM A217 C5
SEAT	ASTM A105	ASTM A182 F316	ASTM A182 F11	ASTM A182 F22	ASTM A182 F5a
WEDGE	ASTM A216 WCB	ASTM A351 CF8M	ASTM A217 WC6	ASTM A217 WC9	ASTM A217 C5
SEALING SURFACE	PER 8-Trim5、5A	PER 8-Trim 5、5A	PER 8-Trim 5、5A	PER 8-Trim 5、5A	PER 8-Trim 5、5A
STEM	ASTM A182 F6a	ASTM A182 F316	ASTM A182 F6a	ASTM A182 F6a	ASTM A182 F6a
BONNET SEALING RING	GRAPHITE +304	GRAPHITE +316	GRAPHITE +304	GRAPHITE +304	GRAPHITE +304
FOUR PIECE RING	ASTM A182 F6a	ASTM A182 F316	ASTM A182 F11	ASTM A182 F22	ASTM A182 F5a
SUPPORT RING	ASTM A182 F6a	ASTM A182 F316	ASTM A182 F6a	ASTM A182 F6a	ASTM A182 F6a
BONNET	ASTM A216 WCB	ASTM A351 CF8M	ASTM A217 WC6	ASTM A217 WC9	ASTM A217 C5
BONNET STUD	ASTM A193 B7	ASTM A193 B8	ASTM A193 B16	ASTM A193 B16	ASTM A193 B16
BONNET NUT	ASTM A194 2H	ASTM A194 8	ASTM A194 4	ASTM A194 4	ASTM A194 4
BACK SEAT	ASTM A276 420	ASTM A276 316	ASTM A276 420	ASTM A276 420	ASTM A276 420
UPPER&LOWER PACKING	GRAPHITE +304	GRAPHITE +316	GRAPHITE +304	GRAPHITE +304	GRAPHITE +304
MIDDLE PACKING	GRAPHITE	GRAPHITE	GRAPHITE	GRAPHITE	GRAPHITE
LANTERN RING	ASTM A276 420	ASTM A276 316	ASTM A276 420	ASTM A276 420	ASTM A276 420
GLAND	ASTM A276 420	ASTM A276 316	ASTM A276 420	ASTM A276 420	ASTM A276 420
GLAND FOLLOWER	ASTM A216 WCB	ASTM A351 CF8	ASTM A216 WCB	ASTM A216 WCB	ASTM A216 WCB
EYE BOLT	ASTM A193 B7	ASTM A193 B8	ASTM A193 B7	ASTM A193 B7	ASTM A193 B7
NUT	ASTM A194 2H	ASTM A194 8	ASTM A194 2H	ASTM A194 2H	ASTM A194 2H
PIN	AISI 1035	AISI 1035	AISI 1035	AISI 1035	AISI 1035
YOKE	ASTM A216 WCB	ASTM A351 CF8M	ASTM A216 WCB	ASTM A216 WCB	ASTM A216 WCB
STEM NUT	ASTM A439 D2	ASTM A439 D2	ASTM A439 D2	ASTM A439 D2	ASTM A439 D2
BEARING COVER	CARBON STEEL	CARBON STEEL	CARBON STEEL	CARBON STEEL	CARBON STEEL
HANDWHEEL	ASTM A536	ASTM A536	ASTM A536	ASTM A536	ASTM A536
HANDWHEEL NUT	CARBON STEEL	CARBON STEEL	CARBON STEEL	CARBON STEEL	CARBON STEEL



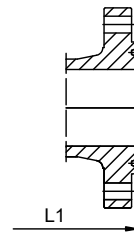
BEVEL GEAR OPERATED(8" & ABOVE)



BUTT WELD END



RJ END



DIMENSIONS(mm) Class900

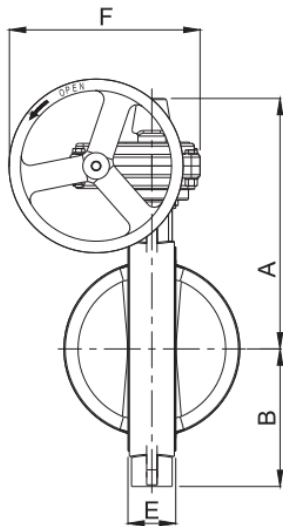
NPS	DN	L (RF- BW)	L1 (RJ)	D	D1	D2	b	n-d	H	W
2	50	368	371	215	165.1	92	44.5	8-25	459	300
2.5	65	419	422	245	190.5	105	47.7	8-29	542	360
3	80	381	384	240	190.5	127	44.5	8-25	562	360
4	100	457	460	290	235.0	157	50.9	8-32	631	360
5	125	559	562	350	279.4	186	57.2	8-35	662	450
6	150	610	613	380	317.5	216	62.0	12-32	774	500
8	200	737	740	470	393.7	270	69.9	12-38	1295	460
10	250	838	841	545	469.9	324	76.3	16-38	1505	460
12	300	965	968	610	533.4	381	85.8	20-38	1685	530
14	350	1029	1039	640	558.8	413	92.2	20-41	1985	530
16	400	1130	1140	705	616.0	470	95.3	20-44	2225	600
18	450	1219	1232	785	685.8	533	108.0	20-51	2435	600
20	500	1321	1334	855	749.3	584	114.4	20-54	2736	600
24	600	1549	1568	1040	901.7	692	146.1	20-67	3215	810

DIMENSIONS(mm) Class1500

NPS	DN	L (RF- BW)	L1(RJ)	D	D1	D2	b	n-d	H	W
2	50	368	371	215	165.1	92	44.5	8-25	461	300
2.5	65	419	422	245	190.5	105	47.7	8-29	545	360
3	80	470	473	265	203.2	127	54.1	8-32	575	360
4	100	546	549	310	241.3	157	60.4	8-35	675	400
5	125	673	676	375	292.1	186	79.5	8-41	668	450
6	150	705	711	395	317.5	216	89.0	12-38	810	600
8	200	832	842	485	393.7	270	98.5	12-44	1340	460
10	250	991	1001	585	482.6	324	114.4	12-51	1525	530
12	300	1130	1146	675	571.5	381	130.3	16-54	1758	600
14	350	1257	1276	750	635.0	413	139.8	16-60	2205	600
16	400	1384	1406	825	704.8	470	152.5	16-67	2315	600
18	450	1537	1559	915	774.7	533	168.4	16-73	2802	810
20	500	1664	1686	985	831.8	584	184.2	16-79	3085	810
24	600	1943	1971	1170	990.6	692	209.6	16-92	3736	810



- Design and Manufacture Conform to AWWA/EN
- Connected Flange dimensions Conform to ASME B16.1 Class125 and EN1092-2 PN10/16
- Face to Face dimensions Conform to ASME B16.10/EN558,S20
- Testing Conform to AWWA C504/EN593
- Working Pressure 300PSI/PN10/PN16



MATERIALS

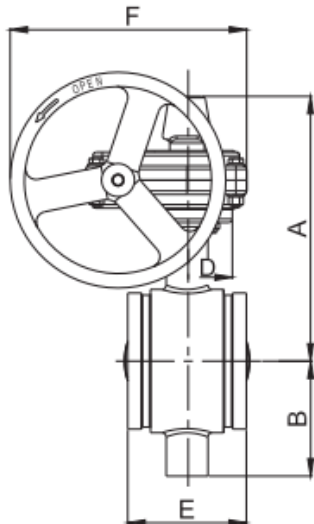
PART NAME	MATERIAL
BODY	ASTM A536 65-45-12
DISC	ASTM A536 65-45-12+EPDM
STEM	SS431/SS304/SS316/SS420
HOUSING	ASTM A536 65-45-12

DIMENSIONS(mm)

NPS	DN	A	B	E	F
2	50	230	74	43	190
2.5	65	240	85	46	190
3	80	250	95	46	190
4	100	265	115	52	190
5	125	280	130	56	215
6	150	295	145	56	215
8	200	360	170	60	280
10	250	410	210	68	280
12	300	435	240	79	280



- Design and Manufacture Conform to AWWA C504
- Groove dimensions Conform to AWWA C606
- Face to Face dimensions Conform to MSS-SP70
- Testing Conform to AWWA C504/EN593
- Working Pressure 300PSI



MATERIALS

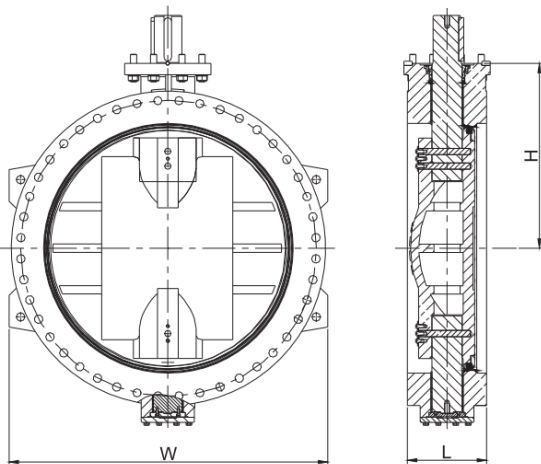
PART NAME	MATERIAL
BODY	ASTM A536 65-45-12
DISC	ASTM A536 65-45-12+EPDM
STEM	SS431/SS304/SS316/SS420
HOUSING	ASTM A536 65-45-12

DIMENSIONS(mm)

NPS	DN	A	B	E	F
2	50	220	77	84	190
2.5	65	230	85	97	190
3	80	235	90	97	190
4	100	265	110	116	190
5	125	285	120	148	215
6	150	305	145	148	215
8	200	360	180	133	280
10	250	410	230	159	280
12	300	435	260	165	280



- Design and Manufacture Conform to AWWA C504
- Flange dimensions Conform to ASME B16.1, Class125
- Face to Face dimensions Conform to ASME B16.10
- Testing Conform to AWWA C504
- Working Pressure 300PSI



MATERIALS

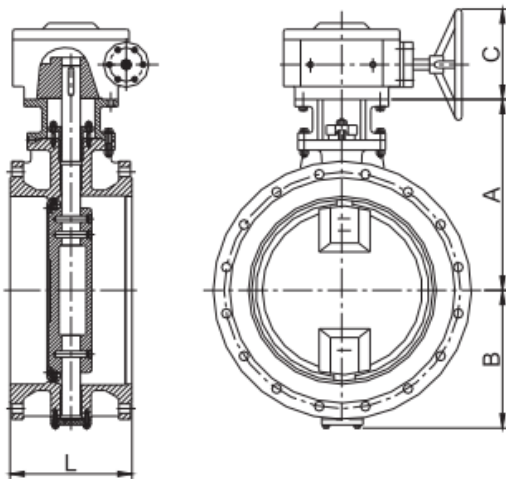
PART NAME	MATERIAL
BODY	ASTM A536 65-45-12
BODY SEAT	SS304
SHAFT	SS431/SS304/SS316/SS420
DISC	ASTM A536 65-45-12
DISC SEAT RING	EPDM
SHAFT BUSH	Bronze/Brass
BOTTOM PLATE	ASTM A536 65-45-12

DIMENSIONS(mm)

NPS	DN	L	H	W	D	K	b	n-d
30	750	305	625	1020	985	914	54	28-35
36	900	305	725	1220	1170	1086	60.3	32-41
42	1050	305	825	1400	1345	1257	66.7	36-41
48	1200	381	890	1550	1510	1422	69.9	44-41
54	1350	381	990	1700	1685	1594	76.2	44-51
60	1500	381	1095	1880	1855	1759	79.4	52-51
72	1800	457	1330	2235	2195	2096	88.9	60-51
96	2400	610	1590	2920	2875	2756	108	68-63.5



- Design and Manufacture Conform to EN593
- Flange dimensions Conform to EN1092-2,PN16
- Face to Face dimensions Conform to EN558,S13/S14
- Testing Conform to EN593
- Working Pressure PN16



MATERIALS

PART NAME	MATERIAL
BODY	EN1563 EN-JS1040
BODY SEAT	SS304
SHAFT	SS431/SS304/SS316/SS420
DISC	EN1563 EN-JS1040
DISC SEAT RING	EPDM
SHAFT BUSH	Bronze/Brass
BOTTOM PLATE	EN1563 EN-JS1040

DIMENSIONS(mm)

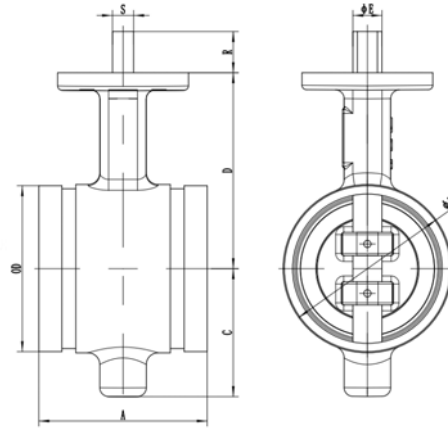
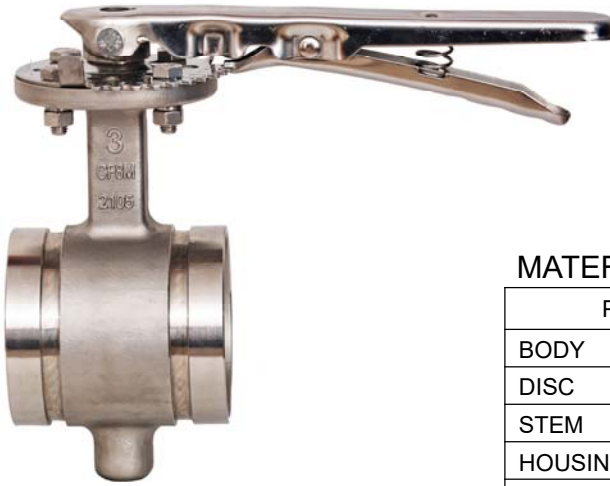
NPS	DN	L-S13	L-S14	A	B	C	D	K	b	n-d
8	200	152	230	285	195	160	340	295	20	12-23
10	250	165	250	315	205	160	400	355	22	12-28
12	300	178	270	360	250	200	455	410	24.5	12-28
16	400	216	310	450	315	230	580	525	28	16-31
20	500	229	350	510	365	230	715	650	31.5	20-34
24	600	267	390	610	440	260	840	770	36	20-37
28	700	292	430	655	475	260	910	840	39.5	24-37
32	800	318	470	720	540	260	1025	950	43	24-40
36	900	330	510	770	600	335	1125	1050	46.5	28-40
40	1000	410	550	880	665	335	1255	1170	50	28-43
48	1200	470	630	1000	800	335	1485	1390	57	32-49
56	1400	530	710	1110	895	350	1685	1590	60	36-49
64	1600	600	790	1275	1055	400	1930	1820	65	40-56
72	1800	670	870	1360	1120	400	2130	2020	70	44-56
80	2000	760	950	1555	1335	520	2345	2230	75	48-62
88	2200	800	1030	1725	1415	520	2555	2440	81	52-62
96	2400	850	1110	1745	1515	520	2765	2650	86	56-62

Cast Steel(SS) Butterfly Valve(Grooved)

Butterfly Valves



- Design and Manufacture Conform to AWWA C504
- Groove dimensions Conform to AWWA C606
- Face to Face dimensions Conform to MSS-SP70
- Testing Conform to AWWA C504/EN593
- Working Pressure 300PSI



MATERIALS

PART NAME	MATERIAL
BODY	CF8/CF8M/CF3/CF3M
DISC	CF8/CF8M/CF3/CF3M
STEM	SS431/SS304/SS316/SS420
HOUSING	ASTM A536 65-45-12
HANDWHEEL(OPTIONAL)	CF8/CF8M/CF3/CF3M

DIMENSIONS(mm)

DN	OD	A	B	C	D	E	S	R
50	60.3	81	62.5	51	102	12	8	14.5
65	73	96.8	75.1	57	108	12	9	14.5
65	76.1	96.8	75.1	57	108	12	9	14.5
80	88.9	96.8	90.2	70	115	16	12.5	28.5
100	114.3	115.8	116	88	135	20	14.5	28.5
125	139.7	147.6	141.3	100	150	24	16.5	28.5
125	141.3	147.6	141.3	100	150	24	16.5	28.5
150	165.1	147.6	168.3	118	165	24	16.5	28.5
150	168.3	147.6	168.3	118	165	24	16.5	28.5
200	216.3	133.4	219.1	148	190	28	20.5	30.5
200	219.1	133.4	219.1	148	190	28	20.5	30.5
250	267.4	158.8	273	180	220	32	24.5	30.5
250	273	158.8	273	180	220	32	24.5	30.5
300	318.5	165.1	324	205	240	34	24.5	30.5
300	323.9	165.1	324	205	240	34	24.5	30.5

Cast Iron Swing Check Valve(2" ~32")

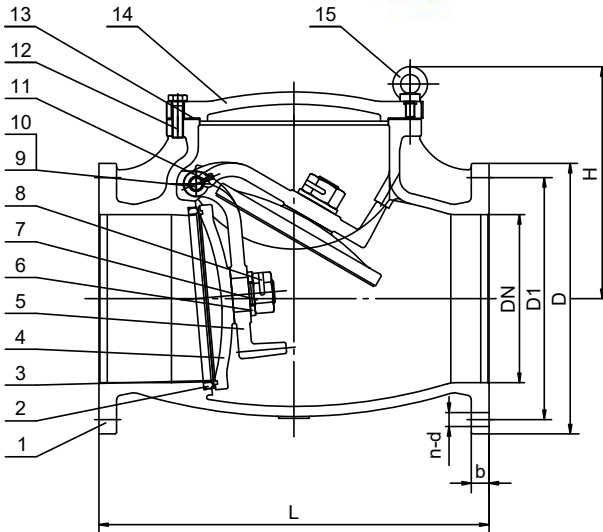
Check Valves



- Design and Manufacture Conform to MSS SP-71
- Flange dimensions Conform to ASME B16.1, Class125
- Face to Face dimensions Conform to ASME B16.10
- Testing Conform to MSS SP-71
- Working Pressure 300PSI

MATERIALS

No.	PART NAME	MATERIAL
1	BODY	ASTM A126 B
2	SEAT RING	ASTM B62 or 13Cr
3	DISC SEAL RING	ASTM B62 or 13Cr
4	DISC	ASTM A126 B
5	HINGE	ASTM A216 WCB
6	WASHER	CARBON STEEL
7	NUT	ASTM A563
8	SPLIT PIN	ASTM A276 304
9	HINGE PIN	ASTM A276 420
10	PLUG	MALLEABLE CAST IRON
11	STOP SCREW	ASTM A307 B
12	BOLT	ASTM A307 B
13	BONNET GASKET	GRAPHITE+STEEL
14	BONNET	ASTM A126 B
15	EYE SCREW	ASTM A307 B



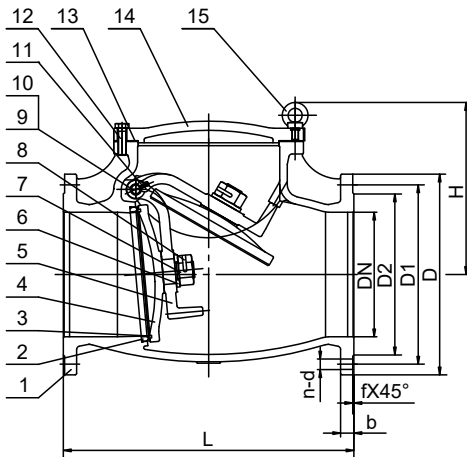
DIMENSIONS(mm)

NPS	DN	L	D	D1	b	n-d	H
2	50	203.2	152	120.7	15.8	4-19	117
2.5	65	215.9	178	139.7	17.5	4-19	127
3	80	241.3	191	152.4	19	4-19	145
4	100	292.1	229	190.5	23.9	8-19	161
5	125	330.2	254	215.9	23.9	8-22	190
6	150	355.6	279	241.3	25.4	8-22	248
8	200	495.3	343	298.5	28.5	8-22	303
10	250	622.3	406	362	30.2	12-25	365
12	300	698.5	483	431.8	31.8	12-25	410
14	350	787.4	533	476.3	35	12-29	533
16	400	914.4	597	539.8	36.6	16-29	585
18	450	914.4	635	577.9	39.6	16-32	636
20	500	1016	699	635	42.9	20-32	711
24	600	1219	813	749.3	47.8	20-35	805
30	750	1327	984	914.5	53.9	28-35	890
32	800	1359	1060	977.9	60	28-41	940

Cast Iron Swing Check Valve(DN50~DN800)

Check Valves

- Design and Manufacture Conform to BS EN12334
- Flange dimensions Conform to EN1092-2 PN16
- Face to Face dimensions Conform to EN558
- Testing Conform to EN12266
- Working Pressure PN16



MATERIALS

No.	PART NAME	MATERIAL(C.I.)	MATERIAL(D.I.)
1	BODY	EN1561 EN-GJL-200	EN1563 EN-JS1040
2	SEAT RING	EN1982 CC491K or 13Cr	EN1982 CC491K or 13Cr
3	DISC SEAL RING	EN1982 CC491K or 13Cr	EN1982 CC491K or 13Cr
4	DISC	EN1561 EN-GJL-200	EN1563 EN-JS1040
5	HINGE	WCB	WCB
6	WASHER	CARBON STEEL	CARBON STEEL
7	NUT	ISO 630-E235B 5.0	ISO 630-E235B 5.0
8	SPLIT PIN	304	304
9	HINGE PIN	13Cr	13Cr
10	PLUG	EN-GJMB-300-06	EN-GJMB-300-06
11	STOP SCREW	ISO 630-E235B 4.8	ISO 630-E235B 4.8
12	BOLT	ISO 630-E235B 4.8	ISO 630-E235B 4.8
13	BONNET GASKET	GRAPHITE+STEEL	GRAPHITE+STEEL
14	BONNET	EN1561 EN-GJL-200	EN1563 EN-JS1040
15	EYE SCREW	ISO 630-E235B 4.8	ISO 630-E235B 4.8

DIMENSIONS(mm)

NPS	DN	L	D	D1	D2	b	n-d	f	H
2	50	203	165	125	99	20	4-19	2	117
2.5	65	216	185	145	118	20	4-19	2	127
3	80	241	200	160	132	22	8-19	2	145
4	100	292	220	180	156	24	8-19	2	161
5	125	330	250	210	184	26	8-19	2	190
6	150	356	285	240	211	26	8-23	2	248
8	200	495	340	295	266	30	12-23	2	303
10	250	622	405	355	319	32	12-28	2	365
12	300	698	460	410	370	32	12-28	2	410
14	350	787	520	470	429	36	16-28	2	533
16	400	914	580	525	480	38	16-31	2	585
18	450	914	640	585	548	40	20-31	2	636
20	500	1016	715	650	609	42	20-34	2	711
24	600	1219	840	770	720	48	20-37	2	805
30	750	1327	910	840	794	54	24-37	2	890
32	800	1359	1025	950	901	58	24-41	2	940

Resilient-Seated Ductile Iron Swing Check Valve(2" ~12")

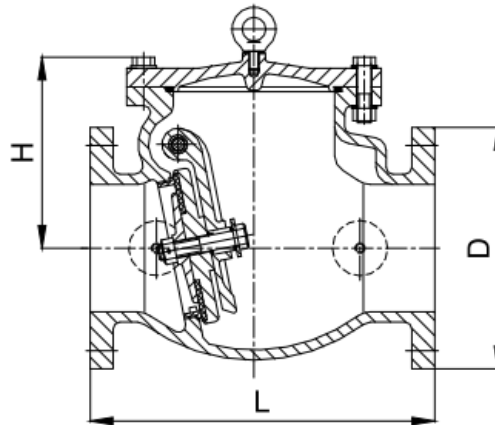
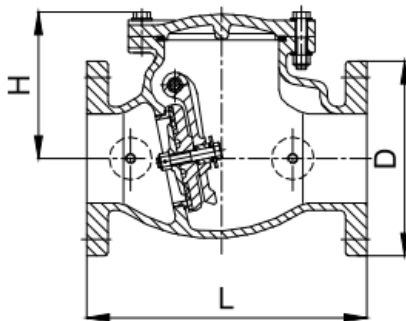
Check Valves



- Design and Manufacture Conform to AWWA C508
- Flange dimensions Conform to ASME B16.1, Class125
- Face to Face dimensions Conform to ASME B16.10
- Testing Conform to AWWA C508
- Working Pressure 300PSI

MATERIALS

PART NAME	MATERIAL
BODY	ASTM A536 65-45-12
COVER	ASTM A536 65-45-12
CLAPPER	ASTM A536 65-45-12+EPDM
CLAPPER ARM	ASTM A536 65-45-12
HINGE PIN	SS431/SS304/SS316/SS420
SEAT	Bronze/SS304



DIMENSIONS(mm)

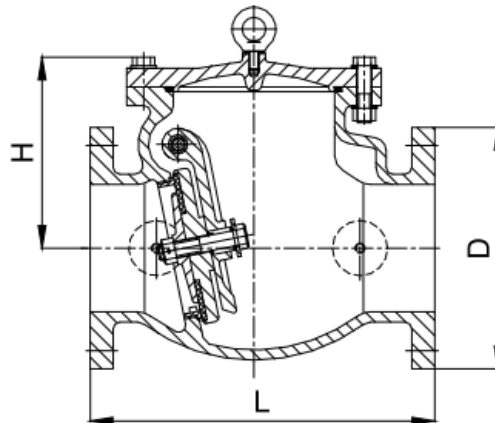
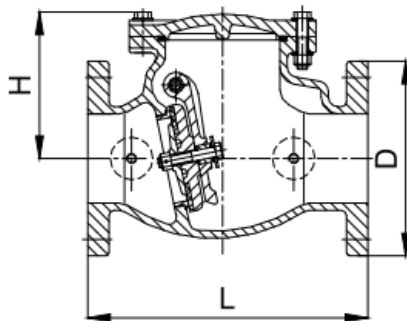
NPS	DN	L	D	K	b	n-d	H
2	50	203	152	120.7	15.8	4-19	133
2.5	65	254	178	139.7	17.5	4-19	150
3	80	278	191	152.4	19	4-19	180
4	100	330	229	190.5	23.9	8-19	218
6	150	406	279	241.3	25.4	8-22	290
8	200	495	343	298.5	28.5	8-22	330
10	250	600	406	362	30.2	12-25	350
12	300	620	483	431.8	31.8	12-25	376



- Design and Manufacture Conform to BS5153
- Flange dimensions Conform to EN1092-2,PN16
- Face to Face dimensions Conform to EN558
- Testing Conform to BS5153
- Working Pressure PN16

MATERIALS

PART NAME	MATERIAL
BODY	EN1563 EN-JS1040
COVER	EN1563 EN-JS1040
CLAPPER	EN1563 EN-JS1040+EPDM
CLAPPER ARM	EN1563 EN-JS1040
HINGE PIN	SS431/SS304/SS316/SS420
SEAT	Bronze/SS304

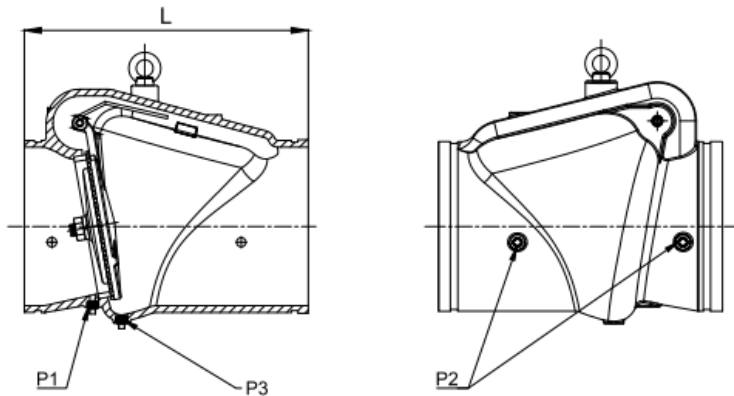

DIMENSIONS(mm)

NPS	DN	L	D	K	b	n-d	H
2	50	203	165	125	19	4-19	133
2.5	65	254	185	145	19	4-19	150
3	80	278	200	160	19	8-19	180
4	100	330	220	180	19	8-19	218
6	150	406	285	240	19	8-23	290
8	200	495	340	295	20	12-23	330
10	250	600	400	355	22	12-28	350
12	300	620	455	410	24.5	12-28	376

- Design and Manufacture Conform to AWWA/BS
- Groove dimensions Conform to AWWA C606
- Testing Conform to AWWA C508
- Working Pressure 300PSI


MATERIALS

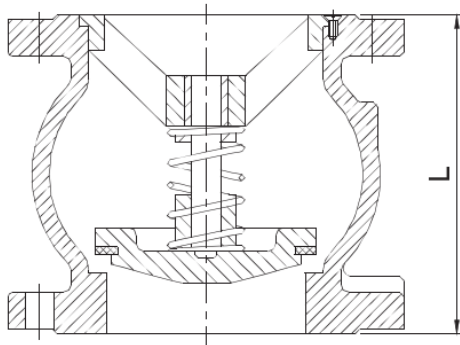
PART NAME	MATERIAL
BODY	ASTM A536 65-45-12
DISC	ASTM A536 65-45-12/SS304 +EPDM
ARM	ASTM A536 65-45-12/SS304
HINGE PIN	SS431/SS304/SS316/SS420
SEAT	Bronze/SS304


DIMENSIONS(mm)

NPS	DN	L	OD	A	B	P1	P2	P3
2	50	171	60.3	15.88	7.93	1/2	3/8	1/2
2.5	65	184	73.0/76.1	15.88	7.93	1/2	3/8	1/2
3	80	197	88.9	15.88	7.93	1/2	3/8	1/2
4	100	210	114.3	15.88	9.53	1/2	1/2	1/2
5	125	248	139.7/141.3	15.88	9.53	1/2	1/2	1/2
6	150	324	165.1/168.3	15.88	9.53	1/2	1/2	1/2
8	200	371	219.1	19.05	11.1	1/2	1/2	1/2
10	250	457	273.0	19.05	12.7	1/2	1/2	1/2
12	300	535	323.9	19.05	12.7	1/2	1/2	1/2



- Flange dimensions Conform to ASME B16.1,Class125
- Working Pressure 300PSI



MATERIALS

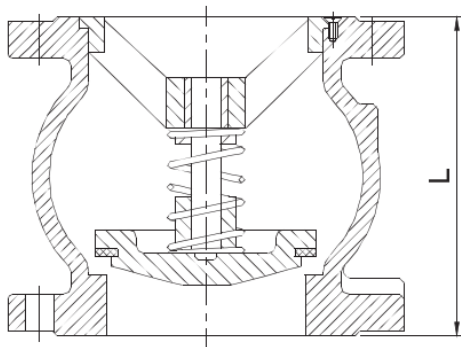
PART NAME	MATERIAL
BODY	ASTM A536 65-45-12
SEAT	Bronze/SS304
DISC	ASTM A536 65-45-12+EPDM
STEM	SS431/SS304/SS316/SS420
SPRING	SS304

DIMENSIONS(mm)

NPS	DN	L	D	K	b	n-d
2	50	100	152	120.7	15.8	4-19
2.5	65	120	178	139.7	17.5	4-19
3	80	140	191	152.4	19	4-19
4	100	170	229	190.5	23.9	8-19
5	125	200	254	215.9	23.9	8-22
6	150	230	279	241.3	25.4	8-22
8	200	288	343	298.5	28.5	8-22
10	250	254	406	362	30.2	12-25
12	300	410	483	431.8	31.8	12-25



- Flange dimensions Conform to EN1092-2,PN16
- Working Pressure PN16



MATERIALS

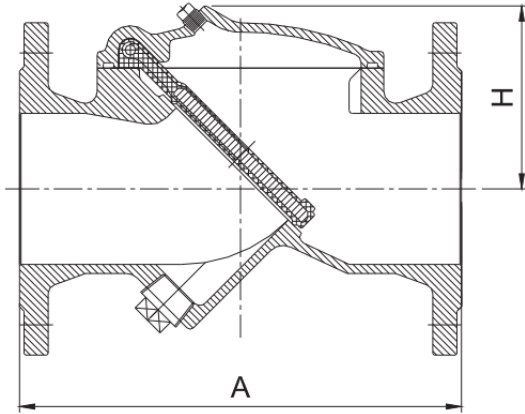
PART NAME	MATERIAL
BODY	EN1563 EN-JS1040
SEAT	Bronze/SS304
DISC	EN1563 EN-JS1040+EPDM
STEM	SS431/SS304/SS316/SS420
SPRING	SS304

DIMENSIONS(mm)

NPS	DN	L	D	K	b	n-d
2	50	100	165	125	19	4-19
2.5	65	120	185	145	19	4-19
3	80	140	200	160	19	8-19
4	100	170	220	180	19	8-19
5	125	200	250	210	19	8-19
6	150	230	285	240	19	8-23
8	200	288	340	295	20	12-23
10	250	254	400	355	22	12-28
12	300	410	455	410	24.5	12-28



- Flange dimensions Conform to ASME B16.1,Class125
- Working Pressure 300PSI



MATERIALS

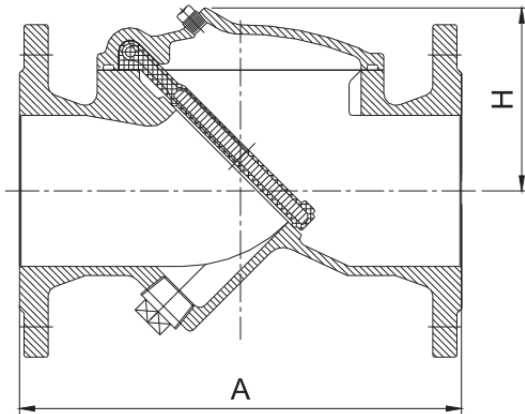
PART NAME	MATERIAL
BODY	ASTM A536 65-45-12
COVER	ASTM A536 65-45-12
DISC	ASTM A536 65-45-12+EPDM
GASKET	EPDM

DIMENSIONS(mm)

NPS	DN	A	H	D	K	b	n-d
2	50	204	94	152	120.7	15.8	4-19
2.5	65	216	95	178	139.7	17.5	4-19
3	80	241	107	191	152.4	19	4-19
4	100	292	122	229	190.5	23.9	8-19
5	125	349	139	254	215.9	23.9	8-22
6	150	382	160	279	241.3	25.4	8-22
8	200	495	210	343	298.5	28.5	8-22
10	250	622	250	406	362	30.2	12-25
12	300	698	290	483	431.8	31.8	12-25



- Flange dimensions Conform to EN1092-2,PN16
- Working Pressure PN16



MATERIALS

PART NAME	MATERIAL
BODY	EN1563 EN-JS1040
COVER	EN1563 EN-JS1040
DISC	EN1563 EN-JS1040+EPDM
GASKET	EPDM

DIMENSIONS(mm)

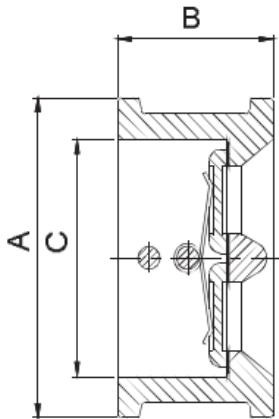
NPS	DN	A	H	D	K	b	n-d
2	50	204	94	165	125	19	4-19
2.5	65	216	95	185	145	19	4-19
3	80	241	107	200	160	19	8-19
4	100	292	122	220	180	19	8-19
5	125	349	139	250	210	19	8-19
6	150	382	160	285	240	19	8-23
8	200	495	210	340	295	20	12-23
10	250	622	250	400	355	22	12-28
12	300	698	290	455	410	24.5	12-28

Wafer Double Door Ductile Iron Check Valve(2" ~12")

Check Valves



- Connected Flange dimensions Conform to ASME B16.1,Class125
- Working Pressure 300PSI



MATERIALS

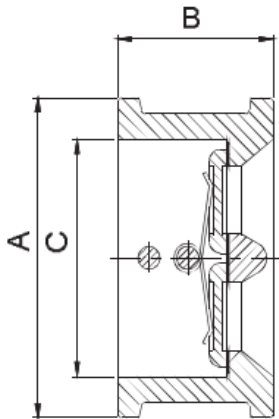
PART NAME	MATERIAL
BODY	ASTM A536 65-45-12
HINGE PIN	SS431/SS304/SS316/SS420
DISC	SS304+EPDM
WASHER	PTFE
SPRING	SS304

DIMENSIONS(mm)

NPS	DN	A	B
2	50	102	54
2.5	65	121	54
3	80	134	57
4	100	172	64
5	125	194	70
6	150	220	76
8	200	277	95
10	250	337	108
12	300	407	143



- Connected Flange dimensions Conform to EN1092-2 PN16
- Working Pressure PN16



MATERIALS

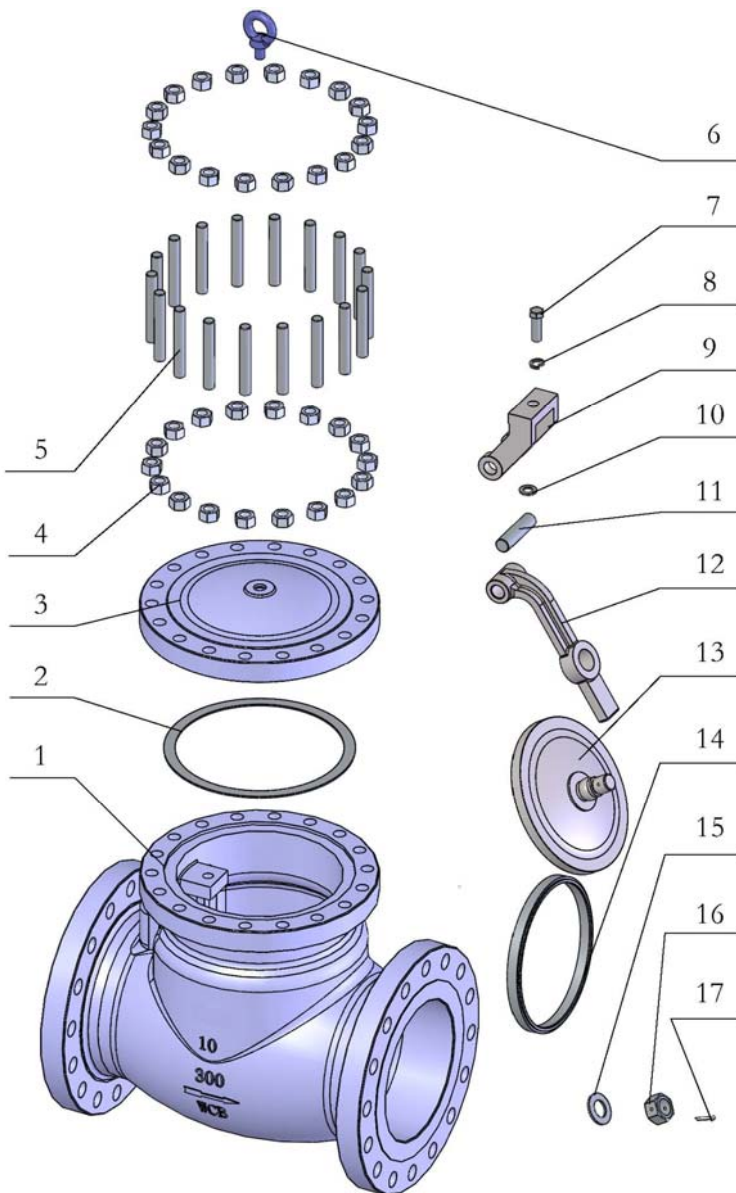
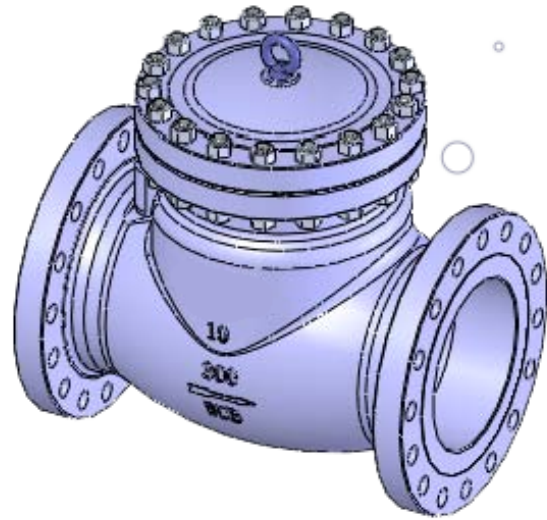
PART NAME	MATERIAL
BODY	EN1563 EN-JS1040
HINGE PIN	SS431/SS304/SS316/SS420
DISC	SS304+EPDM
WASHER	PTFE
SPRING	SS304

DIMENSIONS(mm)

NPS	DN	A	B
2	50	106	54
2.5	65	126	54
3	80	141	57
4	100	161	64
5	125	191	70
6	150	217	76
8	200	272	95
10	250	327	108
12	300	382	143

Applicable Standards:

- Basic Design: ASME B16.34、BS1868、API594
- Face to Face Dimensions: ASME B16.10
- End Flange Dimensions: ASME B16.5
- Butt Welding End: ASME B16.25
- Inspection and Test: API 598
- Materials: ASTM



- 1、 BODY
- 2、 GASKET
- 3、 COVER
- 4、 NUT
- 5、 STUD
- 6、 LIFTING BOLT
- 7、 BRACKET BOLT
- 8、 SPRING WASHER
- 9、 BRACKET
- 10、 ADJUSTABLE WASHER
- 11、 PIN
- 12、 HINGE
- 13、 DISC
- 14、 SEAT
- 15、 WASHER
- 16、 DISC NUT
- 17、 SPLIT PIN

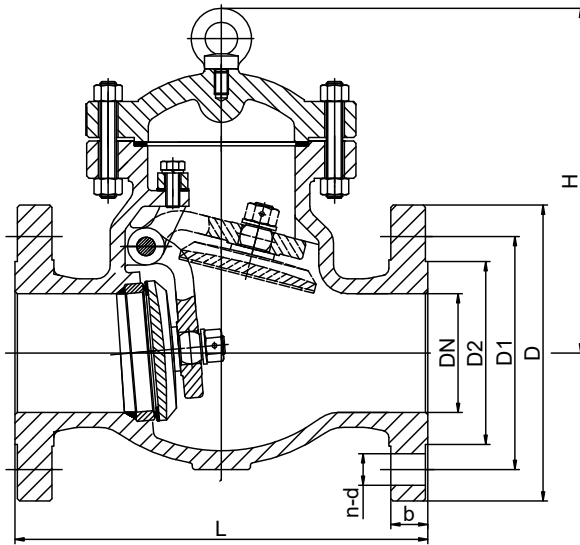


Cast Steel Check Valve

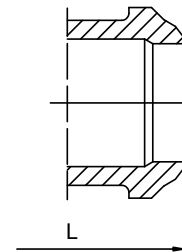
Check Valves

Materials of Main Parts

PART NAME	MATERIAL				
	CARBON STEEL	LOW-TEM. STEEL	HIGH-TEM. STEEL	STAINLESS STEEL	ANTI-SULFUR STEEL
BODY	ASTM A216 WCB	ASTM A352 LCB	ASTM A217 WC6	ASTM A351 CF8M	ASTM A216 WCB
SEAT	ASTM A105	ASTM A182 F304	ASTM A182 F11	ASTM A182 F316	ASTM A105
DISC	ASTM A216 WCB	ASTM A352 LCB	ASTM A217 WC6	ASTM A351 CF8M	ASTM A216 WCB
SEALING FACE	PER 8-Trim	PER 8-Trim	PER 8-Trim	PER 8-Trim	PER 8-Trim-C
HINGE	ASTM A216 WCB	ASTM A352 LCB	ASTM A217 WC6	ASTM A351 CF8M	ASTM A216 WCB
DISC NUT	CARBON STEEL+Zn	ASTM A276 304	ASTM A276 420	ASTM A276 316	ASTM A276 420-NC
SPLIT PIN	ASTM A276 304	ASTM A276 304	ASTM A276 304	ASTM A276 316	ASTM A276 304
HINGE PIN	ASTM A276 420	ASTM A276 304	ASTM A276 420	ASTM A276 316	ASTM A276 420-NC
BRACKET	ASTM A216 WCB	ASTM A352 LCB	ASTM A217 WC6	ASTM A351 CF8M	ASTM A216 WCB
BRACKET BOLT	CARBON STEEL+Zn	ASTM A276 304	ASTM A276 420	ASTM A276 316	ASTM A276 420-NC
GASKET	304+GRAPHITE	304+GRAPHITE	304+GRAPHITE	316+GRAPHITE	304+GRAPHITE
COVER	ASTM A216 WCB	ASTM A352 LCB	ASTM A217 WC6	ASTM A351 CF8M	ASTM A216 WCB
COVER STUD	ASTM A193 B7	ASTM A320 L7	ASTM A193 B16	ASTM A193 B8	ASTM A193 B7M
COVER NUT	ASTM A194 2H	ASTM A194 4	ASTM A194 4	ASTM A194 8	ASTM A194 2HM



WELDING END



DIMENSIONS(mm) Class150

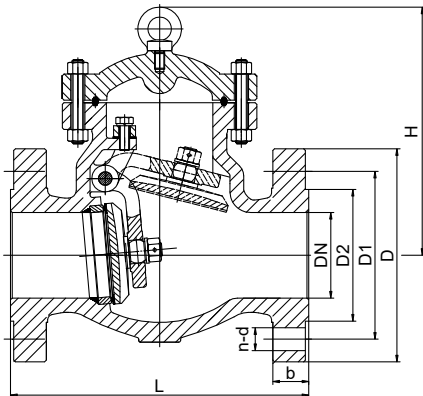
NPS	DN	L (RF)	L (BW)	D	D1	D2	b	n-d	H
2	50	203	203	152	120.7	92	15.9	4-19	134
2.5	65	216	216	178	139.7	105	17.5	4-19	141
3	80	241	241	190	152.4	127	19.1	4-19	167
4	100	292	292	229	190.5	157	23.9	8-19	200
5	125	330	330	254	215.9	186	23.9	8-22	249
6	150	356	356	279	241.3	216	25.4	8-22	276
8	200	495	495	343	298.5	270	28.5	8-22	325
10	250	622	622	406	362	324	30.2	12-25	386
12	300	698	698	483	431.8	381	31.8	12-25	437
14	350	787	787	533	476.3	413	35	12-29	486
16	400	864	864	597	539.8	470	36.6	16-29	528
18	450	978	978	635	577.9	533	39.6	16-32	591
20	500	978	978	699	635.0	584	42.9	20-32	633
24	600	1295	1295	813	749.3	692	47.8	20-35	692

DIMENSIONS(mm) Class300

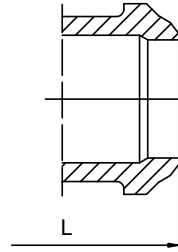
NPS	DN	L (RF)	L (BW)	D	D1	D2	b	n-d	H
2	50	267	267	165	127	92	22.2	8-19	143
2.5	65	292	292	190	149.2	105	25.4	8-22	157
3	80	318	318	210	168.3	127	28.6	8-22	183
4	100	356	356	254	200	157	31.8	8-22	216
5	125	400	400	279	235	186	34.9	8-22	273
6	150	444	444	318	269.9	216	36.5	12-22	293
8	200	533	533	381	330.2	270	41.3	12-25	354
10	250	622	622	445	387.3	324	47.6	16-29	412
12	300	711	711	521	450.8	381	50.8	16-32	474
14	350	838	838	584	514.3	413	54.0	20-32	529
16	400	864	864	648	571.9	470	57.2	20-35	589
18	450	978	978	711	628.7	533	60.3	24-35	655
20	500	1016	1016	775	685.8	584	63.5	24-35	715
24	600	1346	1346	914	812.8	692	69.9	24-41	855

Cast Steel Check Valve Class600、900、1500

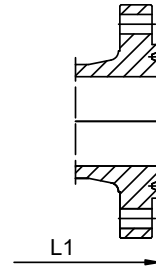
Check Valves



WELDING END



RJ END



DIMENSIONS(mm) Class600

NPS	DN	L (RF-BW)	L1 (RJ)	D	D1	D2	b	n-d	H
2	50	292	295	165	127	92	31.8	8-19	198
2.5	65	330	333	190	149.4	105	35.0	8-22	223
3	80	356	359	210	168.2	127	38.2	8-22	242
4	100	432	435	273	215.9	157	44.5	8-25	283
5	125	508	511	330	266.7	186	50.9	8-29	335
6	150	559	562	356	292.1	216	54.1	12-29	364
8	200	660	663	419	349.3	270	62	12-32	426
10	250	787	790	508	431.8	324	69.9	16-35	506
12	300	838	841	559	489	381	73.1	20-35	576
14	350	889	892	603	527.1	413	76.3	20-38	675
16	400	991	994	686	603.3	470	82.6	20-41	718
18	450	1092	1095	743	654.1	533	89	20-44	792
20	500	1192	1198	813	723.9	584	95.3	24-44	856
24	600	1397	1407	940	838.2	692	108	24-51	1018

DIMENSIONS(mm) Class900

NPS	DN	L (RF-BW)	L1 (RJ)	D	D1	D2	b	n-d	H
2	50	368	371	215	165.1	92	44.5	8-25	211
2.5	65	419	422	245	190.5	105	47.7	8-29	258
3	80	381	384	240	190.5	127	44.5	8-25	286
4	100	457	460	290	235.0	157	50.9	8-32	335
5	125	559	562	350	279.4	186	57.2	8-35	386
6	150	610	613	380	317.5	216	62.0	12-32	422
8	200	737	740	470	393.7	270	69.9	12-38	548
10	250	838	841	545	469.9	324	76.3	16-38	585
12	300	965	968	610	533.4	381	85.8	20-38	663

DIMENSIONS(mm) Class1500

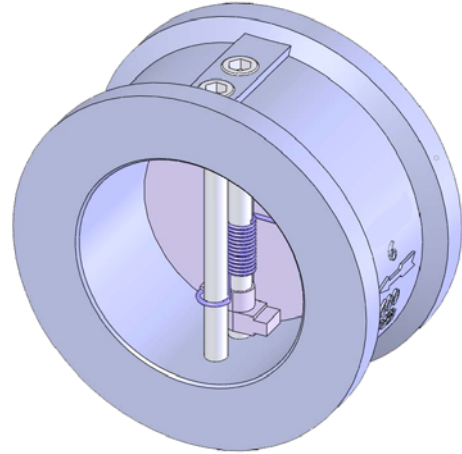
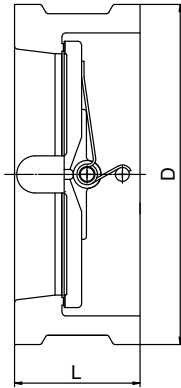
NPS	DN	L (RF-BW)	L1 (RJ)	D	D1	D2	b	n-d	H
2	50	368	371	215	165.1	92	44.5	8-25	211
2.5	65	419	422	245	190.5	105	47.7	8-29	258
3	80	470	473	265	203.2	127	54.1	8-32	286
4	100	546	549	310	241.3	157	60.4	8-35	355
6	150	705	711	395	317.5	216	89.0	12-38	470
8	200	832	842	485	393.7	270	98.5	12-44	561
10	250	991	1001	585	482.6	324	114.4	12-51	675
12	300	1130	1146	675	571.5	381	130.3	16-54	840

Dual-Plate Check Valve Class150~1500

Check Valves

Applicable Standards:

- Basic Design: API594、API6D
- Face to Face Dimensions: API594、ASME B16.10
- End Flange Dimensions: ASME B16.5
- Inspection and Test : API 598
- Materials: ASTM



Materials of Main Parts

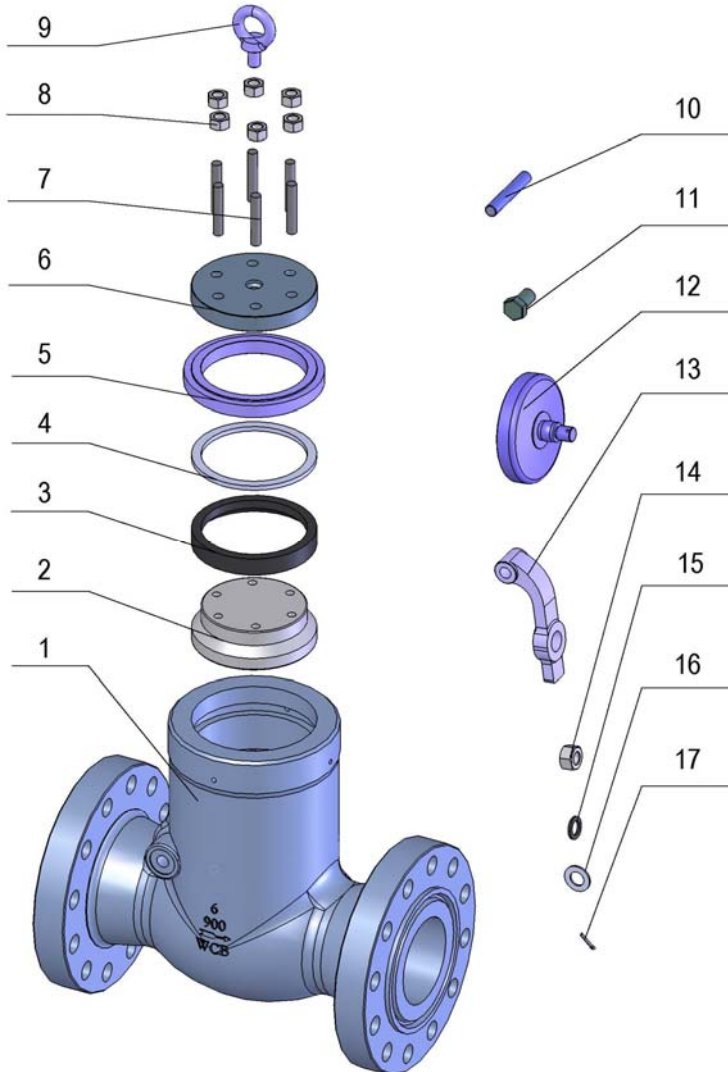
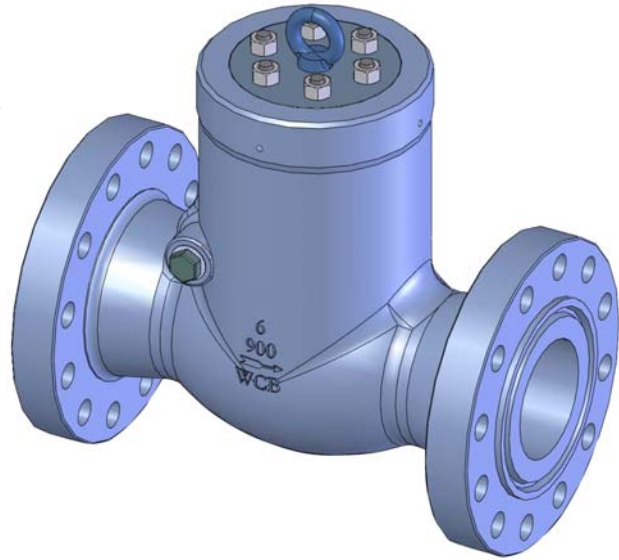
PART NAME	MATERIAL				
	CARBON STEEL	STAINLESS STEEL	STAINLESS STEEL	STAINLESS STEEL	STAINLESS STEEL
BODY	ASTM A216 WCB	ASTM A351 CF8	ASTM A351 CF8M	ASTM A351 CF3	ASTM A351 CF3M
DISC	ASTM A216 WCB	ASTM A351 CF8	ASTM A351 CF8M	ASTM A351 CF3	ASTM A351 CF3M
SEALING FACE	API600 TRIM NO.	API600 TRIM NO.	API600 TRIM NO.	API600 TRIM NO.	API600 TRIM NO.
SPRING	INCONEL、17-7PH				
SHAFT	ASTM A276 410	ASTM A276 304	ASTM A276 316	ASTM A276 304L	ASTM A276 316L

DIMENSIONS(mm)

NPS	DN	Class150			Class300			Class600			Class900			Class1500		
		L	D	W.T	L	D	W.T	L	D	W.T	L	D	W.T	L	D	W.T
2	50	60	103	2	60	110	3	60	110	4	70	140	8	70	140	8
2.5	65	67	122	3	67	128	4	67	128	5	83	162	11	83	162	11
3	80	73	135	4	73	147	6	73	147	8	83	165	14	83	172	19
4	100	73	173	6	73	179	8	79	191	11	102	204	20	102	207	26
5	125	86	195	8	86	214	15	105	239	20	110	245	30	110	252	51
6	150	98	220	13	98	249	18	136	264	26	159	286	42	159	280	68
8	200	127	277	25	127	305	31	165	618	55	206	356	84	206	350	130
10	250	146	337	39	146	359	51	213	398	95	241	432	145	248	433	210
12	300	181	407	54	181	420	77	229	455	140	292	495	220	305	518	384
14	350	184	448	80	222	483	117	273	490	223	356	518	350	356	576	550
16	400	191	512	117	232	537	190	305	562	360	384	572	470	384	639	630
18	450	203	547	138	264	594	200	362	610	395	451	635	605	-	-	-
20	500	219	604	163	292	652	265	368	680	518	451	695	820	-	-	-
24	600	222	715	331	318	772	410	438	786	836	495	835	1050	-	-	-

Applicable Standards:

- Basic Design: ASME B16.34、BS1868、API594
- Face to Face Dimensions: ASME B16.10
- End Flange Dimensions: ASME B16.5
- Butt Welding End: ASME B16.25
- Inspection and Test: API 598
- Materials: ASTM



- 1、 BODY
- 2、 BONNET
- 3、 SEALING RING
- 4、 GASKET
- 5、 FOUR PIECE RING
- 6、 SUPPORT RING
- 7、 STUD
- 8、 NUT
- 9、 LIFT BOLT
- 10、 HINGE PIN
- 11、 PLUG
- 12、 DISC
- 13、 HINGE
- 14、 DISC NUT
- 15、 SPRING WASHER
- 16、 WASHER
- 17、 SPLIT PIN



Pressure Seal Cast Steel Check Valve

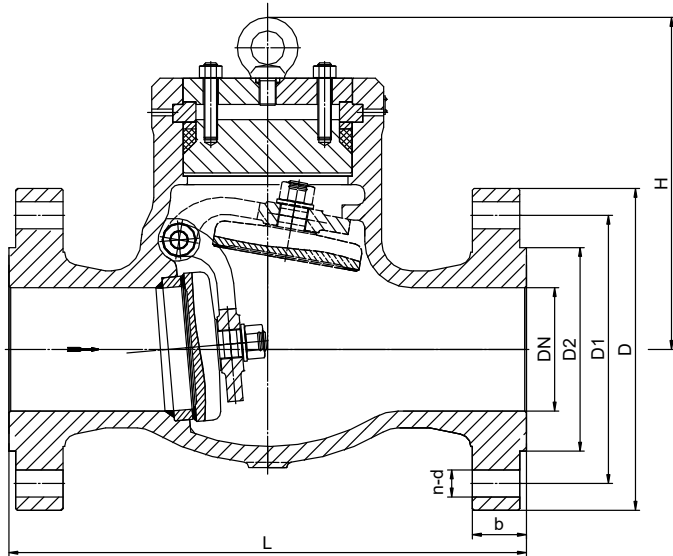
Check Valves

Materials of Main Parts

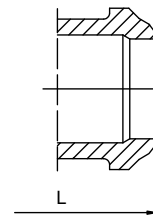
PART NAME	MATERIAL				
	CARBON STEEL	STAINLESS STEEL	HIGH-TEMPERATURE STEEL		
BODY	ASTM A216 WCB	ASTM A351 CF8M	ASTM A217 WC6	ASTM A217 WC9	ASTM A217 C5
SEAT	ASTM A105	ASTM A182 F316	ASTM A182 F11	ASTM A182 F22	ASTM A182 F5a
DISC	ASTM A216 WCB	ASTM A351 CF8M	ASTM A217 WC6	ASTM A217 WC9	ASTM A217 C5
SEALING FACE	PER 8-Trim 5、5A	PER 8-Trim 5、5A	PER 8-Trim 5、5A	PER 8-Trim 5、5A	PER 8-Trim 5、5A
HINGE	ASTM A216 WCB	ASTM A352 LCB	ASTM A217 WC6	ASTM A217 WC9	ASTM A217 C5
DISC NUT	CARBON STEEL+Zn	ASTM A276 316	ASTM A276 420	ASTM A276 420	ASTM A276 420
SPLIT PIN	ASTM A276 304	ASTM A276 316	ASTM A276 304	ASTM A276 304	ASTM A276 304
HINGE PIN	ASTM A276 420	ASTM A276 316	ASTM A276 420	ASTM A276 420	ASTM A276 420
PLUG	ASTM A105	ASTM A182 F316	ASTM A182 F304	ASTM A182 F304	ASTM A182 F304
SEALING RING	GRAPHITE+304	GRAPHITE+316	GRAPHITE+304	GRAPHITE+304	GRAPHITE+304
FOUR PCS RING	ASTM A182 F6a	ASTM A182 F316	ASTM A182 F11	ASTM A182 F22	ASTM A182 F5a
SUPPORT RING	ASTM A182 F6a	ASTM A182 F316	ASTM A182 F6a	ASTM A182 F6a	ASTM A182 F6a
BONNET	ASTM A216 WCB	ASTM A351 CF8M	ASTM A217 WC6	ASTM A217 WC9	ASTM A217 C5
STUD	ASTM A193 B7	ASTM A193 B8	ASTM A193 B16	ASTM A193 B16	ASTM A193 B16
NUT	ASTM A194 2H	ASTM A194 8	ASTM A194 4	ASTM A194 4	ASTM A194 4

Pressure Seal Cast Steel Check Valve Class900、1500

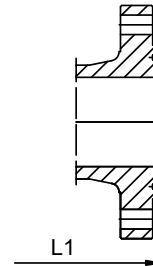
Check Valves



WELDING END



RJ END

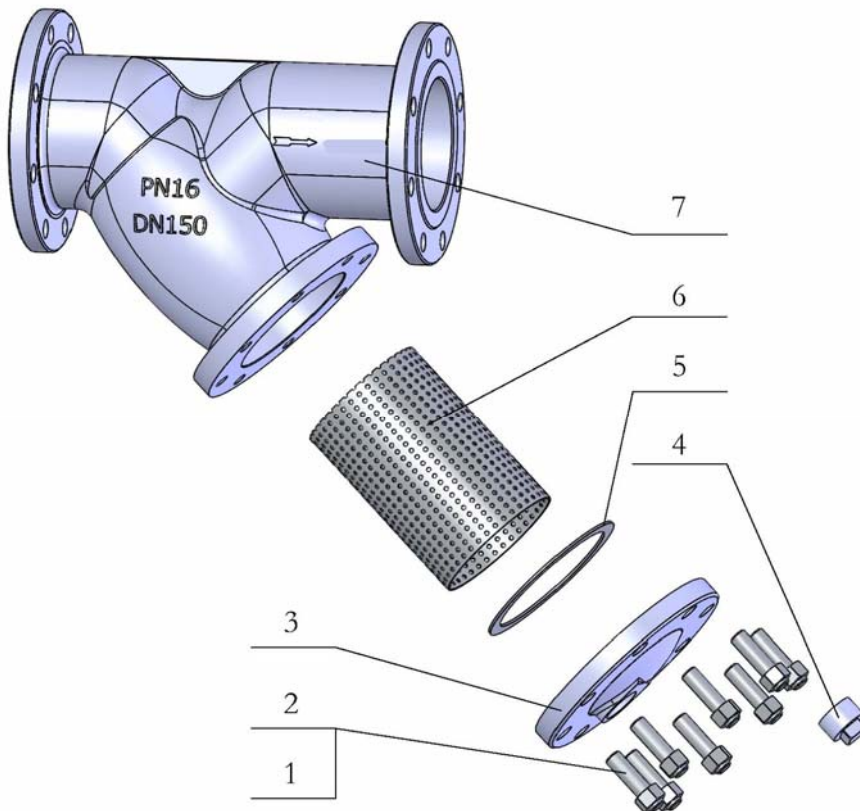
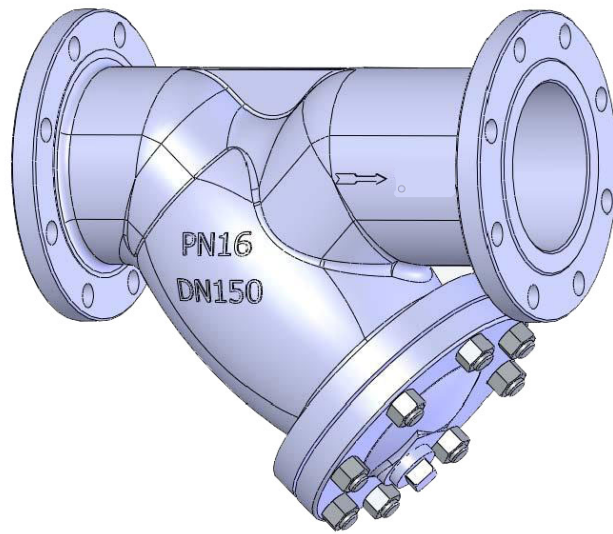


DIMENSIONS(mm) Class900

NPS	DN	L (RF-BW)	L1 (RJ)	D	D1	D2	b	n-d	H
2	50	368	371	215	165.1	92	44.5	8-25	230
2.5	65	419	422	245	190.5	105	47.7	8-29	247
3	80	381	384	240	190.5	127	44.5	8-25	257
4	100	457	460	290	235.0	157	50.9	8-32	315
5	125	559	562	350	279.4	186	57.2	8-35	338
6	150	610	613	380	317.5	216	62.0	12-32	393
8	200	737	740	470	393.7	270	69.9	12-38	445
10	250	838	841	545	469.9	324	76.3	16-38	518
12	300	965	968	610	533.4	381	85.8	20-38	578
14	350	1029	1039	640	558.8	413	92.2	20-41	668
16	400	1130	1140	705	616.0	470	95.3	20-44	708

DIMENSIONS(mm) Class1500

NPS	DN	L (RF-BW)	L1 (RJ)	D	D1	D2	b	n-d	H
2	50	368	371	215	165.1	92	44.5	8-25	246
2.5	65	419	422	245	190.5	105	47.7	8-29	271
3	80	470	473	265	203.2	127	54.1	8-32	308
4	100	546	549	310	241.3	157	60.4	8-35	332
5	125	673	536	375	292.1	186	79.5	8-41	386
6	150	705	711	395	317.5	216	89.0	12-38	428
8	200	832	842	485	393.7	270	98.5	12-44	523
10	250	991	1001	585	482.6	324	114.4	12-51	598
12	300	1130	1146	675	571.5	381	130.3	16-54	657
14	350	1257	1276	750	635.0	413	139.8	16-60	762
16	400	1384	1406	825	704.8	470	152.5	16-67	638

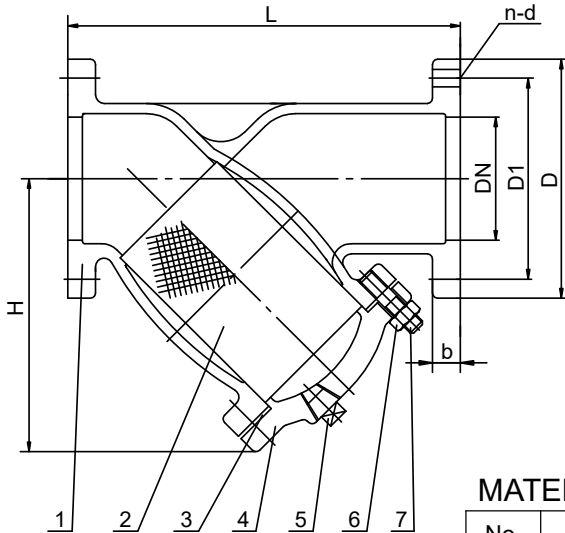


- 1. COVER STUD
- 2. COVER NUT
- 3. COVER
- 4. PLUG
- 5. GASKET
- 6. SCREEN
- 7. BODY

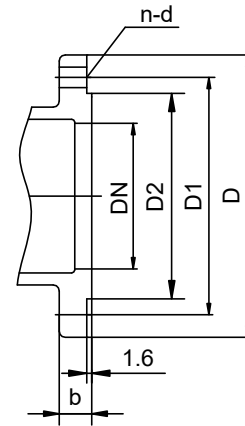
Cast Iron Y-Strainer (2" ~24")

Strainers

- Flange dimensions Conform to ASME B16.1/ASME B16.42
- The mesh of wire screen or the hole dimension of the perforated screen can be as per the customer's requirement.



Class150 Flanged Ends



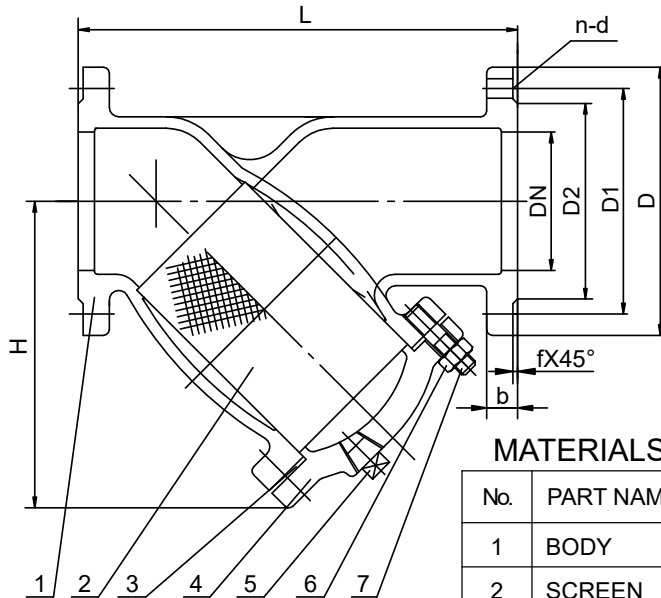
MATERIALS

No.	PART NAME	MATERIAL(C.I.)	MATERIAL(D.I.)
1	BODY	ASTM A126 B	ASTM A395 65-45-15
2	SCREEN	304	304
3	GASKET	GRAPHITE+STEEL	GRAPHITE+STEEL
4	COVER	ASTM A126 B	ASTM A395 65-45-15
5	PLUG	MALLEABLE CAST IRON	MALLEABLE CAST IRON
6	NUT	ASTM A563	ASTM A563
7	STUD	ASTM A307 B	ASTM A307 B

DIMENSIONS(mm)

NPS	DN	L	D	D1	D2	b	n-d	H
2	50	225.4	152	120.7	92	15.8	4-19	176
2.5	65	273	178	139.7	105	17.5	4-19	177
3	80	292.1	191	152.4	127	19	4-19	195
4	100	352.4	229	190.5	157	23.9	8-19	243
5	125	390.5	254	215.9	186	23.9	8-22	294
6	150	469.9	279	241.3	216	25.4	8-22	320
8	200	542.9	343	298.5	270	28.5	8-22	397
10	250	660.4	406	362	324	30.2	12-25	479
12	300	762	483	431.8	381	31.8	12-25	558
14	350	949	533	476.3	413	35	12-29	648
16	400	1079	597	539.8	470	36.6	16-29	752
18	450	1150	635	577.9	533	39.6	16-32	826
20	500	1275	699	635	584	42.9	20-32	860
24	600	1450	813	749.3	692	47.8	20-35	1020

- Flange dimensions Conform to EN1092-2 PN16
- Testing Conform to EN12266
- The mesh of wire screen or the hole dimension of the perforated screen can be as per the customer's requirement.


MATERIALS

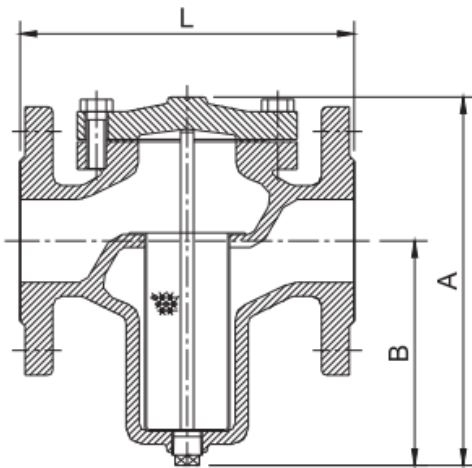
No.	PART NAME	MATERIAL(C.I.)	MATERIAL(D.I.)
1	BODY	EN1561 EN-GJL-200	EN1563 EN-JS1040
2	SCREEN	304	304
3	GASKET	GRAPHITE+STEEL	GRAPHITE+STEEL
4	COVER	EN1561 EN-GJL-200	EN1563 EN-JS1040
5	PLUG	EN-GJMB-300-06	EN-GJMB-300-06
6	NUT	ISO 630-E235B 5.0	ISO 630-E235B 5.0
7	STUD	ISO 630-E235B 4.8	ISO 630-E235B 4.8

DIMENSIONS(mm)

NPS	DN	L	D	D1	D2	b	n-d	f	H
2	50	220	165	125	99	20	4-19	2	174
2.5	65	270	185	145	118	20	4-19	2	171
3	80	290	200	160	132	22	8-19	2	189
4	100	350	220	180	156	24	8-19	2	232
5	125	390	250	210	184	26	8-19	2	285
6	150	440	285	240	211	26	8-23	2	309
8	200	540	340	295	266	30	12-23	2	397
10	250	660	405	355	319	32	12-28	2	479
12	300	720	460	410	370	32	12-28	2	557
14	350	949	520	470	429	36	16-28	2	648
16	400	1079	580	525	480	38	16-31	2	752
18	450	1150	640	585	548	40	20-31	2	826
20	500	1275	715	650	609	42	20-34	2	860
24	600	1450	840	770	720	48	20-37	2	1020



- Flange dimensions Conform to ASME B16.1,Class125
- The mesh of wire screen or the hole dimension of the perforated screen can be as per the customer's requirement.



MATERIALS

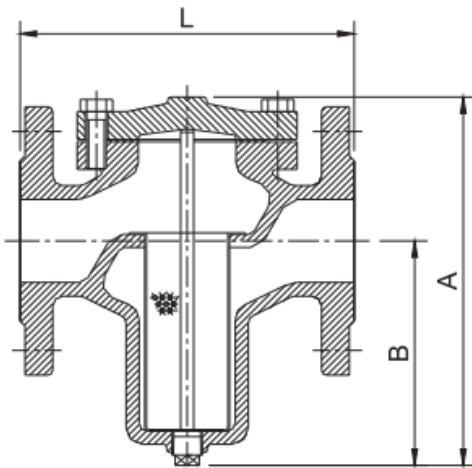
No.	PART NAME	MATERIAL(C.I.)	MATERIAL(D.I.)
1	BODY	ASTM A126 B	ASTM A395 65-45-15
2	SCREEN	304	304
3	GASKET	GRAPHITE+STEEL	GRAPHITE+STEEL
4	COVER	ASTM A126 B	ASTM A395 65-45-15
5	PLUG	MALLEABLE CAST IRON	MALLEABLE CAST IRON

DIMENSIONS(mm)

NPS	DN	L	A	B	D	K	b	n-d
2	50	207	225	128	152	120.7	15.8	4-19
2.5	65	210	250	155	178	139.7	17.5	4-19
3	80	251	297	190	191	152.4	19	4-19
4	100	292	330	202	229	190.5	23.9	8-19
5	125	334	370	218	254	215.9	23.9	8-22
6	150	378	410	243	279	241.3	25.4	8-22
8	200	475	530	305	343	298.5	28.5	8-22
10	250	511	615	335	406	362	30.2	12-25
12	300	680	770	425	483	431.8	31.8	12-25
14	350	769	850	508	533	476.3	35	12-29
16	400	842	920	535	597	539.8	36.6	16-29
18	450	842	970	535	635	577.9	39.6	16-32
20	500	842	1110	590	699	635	42.9	20-32
24	600	1054	1285	760	813	749.3	47.8	20-35



- Flange dimensions Conform to EN1092-2,PN16
- The mesh of wire screen or the hole dimension of the perforated screen can be as per the customer's requirement.


MATERIALS

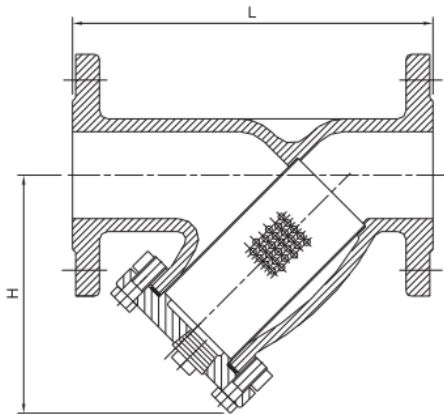
No.	PART NAME	MATERIAL(C.I.)	MATERIAL(D.I.)
1	BODY	EN1561 EN-GJL-200	EN1563 EN-JS1040
2	SCREEN	304	304
3	GASKET	GRAPHITE+STEEL	GRAPHITE+STEEL
4	COVER	EN1561 EN-GJL-200	EN1563 EN-JS1040
5	PLUG	MALLEABLE CAST IRON	MALLEABLE CAST IRON

DIMENSIONS(mm)

NPS	DN	L	A	B	D	K	b	n-d
2	50	207	225	128	165	125	20	4-19
2.5	65	210	250	155	185	145	20	4-19
3	80	251	297	190	200	160	22	8-19
4	100	292	330	202	220	180	24	8-19
5	125	334	370	218	250	210	26	8-19
6	150	378	410	243	285	240	26	8-23
8	200	475	530	305	340	295	30	12-23
10	250	511	615	335	405	355	32	12-28
12	300	680	770	425	460	410	32	12-28
14	350	769	850	508	520	470	36	16-28
16	400	842	920	535	580	525	38	16-31
18	450	842	970	535	640	585	40	20-31
20	500	842	1110	590	715	650	42	20-34
24	600	1054	1285	760	840	770	48	20-37



- Flange dimensions Conform to ASME B16.1, Class125
- Working Pressure 300PSI



MATERIALS

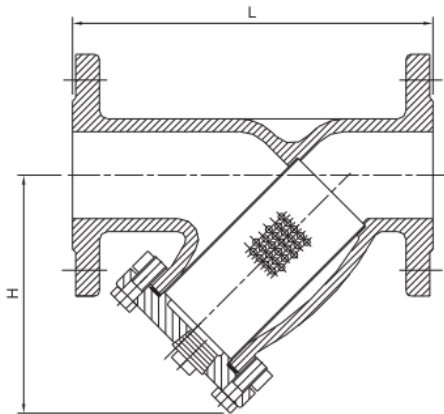
PART NAME	MATERIAL
BODY	ASTM A536 65-45-12
COVER	ASTM A536 65-45-12
SCREEN	SS304

DIMENSIONS(mm)

NPS	DN	L	D	K	b	n-d	H
2	50	230	152	120.7	15.8	4-19	149
2.5	65	273	178	139.7	17.5	4-19	180
3	80	295	191	152.4	19	4-19	203
4	100	352	229	190.5	23.9	8-19	244
5	125	416	254	215.9	23.9	8-22	285
6	150	470	279	241.3	25.4	8-22	324
8	200	543	343	298.5	28.5	8-22	393
10	250	660	406	362	30.2	12-25	473
12	300	770	483	431.8	31.8	12-25	554



- Flange dimensions Conform to EN1092-2,PN16
- Working Pressure PN16



MATERIALS

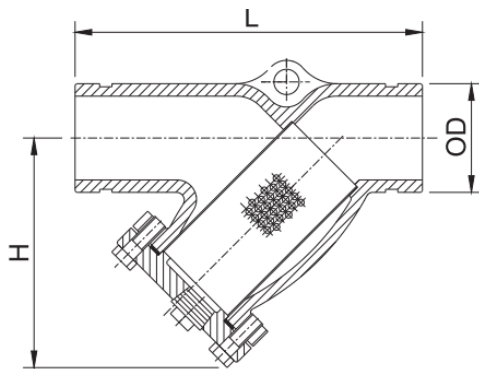
PART NAME	MATERIAL
BODY	EN1563 EN-JS1040
COVER	EN1563 EN-JS1040
SCREEN	SS304

DIMENSIONS(mm)

NPS	DN	L	D	K	b	n-d	H
2	50	230	165	125	19	4-19	149
2.5	65	273	185	145	19	4-19	180
3	80	295	200	160	19	8-19	203
4	100	352	220	180	19	8-19	244
5	125	416	250	210	19	8-19	285
6	150	470	285	240	19	8-23	324
8	200	543	340	295	20	12-23	393
10	250	660	400	355	22	12-28	473
12	300	770	455	410	24.5	12-28	554



- Groove dimensions Conform to AWWA C606
- Working Pressure 300PSI



MATERIALS

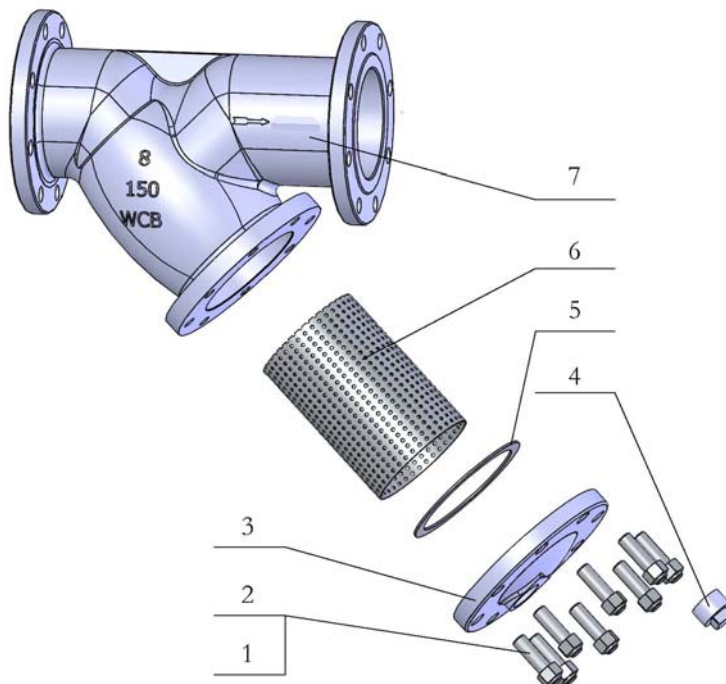
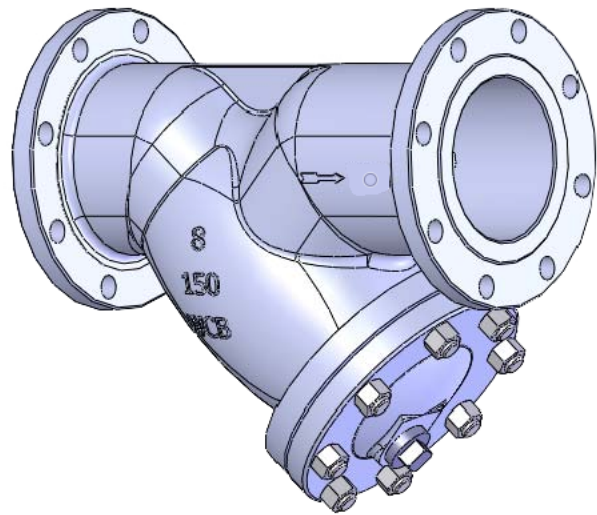
PART NAME	MATERIAL
BODY	ASTM A536 65-45-12
COVER	ASTM A536 65-45-12
SCREEN	SS304

DIMENSIONS(mm)

NPS	DN	L	OD	A	B	H
2	50	225	60.3	15.88	7.93	152
2.5	65	285	73.0/76.1	15.88	7.93	215
3	80	318	88.9	15.88	7.93	219
4	100	375	114.3	15.88	9.53	254
5	125	448	139.7/141.3	15.88	9.53	322
6	150	502	165.1/168.3	15.88	9.53	365
8	200	640	219.1	19.05	11.1	462
10	250	710	273.0	19.05	12.7	540
12	300	780	323.9	19.05	12.7	610

Applicable Standards :

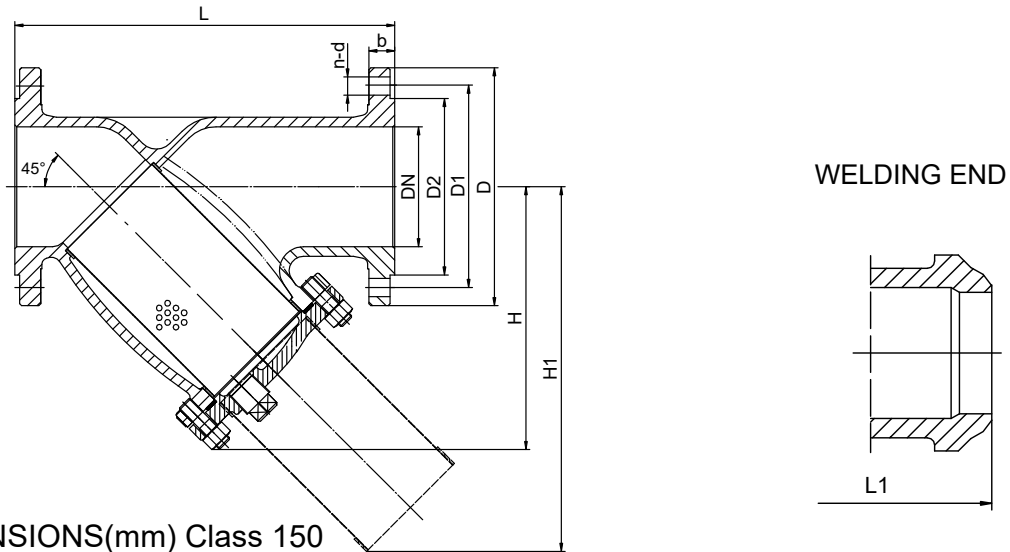
- Basic Design: ASME B16.34
- Face to Face Dimensions: Manufactory Standard
- End Flange Dimensions: ASME B16.5
- Butt Welding End: ASME B16.25
- Inspection and Test : ASME B16.34
- Materials: ASTM



- 1、 NUT
- 2、 STUD
- 3、 COVER
- 4、 PLUG
- 5、 GASKET
- 6、 SCREEN
- 7、 BODY

Materials of Main Parts

PART NAME	MATERIAL			
	CARBON STEEL	STAINLESS STEEL		HIGH-TEMPERATURE STEEL
BODY	ASTMA216 WCB	ASTM A351 CF8	ASTM A351 CF8M	ASTM A217 WC6
SCREEN	304	304	316	304
GASKET	304+GRAPHITE	304+GRAPHITE	316+GRAPHITE	304+GRAPHITE
COVER	ASTMA216 WCB	ASTM A351 CF8	ASTM A351 CF8M	ASTM A217 WC6
STUD	ASTM A193 B7	ASTM A193 B8	ASTM A193 B8	ASTM A193 B16
NUT	ASTM A194 2H	ASTM A194 8	ASTM A194 8	ASTM A194 4
PLUG	A105	304	316	304


DIMENSIONS(mm) Class 150

NPS	DN	L (RF)	L1 (BW)	D	D1	D2	b	n-d	H	H1
1.5	40	181	260.4	125	98.4	73	14.3	4-15	125	149
2	50	200	219	152	120.7	92	15.9	4-19	145	186
2.5	65	247.6	269.9	178	139.7	105	17.5	4-19	170	233
3	80	255.6	304.8	190	152.4	127	19.1	4-19	183	249
4	100	308	368.3	229	190.5	157	23.9	8-19	221	314
5	125	397	416	254	215.9	186	23.9	8-22	294	422
6	150	470	508	279	241.3	216	25.4	8-22	345	491
8	200	543	593.7	343	298.5	270	28.5	8-22	397	556
10	250	660.5	695.3	406	362	324	30.2	12-25	477	700
12	300	758.8	812.8	483	431.8	381	31.8	12-25	555	807
14	350	844.5	889	533	476.3	413	35	12-29	660	985

DIMENSIONS(mm) Class300

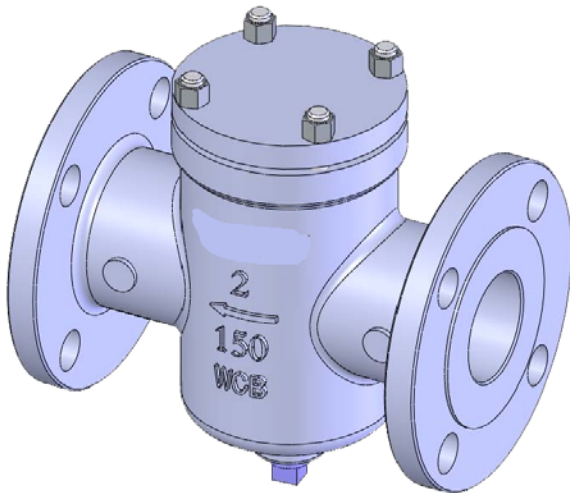
NPS	DN	L (RF)	L1 (BW)	D	D1	D2	b	n-d	H	H1
1.5	40	181	260.4	155	114.3	73	20.7	4-22	120	153
2	50	219	219	165	127	92	22.2	8-19	129	164
2.5	65	269.9	269.9	190	149.2	105	25.4	8-22	178	243
3	80	304.8	304.8	210	168.3	127	28.6	8-22	183	250
4	100	368.3	368.3	254	200	157	31.8	8-22	225	314
5	125	415.9	415.9	279	235	186	34.9	8-22	294	417
6	150	490.5	490.5	318	269.9	216	36.5	12-22	344	496
8	200	593.7	593.7	381	330.2	270	41.3	12-25	407	571
10	250	695.3	695.3	445	387.3	324	47.6	16-29	495	682
12	300	812.8	812.8	521	450.8	381	50.8	16-32	570	810
14	350	889	889	584	514.3	413	54.0	20-32	660	985

Cast Steel Basket -Strainer

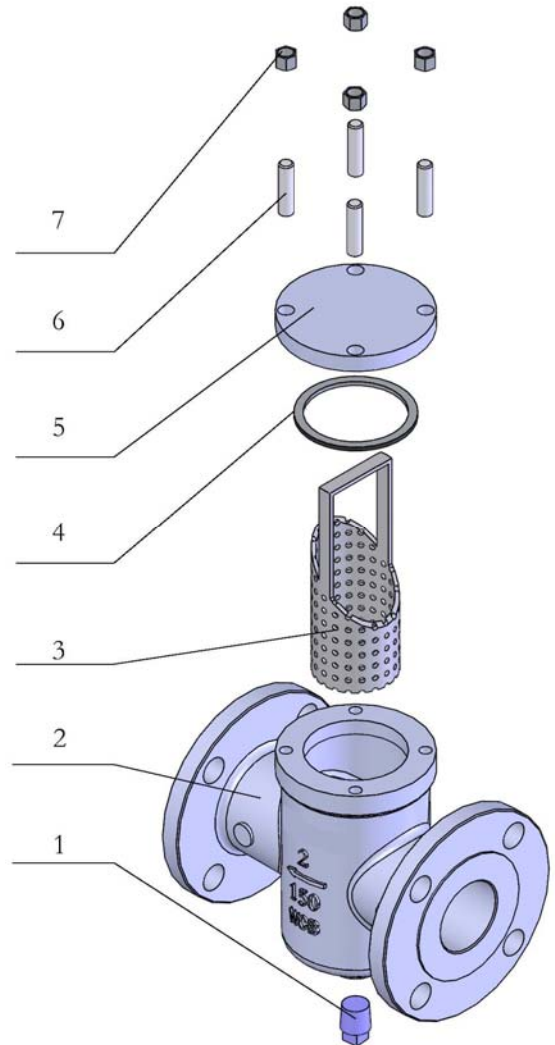
Strainers

Applicable Standards:

- Basic Design: ASME B16.34
- Face to Face Dimensions: Manufactory Standard
- End Flange Dimensions: ASME B16.5
- Butt Welding End: ASME B16.25
- Inspection and Test : ASME B16.34
- Materials: ASTM

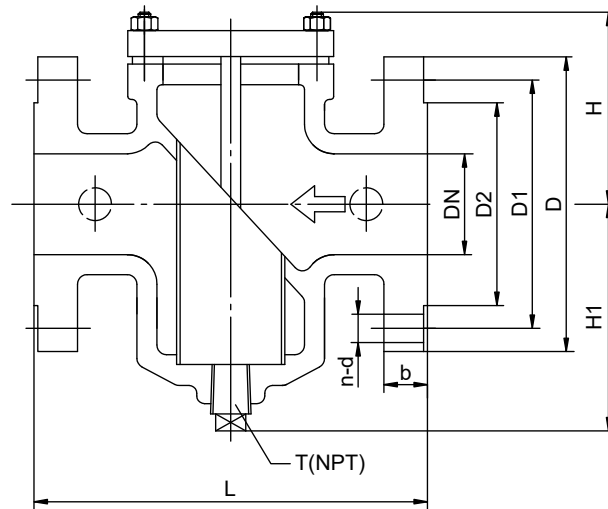


- 1, PLUG
- 2, BODY
- 3, SCREEN
- 4, GASKET
- 5, COVER
- 6, STUD
- 7, NUT



Materials of Main Parts

PART NAME	MATERIAL			
	CARBON STEEL	STAINLESS STEEL		HIGH-TEMPERATURE STEEL
BODY	ASTMA216 WCB	ASTM A351 CF8	ASTM A351 CF8M	ASTMA217 WC6
SCREEN	304	304	316	304
GASKET	304+GRAPHITE	304+GRAPHITE	316+GRAPHITE	304+GRAPHITE
COVER	ASTMA216 WCB	ASTM A351 CF8	ASTM A351 CF8M	ASTMA217 WC6
STUD	ASTM A193 B7	ASTM A193 B8	ASTM A193 B8	ASTM A193 B16
NUT	ASTM A194 2H	ASTM A194 8	ASTM A194 8	ASTM A194 4
PLUG	A105	304	316	304


DIMENSIONS(mm) Class150

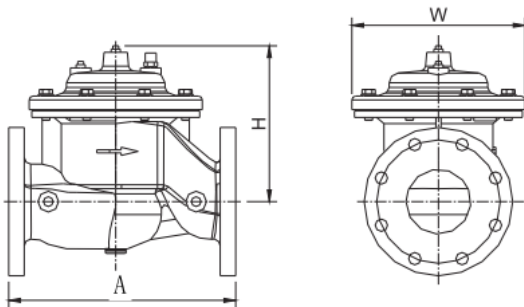
NPS	DN	L	D	D1	D2	b	n-d	H	H1	T(NPT)
2	50	215.9	152	120.7	92	15.9	4-19	108	138	1/2
2.5	65	206.4	178	139.7	105	17.5	4-19	121	140	3/4
3	80	222.3	190	152.4	127	19.1	4-19	140	149	3/4
4	100	292	229	190.5	157	23.9	8-19	152	200	1
5	125	311.2	254	215.9	186	23.9	8-22	143	260	1
6	150	352.4	279	241.3	216	25.4	8-22	170	318	1 1/4
8	200	441.3	343	298.5	270	28.5	8-22	203	384	1 1/2
10	250	549.3	406	362	324	30.2	12-25	264	406	1 1/2
12	300	635	483	431.8	381	31.8	12-25	314	603	2
14	350	1197	533	476.3	413	35	12-29	513	873	2
16	400	1197	597	539.8	470	36.6	16-29	513	873	2

DIMENSIONS(mm) Class300

NPS	DN	L	D	D1	D2	b	n-d	H	H1	T(NPT)
2	50	215.9	165	127	92	22.2	8-19	108	138	1/2
2.5	65	220.7	190	149.2	105	25.4	8-22	121	140	3/4
3	80	242.9	210	168.3	127	28.6	8-22	140	149	3/4
4	100	298.5	254	200	157	31.8	8-22	152	200	1
5	125	333.4	279	235	186	34.9	8-22	143	260	1
6	150	374.7	318	269.9	216	36.5	12-22	170	318	1 1/4
8	200	460.4	381	330.2	270	41.3	12-25	203	384	1 1/2
10	250	581	445	387.3	324	47.6	16-29	264	406	1 1/2
12	300	644.5	521	450.8	381	50.8	16-32	314	603	2
14	350	1197	584	514.3	413	54.0	20-32	513	873	2
16	400	1197	648	571.9	470	57.2	20-35	513	873	2



- Flange dimensions Conform to EN1092-2,PN16
- Constant outlet pressure over flow range
- Pilot-operated main valve not subject to pressure fall off
- Outlet pressure is adjustable with single screw
- Adjustable opening/response speed
- Stabilized regulation at near-zero flow
- Working Pressure PN16



MATERIALS

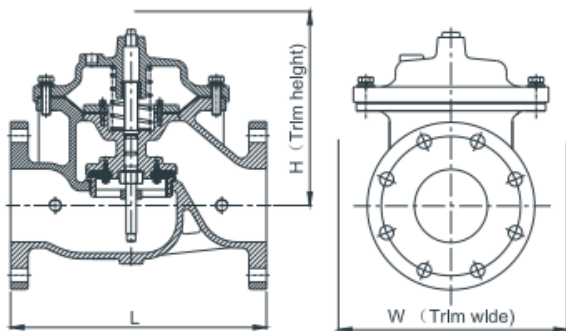
PART NAME	MATERIAL
BODY	EN1563 EN-JS1040
BONNET	EN1563 EN-JS1040
SEAT	SS304
STEM	SS431/SS304/SS316/SS420
DIAPHRAGM	Nylon Reinforced Natural EPDM
PILOT	Bronze/SS304

DIMENSIONS(mm)

NPS	DN	A	D	K	b	n-d	H	W
2	50	230	165	125	19	4-19	200	270
2.5	65	290	185	145	19	4-19	216	290
3	80	310	200	160	19	8-19	265	305
4	100	350	220	180	19	8-19	290	320
6	150	480	285	240	19	8-23	390	370
8	200	600	340	295	20	12-23	470	420
10	250	730	400	355	22	12-28	570	470
12	300	850	455	410	24.5	12-28	690	520



- Flange dimensions Conform to EN1092-2,PN16
- Inlet pressure adjustment range:0.035-1.25MPa
- Quick opening and adjustable closing speed
- Prevents pipe line pressure from rising to maximum valve
- Working Pressure PN16



MATERIALS

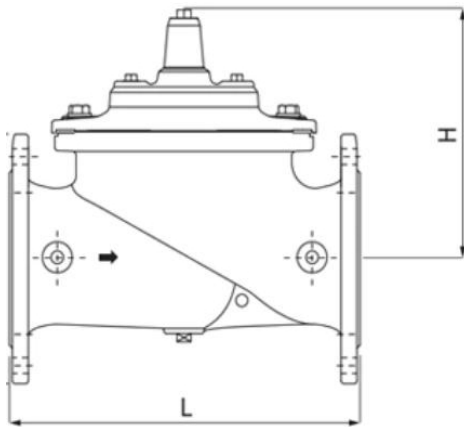
PART NAME	MATERIAL
BODY	EN1563 EN-JS1040
BONNET	EN1563 EN-JS1040
SEAT	SS304
STEM	SS431/SS304/SS316/SS420
DIAPHRAGM	Nylon Reinforced Natural EPDM
PILOT	Bronze/SS304

DIMENSIONS(mm)

NPS	DN	L	D	K	b	n-d	H	W
2	50	230	165	125	19	4-19	200	420
2.5	65	290	185	145	19	4-19	216	440
3	80	310	200	160	19	8-19	265	455
4	100	350	220	180	19	8-19	310	470
6	150	480	285	240	19	8-23	380	540
8	200	600	340	295	20	12-23	450	590
10	250	730	400	355	22	12-28	570	640
12	300	850	455	410	24.5	12-28	690	690



- Flange dimensions Conform to EN1092-2,PN16
- Working Pressure PN16



MATERIALS

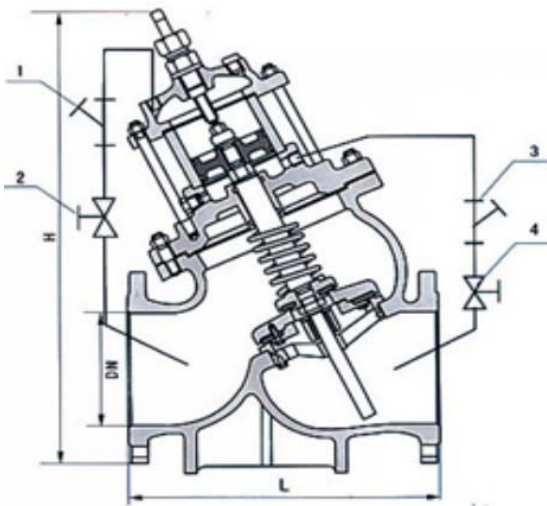
PART NAME	MATERIAL
BODY	EN1563 EN-JS1040
BONNET	EN1563 EN-JS1040
SEAT	SS304
STEM	SS431/SS304/SS316/SS420
DIAPHRAGM	Nylon Reinforced Natural EPDM

DIMENSIONS(mm)

NPS	DN	L	D	K	b	n-d	H
2	50	230	165	125	19	4-19	139
2.5	65	290	185	145	19	4-19	159
3	80	310	200	160	19	8-19	179
4	100	350	220	180	19	8-19	214
6	150	480	285	240	19	8-23	333
8	200	600	340	295	20	12-23	407
10	250	730	400	355	22	12-28	476
12	300	850	455	410	24.5	12-28	526



- Flange dimensions Conform to EN1092-2,PN16
- Working Pressure PN16



MATERIALS

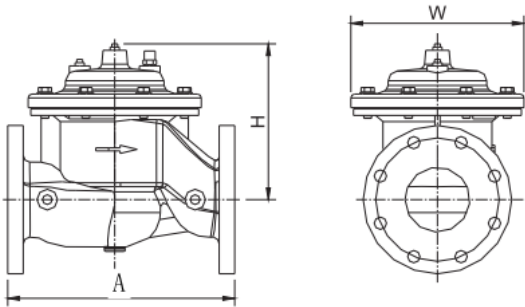
PART NAME	MATERIAL
BODY	EN1563 EN-JS1040
BONNET	EN1563 EN-JS1040
SEAT	SS304
STEM	SS431/SS304/SS316/SS420

DIMENSIONS(mm)

NPS	DN	L	D	K	b	n-d	H
2	50	205	165	125	19	4-19	293
2.5	65	216	185	145	19	4-19	328
3	80	250	200	160	19	8-19	364
4	100	320	220	180	19	8-19	418
6	150	415	285	240	19	8-23	543
8	200	500	340	295	20	12-23	673
10	250	605	400	355	22	12-28	729
12	300	698	455	410	24.5	12-28	927
16	400	914	580	525	28	16-31	1188
20	500	978	715	650	31.5	20-34	1600
24	600	1150	840	770	36	20-37	1800
28	700	1300	910	840	39.5	24-37	2000
32	800	1450	1025	950	43	24-40	2300
36	900	1650	1125	1050	46.5	28-40	2600
40	1000	1800	1255	1170	50	28-43	2700
48	1200	2000	1485	1390	57	32-49	2860
56	1400	2350	1685	1590	60	36-49	3200



- Flange dimensions Conform to EN1092-2,PN16
- Constant outlet pressure over flow range
- Pilot-operated main valve not subject to pressure fall off
- Outlet pressure is adjustable with single screw
- Adjustable opening/response speed
- Stabilized regulation at near-zero flow
- Working Pressure PN16



MATERIALS

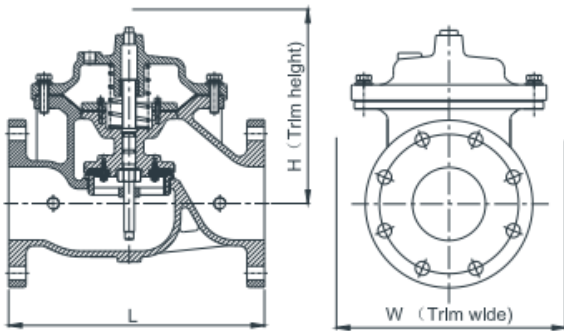
PART NAME	MATERIAL
BODY	Cast Steel
BONNET	Cast Steel
SEAT	SS304
STEM	SS431/SS304/SS316/SS420
DIAPHRAGM	Nylon Reinforced Natural EPDM
PILOT	Bronze/SS304

DIMENSIONS(mm)

NPS	DN	A	D	K	b	n-d	H	W
2	50	230	165	125	19	4-19	200	270
2.5	65	290	185	145	19	4-19	216	290
3	80	310	200	160	19	8-19	265	305
4	100	350	220	180	19	8-19	290	320
6	150	480	285	240	19	8-23	390	370
8	200	600	340	295	20	12-23	470	420
10	250	730	400	355	22	12-28	570	470
12	300	850	455	410	24.5	12-28	690	520



- Flange dimensions Conform to EN1092-2,PN16
- Inlet pressure adjustment range:0.035-1.25MPa
- Quick opening and adjustable closing speed
- Prevents pipe line pressure from rising to maximum valve
- Working Pressure PN16



MATERIALS

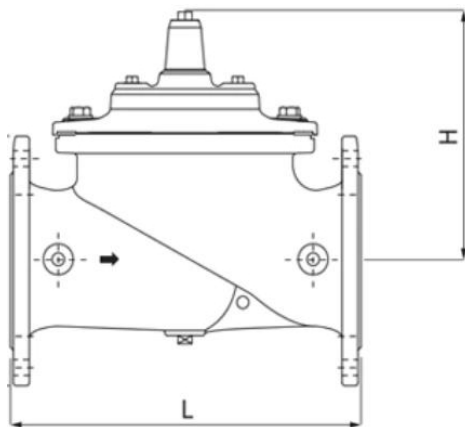
PART NAME	MATERIAL
BODY	Cast Steel
BONNET	Cast Steel
SEAT	SS304
STEM	SS431/SS304/SS316/SS420
DIAPHRAGM	Nylon Reinforced Natural EPDM
PILOT	Bronze/SS304

DIMENSIONS(mm)

NPS	DN	L	D	K	b	n-d	H	W
2	50	230	165	125	19	4-19	200	420
2.5	65	290	185	145	19	4-19	216	440
3	80	310	200	160	19	8-19	265	455
4	100	350	220	180	19	8-19	310	470
6	150	480	285	240	19	8-23	380	540
8	200	600	340	295	20	12-23	450	590
10	250	730	400	355	22	12-28	570	640
12	300	850	455	410	24.5	12-28	690	690



- Flange dimensions Conform to EN1092-2,PN16
- Working Pressure PN16



MATERIALS

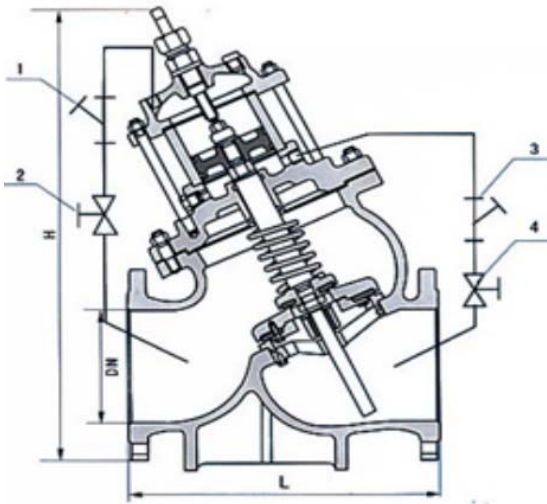
PART NAME	MATERIAL
BODY	Cast Steel
BONNET	Cast Steel
SEAT	SS304
STEM	SS431/SS304/SS316/SS420
DIAPHRAGM	Nylon Reinforced Natural EPDM

DIMENSIONS(mm)

NPS	DN	L	D	K	b	n-d	H
2	50	230	165	125	19	4-19	139
2.5	65	290	185	145	19	4-19	159
3	80	310	200	160	19	8-19	179
4	100	350	220	180	19	8-19	214
6	150	480	285	240	19	8-23	333
8	200	600	340	295	20	12-23	407
10	250	730	400	355	22	12-28	476
12	300	850	455	410	24.5	12-28	526



- Flange dimensions Conform to EN1092-2,PN16
- Working Pressure PN16



MATERIALS

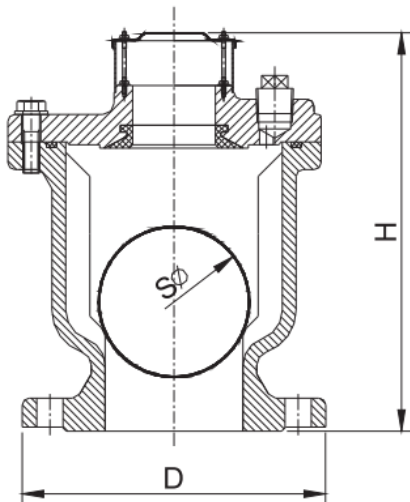
PART NAME	MATERIAL
BODY	Cast Steel
BONNET	Cast Steel
SEAT	SS304
STEM	SS431/SS304/SS316/SS420

DIMENSIONS(mm)

NPS	DN	L	D	K	b	n-d	H
2	50	205	165	125	19	4-19	293
2.5	65	216	185	145	19	4-19	328
3	80	250	200	160	19	8-19	364
4	100	320	220	180	19	8-19	418
6	150	415	285	240	19	8-23	543
8	200	500	340	295	20	12-23	673
10	250	605	400	355	22	12-28	729
12	300	698	455	410	24.5	12-28	927
16	400	914	580	525	28	16-31	1188
20	500	978	715	650	31.5	20-34	1600
24	600	1150	840	770	36	20-37	1800
28	700	1300	910	840	39.5	24-37	2000
32	800	1450	1025	950	43	24-40	2300
36	900	1650	1125	1050	46.5	28-40	2600
40	1000	1800	1255	1170	50	28-43	2700
48	1200	2000	1485	1390	57	32-49	2860
56	1400	2350	1685	1590	60	36-49	3200



- Flange dimensions Conform to ANSI B16.1 Class125/EN1092-2,PN16
- Working Pressure 300PSI/PN16



MATERIALS

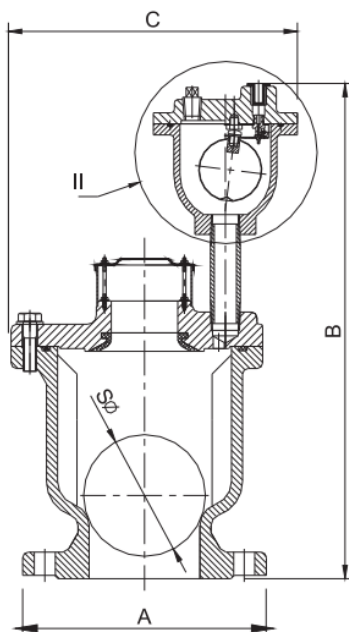
PART NAME	MATERIAL/EN	MATERIAL/ASTM
BODY	EN1563 EN-JS1040	ASTM A536 65-45-12
BALL	SS304	SS304
SEAT	EPDM	EPDM
BONNET	EN1563 EN-JS1040	ASTM A536 65-45-12

DIMENSIONS(mm)

NPS	DN	D	SΦ	H
2	50	165	65	221
2.5	65	185	94	270
3	80	200	94	270
4	100	220	110	290
6	150	285	150	345
8	200	340	150	385



- Flange dimensions Conform to ANSI B16.1 Class125/EN1092-2,PN16
- Working Pressure 300PSI/PN16



MATERIALS

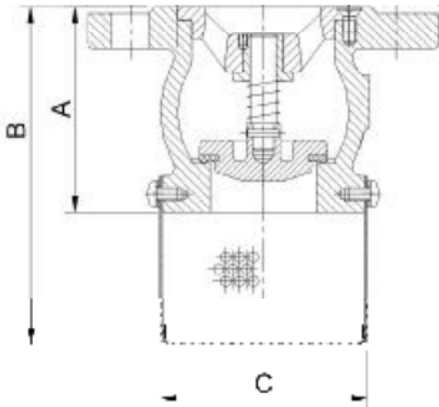
PART NAME	MATERIAL/EN	MATERIAL/ASTM
BODY	EN1563 EN-JS1040	ASTM A536 65-45-12
BALL	SS304	SS304
SEAT	EPDM	EPDM
BONNET	EN1563 EN-JS1040	ASTM A536 65-45-12

DIMENSIONS(mm)

NPS	DN	A	B	C	SΦ	II
2	50	165	370	191	65	1/2"
2.5	65	185	425	230	94	3/4"
3	80	200	425	230	94	3/4"
4	100	220	450	260	110	3/4"
6	150	285	490	320	150	3/4"
8	200	340	540	340	150	3/4"



- Flange dimensions Conform to ANSI B16.1 Class125/EN1092-2,PN16
- Working Pressure 300PSI/PN16



MATERIALS

PART NAME	MATERIAL/EN	MATERIAL/ASTM
BODY	EN1563 EN-JS1040	ASTM A536 65-45-12
SEAT	SS304	SS304
STEM	SS431/SS304/SS316/SS420	SS431/SS304/SS316/SS420
SUPPORT	EN1563 EN-JS1040	ASTM A536 65-45-12
SCREEN	SS304	SS304
DISC	EN1563 EN-JS1040+EPDM	ASTM A536 65-45-12+EPDM
SPRING	SS304	SS304

DIMENSIONS(mm)

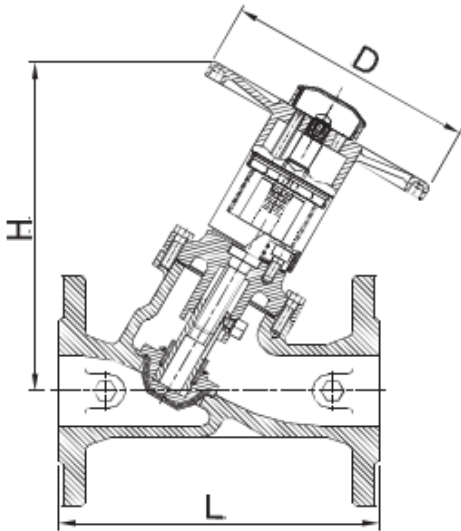
NPS	DN	A	B	C
2	50	100	160	94
2.5	65	120	205	120
3	80	140	240	142
4	100	170	300	177
6	150	230	410	237
8	200	288	490	290
10	250	354	575	330
12	300	410	655	360

Balancing Valves

Balancing Valves



- Flange dimensions Conform to ANSI B16.1 Class125/EN1092-2,PN16
- Working Pressure 300PSI/PN16

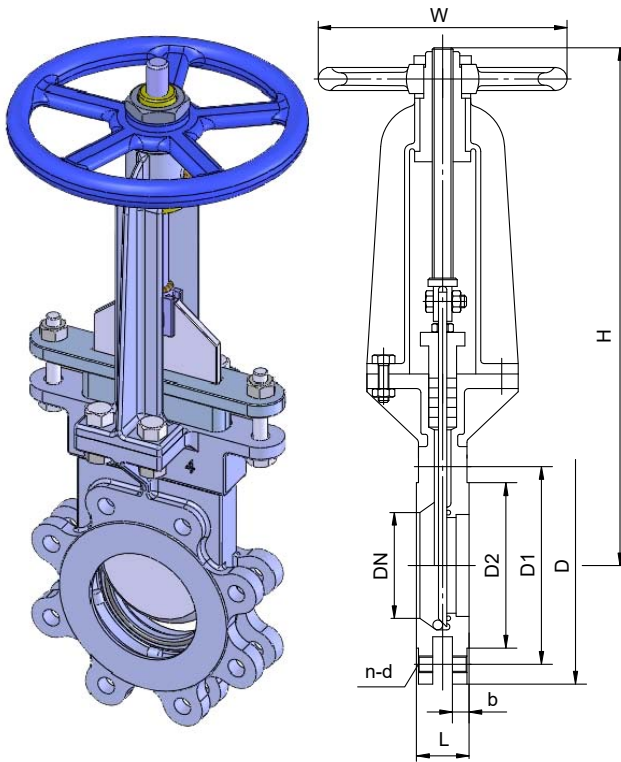


MATERIALS

PART NAME	MATERIAL/EN	MATERIAL/ASTM
BODY	EN1563 EN-JS1040	ASTM A536 65-45-12
STEM	SS431/SS304/SS316/SS420	SS431/SS304/SS316/SS420
BONNET	EN1563 EN-JS1040	ASTM A536 65-45-12
SPRING	SS304	SS304
DISC	EN1563 EN-JS1040+EPDM	ASTM A536 65-45-12+EPDM
HANDWHEEL	EN1563 EN-JS1040	ASTM A536 65-45-12

DIMENSIONS(mm)

NPS	DN	L	H	D
2	50	230	248	205
2.5	65	290	279	205
3	80	310	294	205
4	100	350	313	205
6	150	480	399	300
8	200	600	463	300
10	250	730	554	450
12	300	850	566	450



- Flange dimensions Conform to ANSI B16.1 Class125
- Working Pressure 300PSI

MATERIALS

PART NAME	MATERIAL
BODY	EN1563 EN-JS1040
GATE	SS431/SS304/SS316/SS420
STEM	SS431/SS304/SS316/SS420
STEM NUT	Brass
YOKE	EN1563 EN-JS1040
HANDWHEEL	EN1563 EN-JS1040

DIMENSIONS(mm)

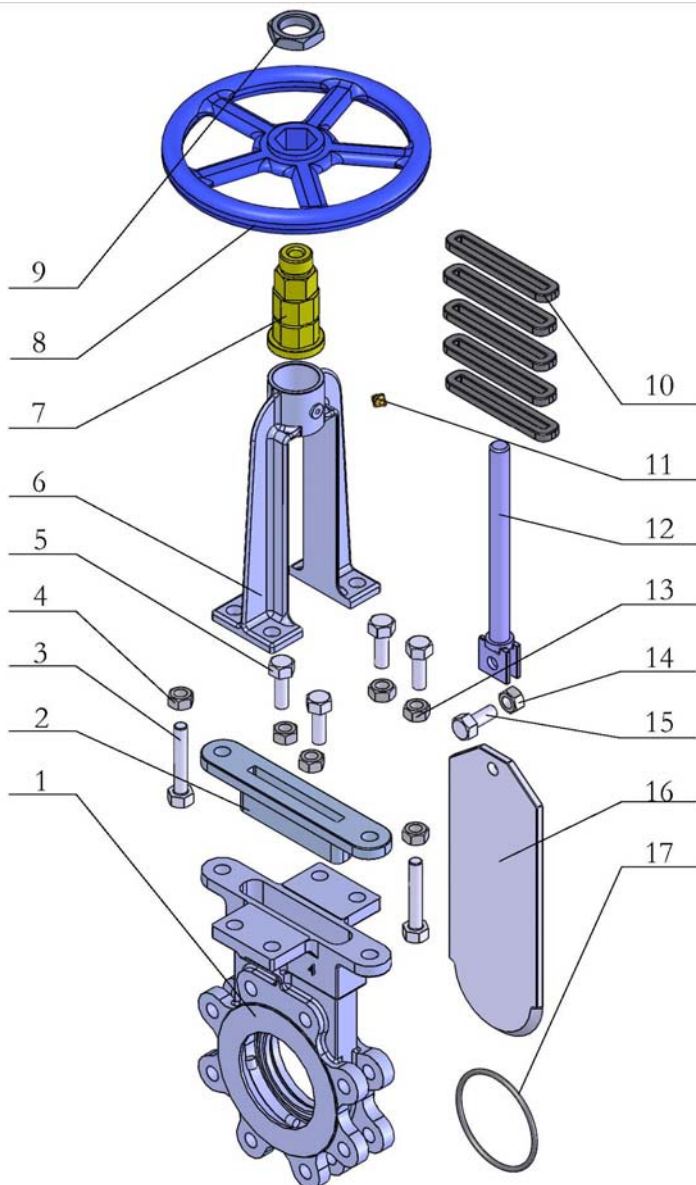
NPS	DN	L (RF)	D	D1	D2	b	n-d	H	W
2	50	48	152	120.7	92	15.9	4-5/8"-11UNC	347	200
3	80	51	190	152.4	127	19.1	4-5/8"-11UNC	380	250
4	100	51	229	190.5	157	23.9	8-5/8"-11UNC	436	250
5	125	57	254	215.9	186	23.9	8-3/4"-10UNC	527	300
6	150	57	279	241.3	216	25.4	8-3/4"-10UNC	589	300
8	200	70	343	298.5	270	28.5	8-3/4"-10UNC	729	360
10	250	70	406	362	324	30.2	12-7/8"-9UNC	980	400
12	300	76	483	431.8	381	31.8	12-7/8"-9UNC	1021	450
14	350	76	533	476.3	413	35	12-1"-8UNC	1145	500
16	400	89	597	539.8	470	36.6	16-1"-8UNC	1291	600
18	450	89	635	577.9	533	39.6	16-1 1/8"-8UN	1426	650
20	500	114	699	635.0	584	42.9	20-1 1/8"-8UN	1574	700
24	600	114	813	749.3	692	47.8	20-1 1/4"-8UN	1851	800

Cast Steel Knife Gate Valve

Knife Gate Valves

Applicable Standards:

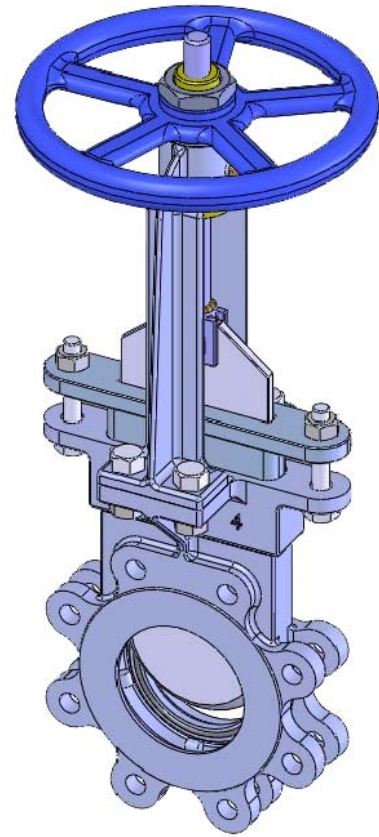
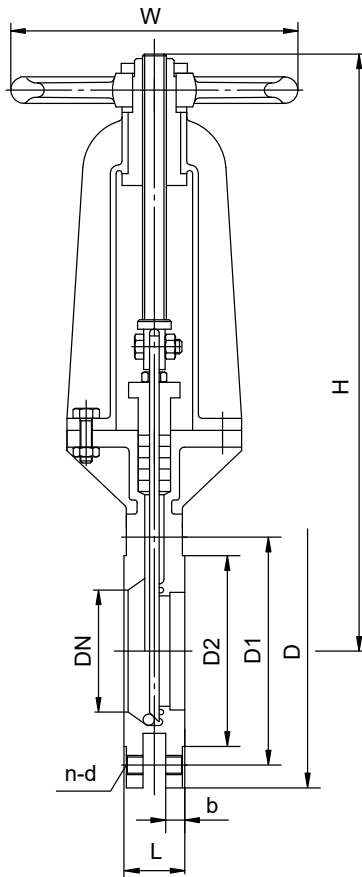
- Basic Design: MSS SP-81
- Face to Face Dimensions: MSS SP-81、ASME B16.10
- End Flange Dimensions: ASME B16.5
- Inspection and Test : MSS SP-81、API 598
- Materials: ASTM



- 1、 BODY
- 2、 GLAND
- 3、 BODY BOLT
- 4、 BODY NUT
- 5、 YOKE BOLT
- 6、 YOKE
- 7、 STEM NUT
- 8、 HANDWHEEL
- 9、 HANDWHEEL NUT
- 10、 PACKING
- 11、 OIL BASIN
- 12、 STEM
- 13、 YOKE NUT
- 14、 WEDGE NUT
- 15、 WEDGE BOLT
- 16、 WEDGE
- 17、 SEAT

Materials of Main Parts

PARTS NAME	MATERIAL				
	CARBON STEEL	STAINLESS STEEL			
BODY	ASTM A216 WCB	ASTM A351 CF8	ASTM A351 CF8M	ASTM A351 CF3	ASTM A351 CF3M
SEAT	NBR、CR、EPDM、FPM				
WEDGE	ASTM A240 304	ASTM A240 304	ASTM A240 316	ASTM A240 304L	ASTM A240 316L
PACKING	PTFE				
YOKE BOLT	ASTM A193 B7	ASTM A193 B8	ASTM A193 B8	ASTM A193 B8	ASTM A193 B8
YOKE NUT	ASTM A194 2H	ASTM A194 8	ASTM A194 8	ASTM A194 8	ASTM A194 8
GLAND	ASTM A216 WCB	ASTM A351 CF8	ASTM A351 CF8M	ASTM A351 CF3	ASTM A351 CF3M
YOKE	ASTM A216 WCB	ASTM A351 CF8	ASTM A351 CF8	ASTM A351 CF8	ASTM A351 CF8
GLAND BOLT	ASTM A193 B7	ASTM A193 B8	ASTM A193 B8	ASTM A193 B8	ASTM A193 B8
GLAND NUT	ASTM A194 2H	ASTM A194 8	ASTM A194 8	ASTM A194 8	ASTM A194 8
WEDGE BOLT	ASTM A193 B7	ASTM A193 B8	ASTM A193 B8	ASTM A193 B8	ASTM A193 B8
WEDGE NUT	ASTM A194 2H	ASTM A194 8	ASTM A194 8	ASTM A194 8	ASTM A194 8
WEDGE HOLDER	ASTM A276 410	ASTM A276 304	ASTM A276 316	ASTM A276 304L	ASTM A276 316L
STEM	ASTM A276 410	ASTM A276 304	ASTM A276 316	ASTM A276 304L	ASTM A276 316L
STEM NUT	ASTM B62	ASTM B62	ASTM B62	ASTM B62	ASTM B62
GASKET	ASTM B16	ASTM B16	ASTM B16	ASTM B16	ASTM B16
HANDWHEEL	ASTM A536	ASTM A536	ASTM A536	ASTM A536	ASTM A536
HANDWHEEL NUT	CARBON STEEL	CARBON STEEL	CARBON STEEL	CARBON STEEL	CARBON STEEL



DIMENSIONS(mm)

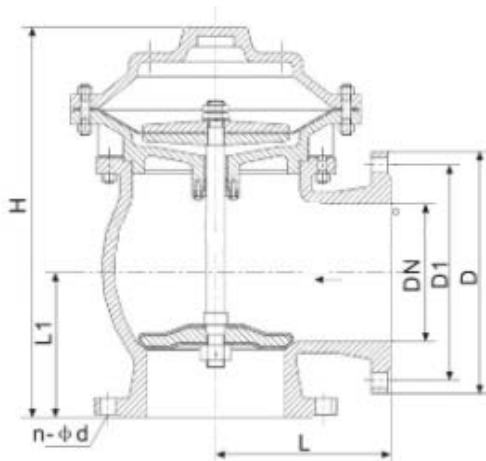
NPS	DN	L (RF)	D	D1	D2	b	n-d	H	W
2	50	48	152	120.7	92	15.9	4-5/8"-11UNC	347	200
3	80	51	190	152.4	127	19.1	4-5/8"-11UNC	380	250
4	100	51	229	190.5	157	23.9	8-5/8"-11UNC	436	250
5	125	57	254	215.9	186	23.9	8-3/4"-10UNC	527	300
6	150	57	279	241.3	216	25.4	8-3/4"-10UNC	589	300
8	200	70	343	298.5	270	28.5	8-3/4"-10UNC	729	360
10	250	70	406	362	324	30.2	12-7/8"-9UNC	980	400
12	300	76	483	431.8	381	31.8	12-7/8"-9UNC	1021	450
14	350	76	533	476.3	413	35	12-1"-8UNC	1145	500
16	400	89	597	539.8	470	36.6	16-1"-8UNC	1291	600
18	450	89	635	577.9	533	39.6	16-1 1/8"-8UN	1426	650
20	500	114	699	635.0	584	42.9	20-1 1/8"-8UN	1574	700
24	600	114	813	749.3	692	47.8	20-1 1/4"-8UN	1851	800

Sludge Drainage Valve

Sludge Drainage Valves



- Flange dimensions Conform to EN1092-2,PN6
- Working Pressure PN6



MATERIALS

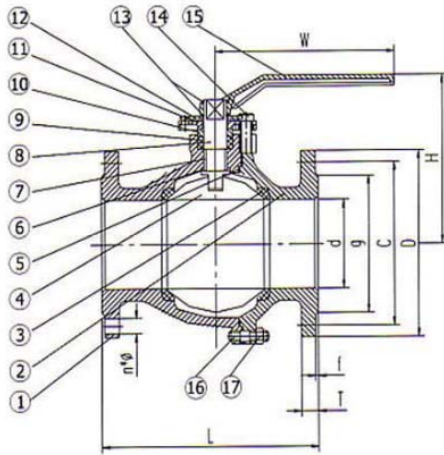
PART NAME	MATERIAL
BODY	EN1563 EN-JS1040
BONNET	EN1563 EN-JS1040
DISC	EN1563 EN-JS1040+EPDM
STEM	SS431/SS304/SS316/SS420
DIAPHRAGM	Nylon Reinforced Natural EPDM

DIMENSIONS(mm)

NPS	DN	L	H	D	D1	b	n-d
2	50	115	243	140	110	16	4-14
2.5	65	125	258	160	130	16	4-14
3	80	135	280	190	150	18	4-19
4	100	146	307	210	170	18	4-19
6	150	180	400	265	225	20	8-19
8	200	215	490	320	280	22	8-19
10	250	255	576	375	335	24	12-19
12	300	285	663	440	395	24	12-23



- Basic Design: API608
- Face to Face Dimensions: ASME B16.10
- End Flange Dimensions: ASME B16.5
- Butt Welding End: ASME B16.25
- Inspection and Test : API 598



MATERIALS

PART NAME	MATERIAL
BODY	CF8/CF8M/CF3/CF3M
CAP	CF8/CF8M/CF3/CF3M
SEAT	PTFE
STEM	SS431/SS304/SS316/SS420
BALL	CF8/CF8M/CF3/CF3M
STEM PACKING	PTFE
HANDLE	ASTM A536 65-45-12

DIMENSIONS(mm)

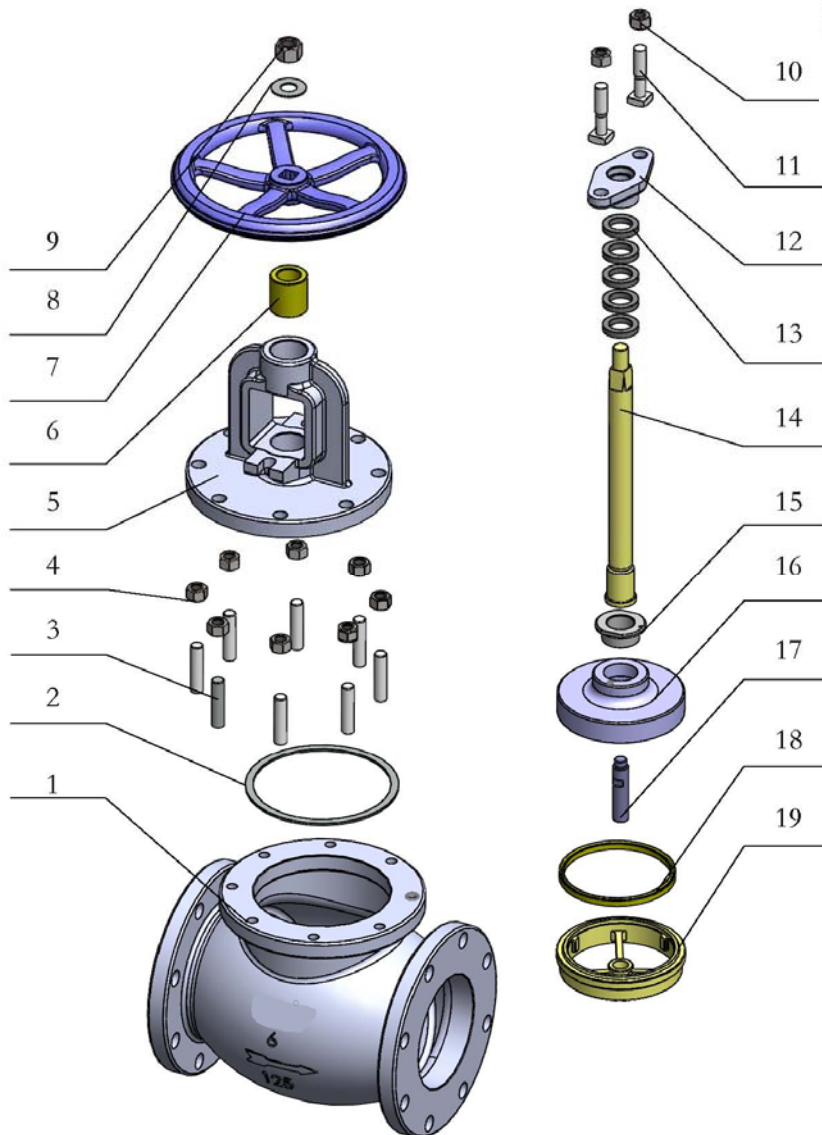
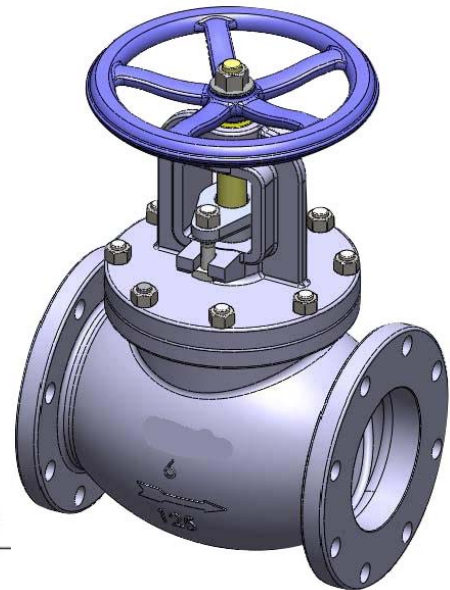
NPS	DN	L	W	H	D	C	g	T	n-d
2	50	178	200	106	152	120.7	92	15.9	4-19
2.5	65	190	320	141	178	139.7	105	17.5	4-19
3	80	203	320	150	190	152.4	127	19.1	4-19
4	100	229	450	183	229	190.5	157	23.9	8-19
5	150	356	800	230	254	215.9	186	23.9	8-22
6	150	394	800	250	279	241.3	216	25.4	8-22
8	200	457	1100	342	343	298.5	270	28.5	8-22
10	250	533	1100	345	406	362	324	30.2	12-25
12	300	610	1400	479	483	431.8	381	31.8	12-25

Cast Iron Globe Valve

Globe Valves

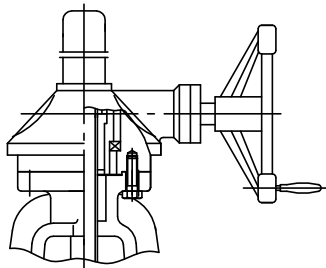
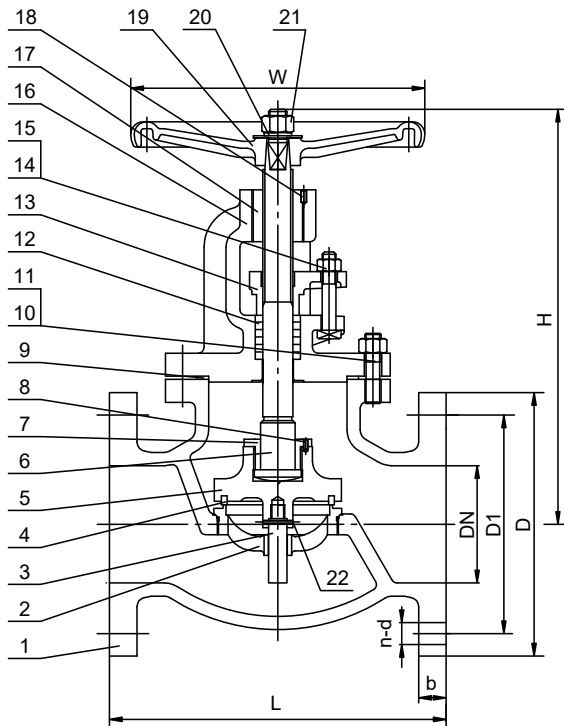
Applicable Standards:

- Basic Design: MSS SP-85 、 EN13789、 JIS B2041
- Face to Face Dimensions: ASME B16.10、 EN558、 JIS B2002
- End Flange Dimensions: ASME B16.1、 EN1092-2、 JIS B2239
- Inspection and Test: MSS SP-85、 EN12266、 JIS B2003
- Materials: ASTM、 EN



- 1、 BODY
- 2、 BONNET GASKET
- 3、 BONNET STUD
- 4、 BONNET NUT
- 5、 BONNET
- 6、 STEM NUT
- 7、 HANDWHEEL
- 8、 WASHER
- 9、 NUT
- 10、 NUT
- 11、 T BOLT
- 12、 PACKING GLAND
- 13、 PACKING
- 14、 STEM
- 15、 DISC COVER
- 16、 DISC
- 17、 GUIDE SPINDLE
- 18、 DISC SEAL RING
- 19、 SEAT RING

- Design and Manufacture Conform to MSS SP-85
- Flange dimensions Conform to ASME B16.1
- Face to Face dimensions Conform to ASME B16.10
- Testing Conform to MSS SP-85



- It can be operated with bevel gear according to customer's requirement.

MATERIALS

No.	PART NAME	MATERIAL
1	BODY	ASTM A126 B
2	SEAT RING	ASTM B62 or 13Cr
3	GUIDE SPINDLE	ASTM A276 420
4	DISC SEAL RING	ASTM B62 or 13Cr
5	DISC	ASTM A126 B
6	STEM	ASTM B16 or 13Cr
7	DISC COVER	CARBON STEEL
8	CHECK SCREW	ASTM A307 B
9	BONNET GASKET	GRAPHITE+STEEL
10	STUD	ASTM A307 B
11	NUT	ASTM A563
12	PACKING	GRAPHITE
13	PACKING GLAND	ASTM A536 65-45-12
14	SQUARE HEAD BOLT	ASTM A307 B
15	NUT	ASTM A563
16	BONNET	ASTM A126 B
17	STEM NUT	Mn-BRASS
18	SCREW	ASTM A307 B
19	HANDWHEEL	ASTM A126 B
20	WASHER	CARBON STEEL
21	NUT	ASTM A563
22	CYLINDRICAL PIN	ASTM A276 304

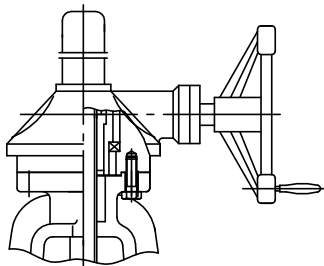
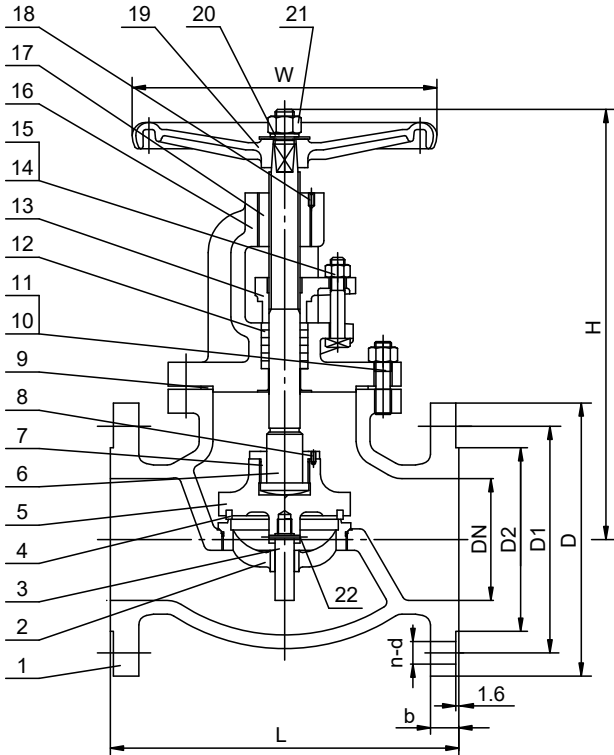
DIMENSIONS(mm)

NPS	DN	L	D	D1	b	n-d	H	W
2	50	203.2	152	120.7	15.8	4-19	297	180
2.5	65	215.9	178	139.7	17.5	4-19	304	180
3	80	241.3	191	152.4	19	4-19	328	200
4	100	292.1	229	190.5	23.9	8-19	352	250
5	125	330.2	254	215.9	23.9	8-22	390	300
6	150	355.6	279	241.3	25.4	8-22	432	300
8	200	495.3	343	298.5	28.5	8-22	477	360
10	250	622.3	406	362	30.2	12-25	548	450
12	300	698.5	483	431.8	31.8	12-25	655	500

Ductile Iron Globe Valve Class150

Globe Valves

- Construction design refer to MSS SP-85
- Flange dimensions Conform to ASME B16.42
- Face to Face dimensions Conform to ASME B16.10
- Testing Conform to API598



- It can be operated with bevel gear according to customer's requirement.

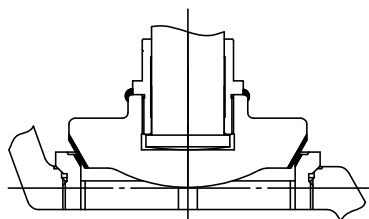
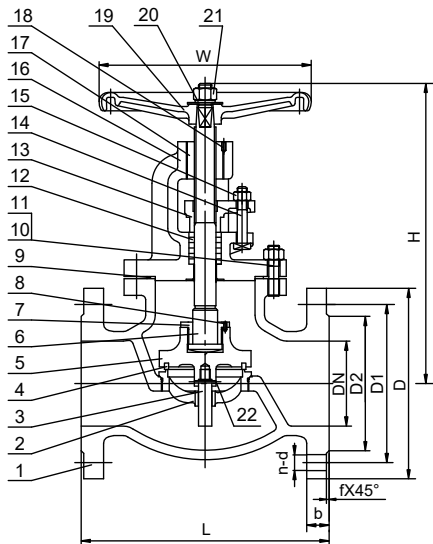
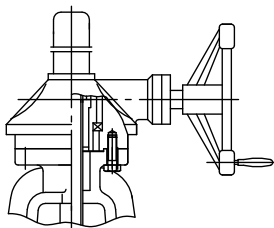
MATERIALS

No.	PART NAME	MATERIAL
1	BODY	ASTM A395 65-45-15
2	SEAT RING	ASTM B62 or 13Cr
3	GUIDE SPINDLE	ASTM A276 420
4	DISC SEAL RING	ASTM B62 or 13Cr
5	DISC	ASTM A395 65-45-15
6	STEM	ASTM B16 or 13Cr
7	DISC COVER	CARBON STEEL
8	CHECK SCREW	ASTM A307 B
9	BONNET GASKET	GRAPHITE+STEEL
10	STUD	ASTM A307 B
11	NUT	ASTM A563
12	PACKING	GRAPHITE
13	PACKING GLAND	ASTM A395 65-45-15
14	SQUARE HEAD BOLT	ASTM A307 B
15	NUT	ASTM A563
16	BONNET	ASTM A395 65-45-15
17	STEM NUT	Mn-BRASS
18	SCREW	ASTM A307 B
19	HANDWHEEL	ASTM A536 65-45-15
20	WASHER	CARBON STEEL
21	NUT	ASTM A563
22	CYLINDRICAL PIN	ASTM A276 304

DIMENSIONS(mm)

NPS	DN	L	D	D1	D2	b	n-d	H	W
2	50	203.2	152	120.7	92	15.8	4-19	297	180
2.5	65	215.9	178	139.7	105	17.5	4-19	304	180
3	80	241.3	190	152.4	127	19	4-19	328	200
4	100	292.1	229	190.5	157	23.9	8-19	352	250
5	125	330.2	254	215.9	186	23.9	8-22	390	300
6	150	355.6	279	241.3	216	25.4	8-22	432	300
8	200	495.3	343	298.5	270	28.5	8-22	477	360
10	250	622.3	406	362	324	30.2	12-25	548	450
12	300	698.5	483	431.8	381	31.8	12-25	655	500

- Design and Manufacture Conform to BS EN13789
- Flange dimensions Conform to EN1092-2 PN16
- Face to Face dimensions Conform to EN558 SERIES 10
- Testing Conform to EN12266


Conical sealing

MATERIALS

No.	PART NAME	MATERIAL(C.I.)	MATERIAL(D.I.)
1	BODY	EN1561 EN-GJL-200	EN1563 EN-GJS-450-10
2	SEAT RING	EN1982 CC491K or 13Cr	EN1982 CC491K or 13Cr
3	GUIDE SPINDLE	13Cr	13Cr
4	DISC SEAL RING	EN1982 CC491K or 13Cr	EN1982 CC491K or 13Cr
5	DISC	EN1561 EN-GJL-200	EN1563 EN-GJS-450-10
6	STEM	EN12164 CW603N or 13Cr	EN12164 CW603N or 13Cr
7	DISC COVER	CARBON STEEL	CARBON STEEL
8	CHECK SCREW	ISO 630-E235B 4.8	ISO 630-E235B 4.8
9	BONNET GASKET	GRAPHITE+STEEL	GRAPHITE+STEEL
10	STUD	ISO 630-E235B 4.8	ISO 630-E235B 4.8
11	NUT	ISO 630-E235B 5.0	ISO 630-E235B 5.0
12	PACKING	GRAPHITE	GRAPHITE
13	PACKING GLAND	EN1563 EN-GJS-450-10	EN1563 EN-GJS-450-10
14	SQUARE HEAD BOLT	ISO 630-E235B 4.8	ISO 630-E235B 4.8
15	NUT	ISO 630-E235B 5.0	ISO 630-E235B 5.0
16	BONNET	EN1561 EN-GJL-200	EN1563 EN-GJS-450-10
17	STEM NUT	Mn-BRASS	Mn-BRASS
18	SCREW	ISO 630-E235B 4.8	ISO 630-E235B 4.8
19	HANDWHEEL	EN1561 EN-GJL-200	EN1563 EN-GJS-450-10
20	WASHER	CARBON STEEL	CARBON STEEL
21	NUT	ISO 630-E235B 5.0	ISO 630-E235B 5.0
22	CYLINDRICAL PIN	304	304

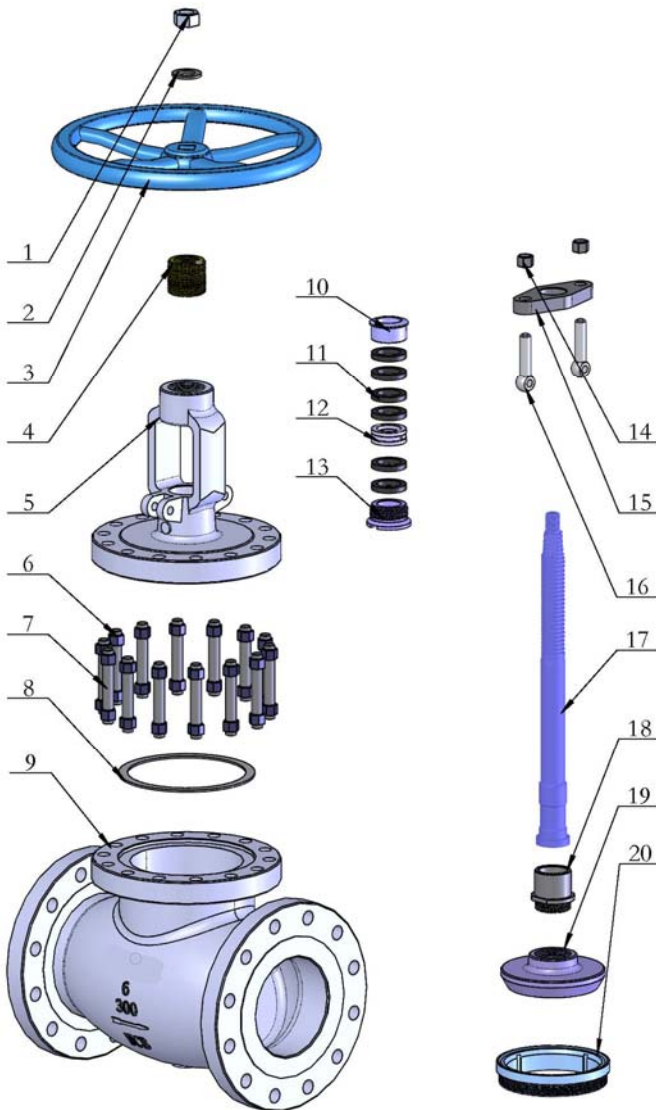
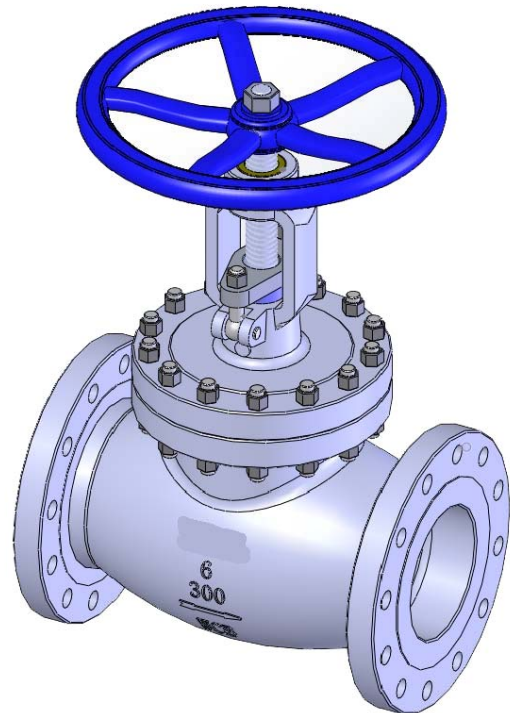
- It can be operated with bevel gear according to customer's requirement.

DIMENSIONS(mm)

NPS	DN	L	D	D1	D2	b	f	n-d	H	W
2	50	203	165	125	99	20	2	4-19	297	180
2.5	65	216	185	145	118	20	2	4-19	304	180
3	80	241	200	160	132	22	2	8-19	328	200
4	100	292	220	180	156	24	2	8-19	352	250
5	125	330	250	210	184	26	2	8-19	390	300
6	150	356	285	240	211	26	2	8-23	432	300
8	200	495	340	295	266	30	2	12-23	477	360
10	250	622	405	355	319	32	2	12-28	548	450
12	300	698	460	410	370	32	2	12-28	655	500

Applicable Standards:

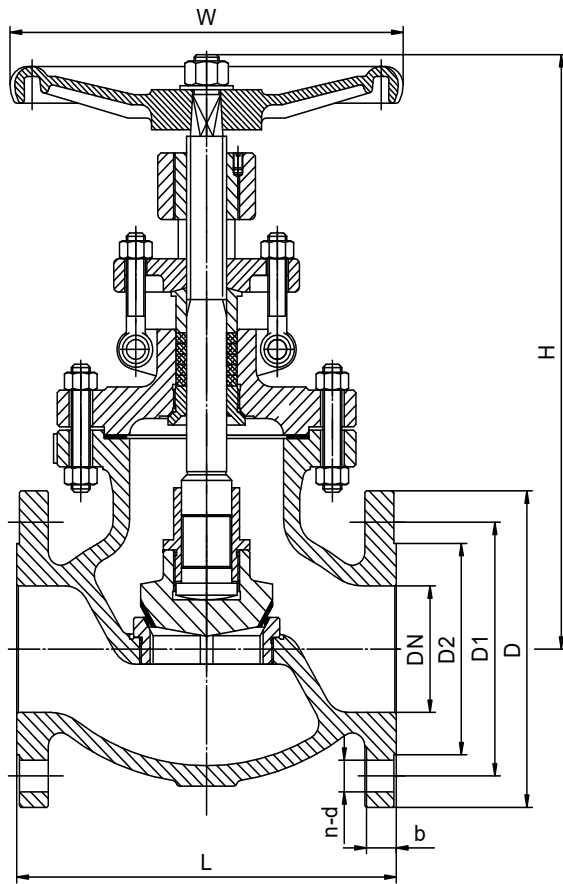
- Basic Design: API623、ASME B16.34、BS1873
- Face to Face Dimensions: ASME B16.10
- End Flange Dimensions: ASME B16.5
- Butt Welding End: ASME B16.25
- Inspection and Test : API 598
- Materials: ASTM



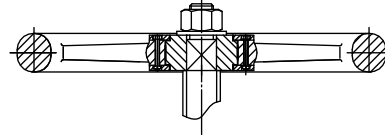
- 1、HANDWHEEL NUT
- 2、GASKET
- 3、HANDWHEEL
- 4、STEM NUT
- 5、BONNET
- 6、BONNET NUT
- 7、BONNET STUD
- 8、BONNET GASKET
- 9、BODY
- 10、GLAND
- 11、PACKING
- 12、LANTERN RING
- 13、BACK SEAT
- 14、NUT
- 15、GLAND FOLLOWER
- 16、EYE BOLT
- 17、STEM
- 18、BEARING COVER
- 19、DISC
- 20、SEAT

Materials of Main Parts

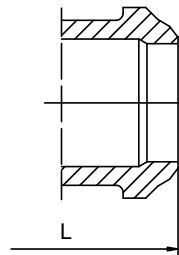
PARTS	MATERIAL				
	CARBON STEEL	LOW-TEM. STEEL	HIGH-TEM. STEEL	STAINLESS STEEL	SULFUR RESISTANCE
BODY	ASTM A216 WCB	ASTM A352 LCB	ASTM A217 WC6	ASTM A351 CF8M	ASTM A216 WCB
SEAT	ASTM A105	ASTM A182 F304	ASTM A182 F11	ASTM A182 F316	ASTM A105
DISC	ASTM A216 WCB	ASTM A352 LCB	ASTM A217 WC6	ASTM A351 CF8M	ASTM A216 WCB
SEALING SURFACE	PER 8-Trim	PER 8-Trim	PER 8-Trim	PER 8-Trim	PER 8-Trim-NC
STEM	ASTM A182 F6a	ASTM A182 F304	ASTM A182 F6a	ASTM A182 F316	ASTM A182 F6a-NC
BONNET GASKET	304 +GRAPHITE	304 +GRAPHITE	304+ GRAPHITE	316+ GRAPHITE	304+ GRAPHITE
BONNET	ASTM A216 WCB	ASTM A352 LCB	ASTM A217 WC6	ASTM A351 CF8M	ASTM A216 WCB
BONNET STUD	ASTM A193 B7	ASTM A320 L7	ASTM A193 B16	ASTM A193 B8	ASTM A193 B7M
BONNET NUT	ASTM A194 2H	ASTM A194 4	ASTM A194 4	ASTM A194 8	ASTM A194 2HM
BACK SEAT	ASTM A276 420	ASTM A276 304	ASTM A276 420	ASTM A276 316	ASTM A276 420-NC
UPPER AND LOWER PACKING	GRAPHITE +304	GRAPHITE +304	GRAPHITE +304	GRAPHITE +316	GRAPHITE +304
MIDDLE PACKING	GRAPHITE	GRAPHITE	GRAPHITE	GRAPHITE	GRAPHITE
LANTERN RING	ASTM A276 420	ASTM A276 304	ASTM A276 420	ASTM A276 316	ASTM A276 420-NC
PACKING BUSHING	ASTM A276 420	ASTM A276 304	ASTM A276 420	ASTM A276 316	ASTM A276 420-NC
GLAND FOLLOWER	ASTM A216 WCB	ASTM A352 LCB	ASTM A216 WCB	ASTM A351 CF8	ASTM A216 WCB
EYE BOLT	ASTM A193 B7	ASTM A320 L7	ASTM A193 B7	ASTM A193 B8	ASTM A193 B7M
NUT	ASTM A194 2H	ASTM A194 4	ASTM A194 2H	ASTM A194 8	ASTM A194 2HM
PIN	AISI 1035	AISI 1035	AISI 1035	AISI 1035	AISI 1035
STEM NUT	ASTM A439 D2	ASTM A439 D2	ASTM A439 D2	ASTM A439 D2	ASTM A439 D2
BEARING COVER	CARBON STEEL	CARBON STEEL	CARBON STEEL	STAINLESS STEEL	CARBON STEEL
HANDWHEEL	ASTM A536	ASTM A536	ASTM A536	ASTM A536	ASTM A536
HANDWHEEL NUT	CARBON STEEL	CARBON STEEL	CARBON STEEL	CARBON STEEL	CARBON STEEL



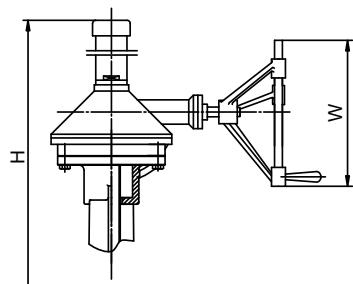
IMPACT HANDWHEEL



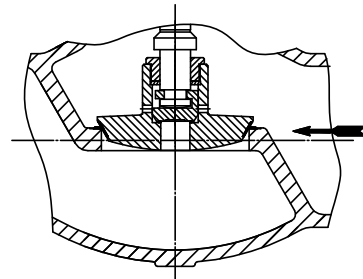
WELDING END



BEVEL GEAR

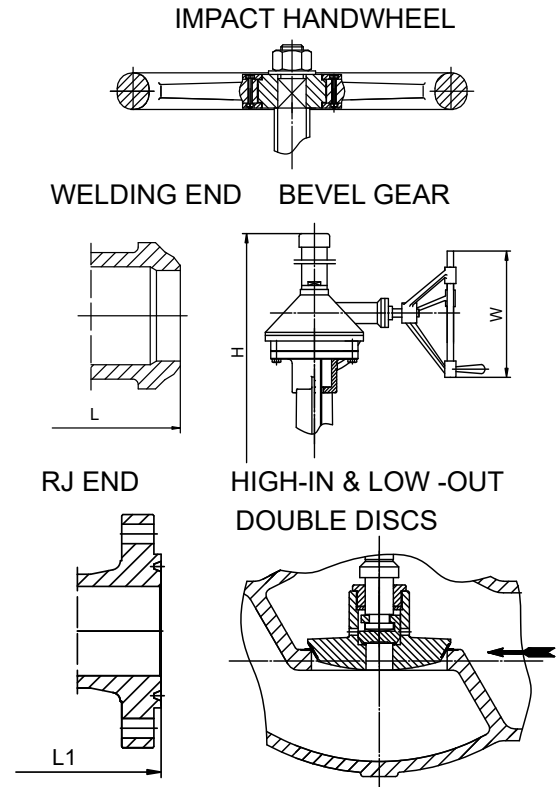
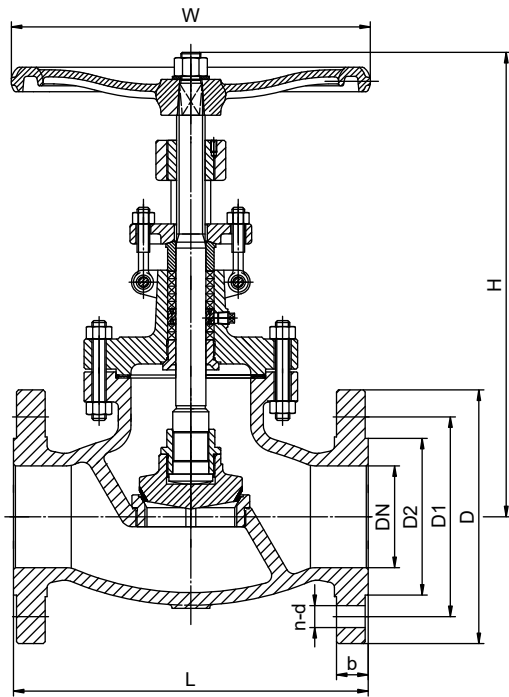


HIGH-IN & LOW -OUT DOUBLE DISCS



DIMENSIONS(mm)

NPS	DN	L (RF- BW)	D	D1	D2	b	n-d	H	W
1.5	40	165	127	98.4	73	14.3	4-16	281	160
2	50	203	152	120.7	92	15.9	4-19	294	180
2.5	65	216	178	139.7	105	17.5	4-19	339	200
3	80	241	190	152.4	127	19.1	4-19	363	250
4	100	292	229	190.5	157	23.9	8-19	411	300
5	125	356	254	215.9	186	23.9	8-22	462	360
6	150	406	279	241.3	216	25.4	8-22	481	360
8	200	495	343	298.5	270	28.5	8-22	543	450
10	250	622	406	362	324	30.2	12-25	640	500
12	300	698	483	431.8	381	31.8	12-25	830	500
14	350	787	533	476.3	413	35	12-29	920	600
16	400	914	597	539.8	470	36.6	16-29	968	650

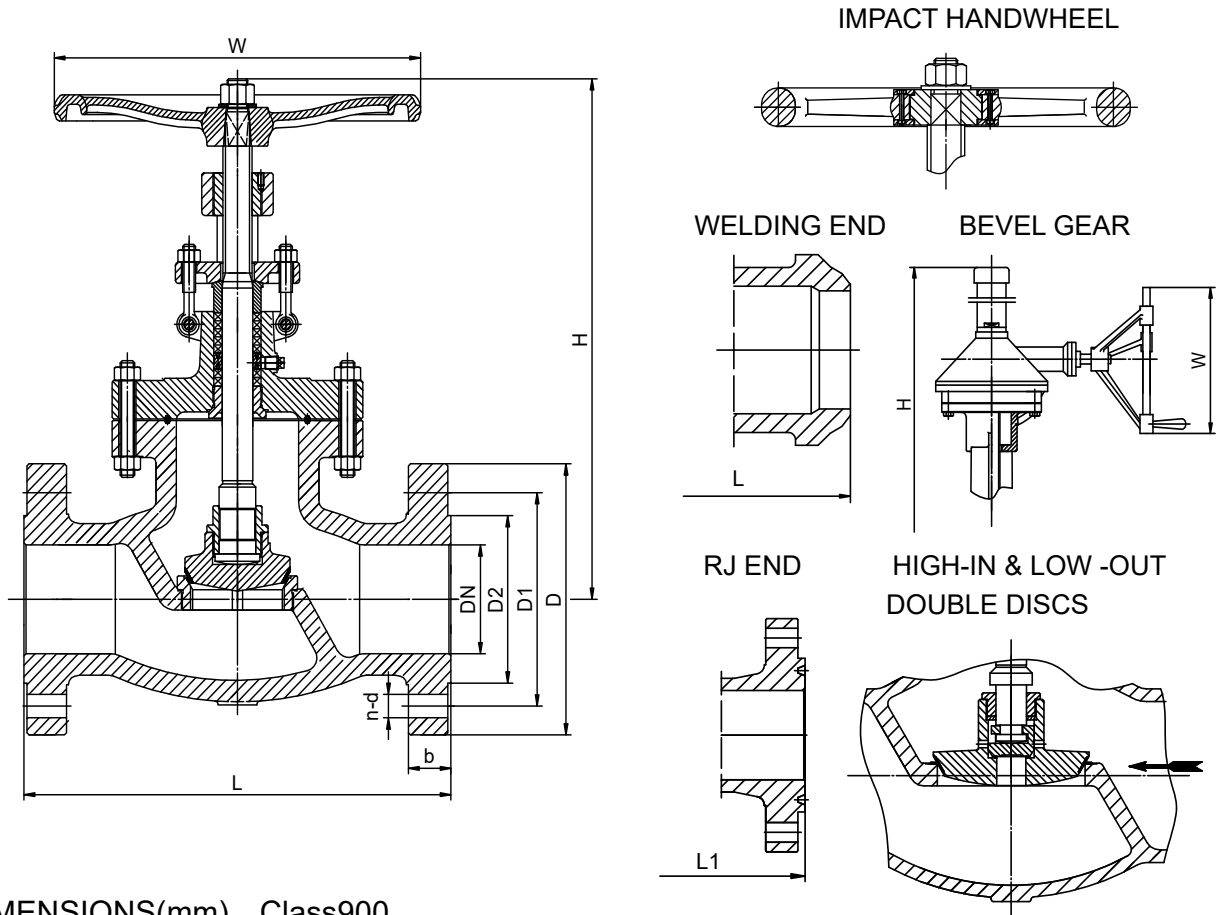


DIMENSIONS(mm) Class300

NPS	DN	L (RF-BW)	D	D1	D2	b	n-d	H	W
2	50	267	165	127	92	22.2	8-19	330	180
2.5	65	292	190	149.2	105	25.4	8-22	351	200
3	80	318	210	168.3	127	28.6	8-22	395	250
4	100	356	254	200	157	31.8	8-22	465	360
5	125	400	279	235	186	34.9	8-22	501	400
6	150	444	318	269.9	216	36.5	12-22	547	400
8	200	559	381	330.2	270	41.3	12-25	652	450
10	250	622	445	387.3	324	47.6	16-29	685	500
12	300	711	521	450.8	381	50.8	16-32	886	600

DIMENSIONS(mm) Class600

NPS	DN	L (RF-BW)	L1(RJ)	D	D1	D2	b	n-d	H	W
2	50	292	295	165	127	92	31.8	8-19	373	250
2.5	65	330	333	190	149.4	105	35.0	8-22	430	360
3	80	356	359	210	168.2	127	38.2	8-22	456	360
4	100	432	435	273	215.9	157	44.5	8-25	525	450
5	125	508	511	330	266.7	186	50.9	8-29	698	500
6	150	559	562	356	292.1	216	54.1	12-29	763	500
8	200	660	663	419	349.3	270	62	12-32	846	600
10	250	787	790	508	431.8	324	69.9	16-35	935	700
12	300	838	841	559	489	381	73.1	20-35	1285	600



DIMENSIONS(mm) Class900

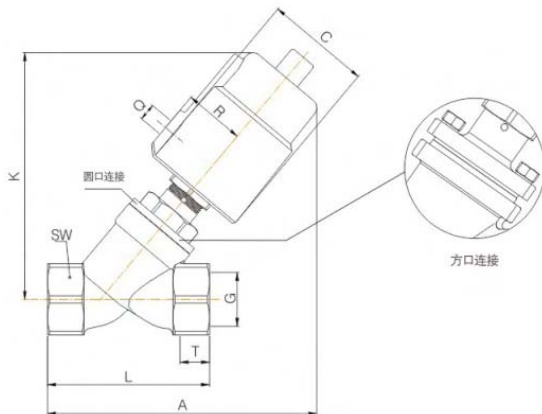
NPS	DN	L (RF- BW)	L1 (RJ)	D	D1	D2	b	n-d	H	W
2	50	368	371	215	165.1	92	44.5	8-25	535	350
2.5	65	419	422	245	190.5	105	47.7	8-29	630	400
3	80	381	384	240	190.5	127	44.5	8-25	675	450
4	100	457	460	290	235.0	157	50.9	8-32	780	500
6	150	610	613	380	317.5	216	62.0	12-32	936	600
8	200	737	740	470	393.7	270	69.9	12-38	1051	700

DIMENSIONS(mm) Class1500

NPS	DN	L (RF- BW)	L1 (RJ)	D	D1	D2	b	n-d	H	W
2	50	368	371	215	165.1	92	44.5	8-25	535	350
2.5	65	419	422	245	190.5	105	47.7	8-29	630	400
3	80	470	473	265	203.2	127	54.1	8-32	712	450
4	100	546	549	310	241.3	157	60.4	8-35	810	560
6	150	705	711	395	317.5	216	89.0	12-38	1208	600
8	200	832	842	485	393.7	270	98.5	12-44	1655	600

Stainless Steel Y-type angle seat valve

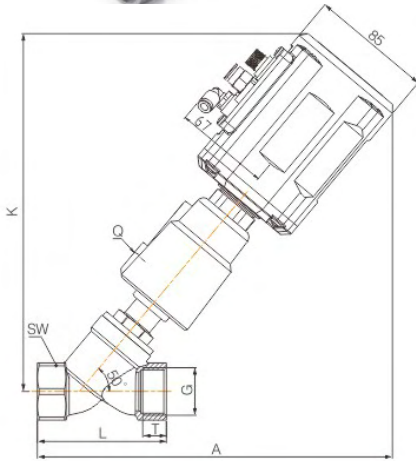
Angle Seat Valves



- Fluid Pressure: Max 16bar (232psi)
- Control Pressure: 3-8bar (43.5-116psi)
- Control Fluid: clean compressed air or neutral gas
- Body Material: CF8M/CF8
- Seals Material: PTFE
- Actuator Material: CF8 (40mm-90mm cylinder), AL (90mm-125mm cylinder)
- Actuator Size: 40mm, 50mm, 63mm, 90mm, 125mm
- Applicable Fluid: water, alcohol, oil, fuel, steam, neutral gas or liquid Organic solvent, acid-base solution
- Fluid Viscosity: Max 600mm²/s
- Fluid Temperature:
 - 10° C - +180° C (PTFE normal temperature type)
 - +25° C - +220° C (PTFE high temperature type)
- Ambient Temperature: -10° C - +80° C
- Control Type: single acting normally closed, normally open, double acting normally closed, double acting free state
- Connection: threaded, welded, flanged, quick-fit
- Leakage rating: DIN EN 12266 Class A

DIMENSIONS(mm)

DN	Actuator	Q	C	R	K	G	T	A	L	SW
DN8	40	1/8"	50.5	27	112	1/4"	12	124	68	27
	50	1/8"	60	33	125	1/4"	12	135	68	27
DN10	40	1/8"	50.5	27	112	3/8"	12	124	68	27
	50	1/8"	60	33	125	3/8"	12	135	68	27
DN15	40	1/8"	50.5	27	112	1/2"	15	124	68	27
	50	1/8"	60	33	125	1/2"	15	135	68	27
DN20	50	1/8"	60	33	132	3/4"	16	140	75	32
DN25	50	1/8"	60	33	136	1"	17	150	90	40
	63	1/8"	75	41	162	1"	17	172	90	40
DN32	63	1/8"	75	41	174	1-1/4"	21	190	116	50
	90	1/8"	106	55	223	1-1/4"	21	235	116	50
DN40	63	1/8"	75	41	175	1-1/2"	21	190	116	56
	90	1/8"	106	55	223	1-1/2"	21	235	116	56
DN50	63	1/8"	75	41	183	2"	22	205	138	69
	90	1/8"	106	55	232	2"	22	250	138	69
	125AL	1/4"	170	85	300	2"	22	305	138	69
DN65	90	1/8"	106	55	280	2-1/2"	26	275	178	85
	125AL	1/4"	170	85	330	2-1/2"	26	320	178	85
DN80	125AL	1/4"	170	85	355	3"	27	340	210	100



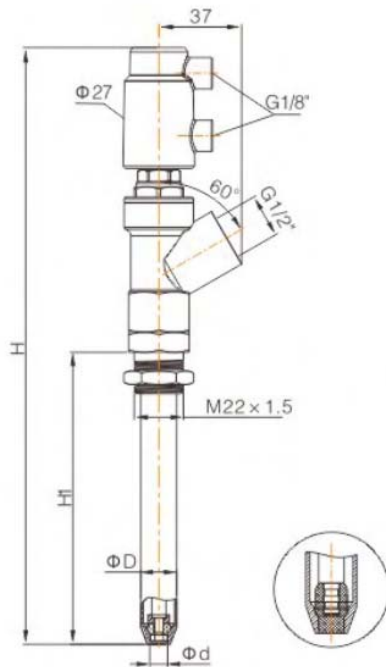
- Connection Type: threaded, welded, quick-fit, flanged
- Medium Temperature:
 - 10° C - +180° C (PTFE normal temperature type)
 - +25° C - +220° C (PTFE high temperature type)
- Ambient Temperature: 0- +60° C
- Working Pressure: see the angle seat valve single-acting normally closed valve seat downstream installation selection table
- Control Pressure: 4-7bar (58-102psi)
- Control Power: 24VDC ± 10%
- Valve Setting Signal: 0/4-20mA or 0-5/10V
- Power Consumption: <5W
- Input Signal Impedance: 240 Ω for 0/4-20mA signal, 21K Ω when 0-5/10V signal
- Analog Output Signal:
 - Maximum load 560 Ω at 0/4-20mA,
 - Maximum current 10mA at 0-5/10V
- Protection Level: IP65
- Leakage Rating: DIN EN 12266 Class A

DIMENSIONS(mm)

DN	Actuator	Q	K	A	L	G	SW	T
DN4	50	1/8"	240	235	68	1/2" 3/8"	27	12
DN6	50	1/8"	240	235	68	1/2" 3/8"	27	12
DN8	50	1/8"	240	235	68	1/4"	27	12
	63	1/8"	253	247	68	1/4"	27	12
DN10	50	1/8"	240	235	68	3/8"	27	12
	63	1/8"	253	247	68	3/8"	27	12
DN15	50	1/8"	240	235	68	1/2"	27	15
	63	1/8"	253	247	68	1/2"	27	15
DN20	50	1/8"	247	240	75	3/4"	32	16
	63	1/8"	260	251	75	3/4"	32	16
DN25	50	1/8"	251	250	90	1"	40	17
	63	1/8"	273	267	90	1"	40	17
DN32	63	1/8"	285	285	116	1-1/4"	50	21
	90	1/8"	335	315	116	1-1/4"	50	21
DN40	90	1/8"	335	315	116	1-1/2"	56	21
DN50	90	1/8"	344	330	138	2"	69	22
	125AL	1/4"	402	373	138	2"	69	22
DN65	125AL	1/4"	432	388	178	2-1/2"	85	26
DN80	125AL	1/4"	457	408	210	3"	100	27



- Control Type: double acting free state, double acting normally closed
- Working Pressure: 0-7bar (0-102psi)
- Control Pressure: 3-4.5bar (44-65psi)
- Body Material: CF8M
- Seal Material: PTFE
- Medium Temperature: -10° C - +120° C
- Ambient Temperature: -10° C - +80° C

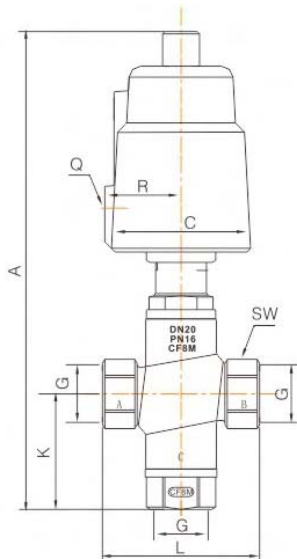


DIMENSIONS(mm)

DN	ΦD	Φd	H	H1
1AC	20	10	267	130
1AC	18	9	267	130
1AF	20	10	267	130
1AF	16	8	267	130



- Pipeline Pressure: Max16bar (232psi)
- Control Pressure: 3-8bar (43.5-116psi)
- Control Medium: clean compressed air or neutral gas
- Body Material: CF8M
- Actuator Material: CF8
- Seal Material: PTFE
- Medium Temperature: -10° C - +180° C (PTFE normal temperature type)
- Ambient Temperature: -10° C - +80° C
- Control Type: single acting normally closed, double acting normally closed, double acting free state
- Connection Type: threaded, quick-loading
- Applicable Medium: water, steam, oil, neutral gas or liquid, organic solvent, acid-base solution, etc.
- Leakage rating: DIN EN 12266 Class A

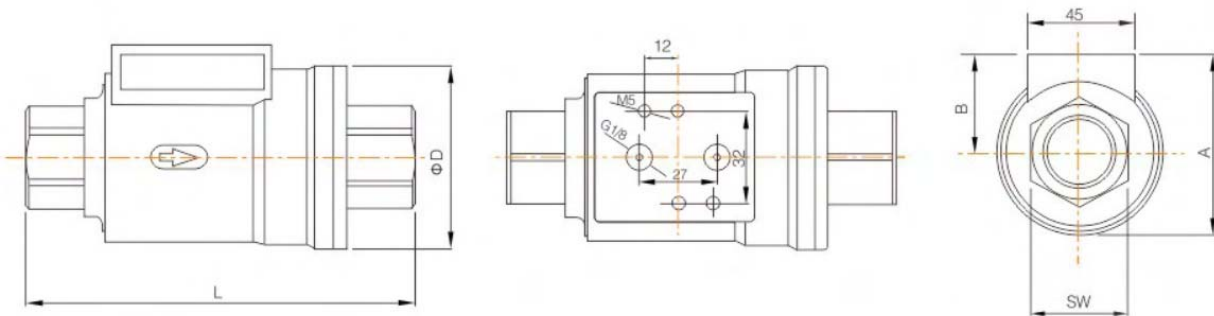


DIMENSIONS(mm)

DN	Actuator	Q	C	R	G	A	K	L	SW
DN15	40	1/8"	50.5	27	1/2"	195	50	68	27
DN20	50	1/8"	60	33	3/4"	230	60	75	32
DN25	50	1/8"	60	33	1"	242	68	90	40
DN32	90	1/8"	106	55	1-1/4"	355	86	116	50
DN40	90	1/8"	106	55	1-1/2"	360	90	116	56
DN50	90	1/8"	106	55	2"	382	102	138	69



- Fluid Pressure: Max 16bar (232psi)
- Control Pressure: 3-8bar (43.5-116psi)
- Control Medium: clean compressed air or neutral gas
- Body Material: CF8M/CF8
- Seal Material: EPDM EPDM/fluoro rubber FPM
- Applicable Media:
- FPM is suitable for most media except steam.
- EPDM is suitable for hot water and steam, not for oils fuels, etc.
- Medium Temperature: -20° C - +150° C (FPM),
-20° C - +130° C (EPDM)
- Ambient Temperature: -20° C - +80° C
- Control Type: single acting normally closed, normally open, double acting normally closed, double acting free state
- Connection Type: threaded (BSP, NPT, BSPT)
- Leakage Rating: DIN EN 12266 Class A

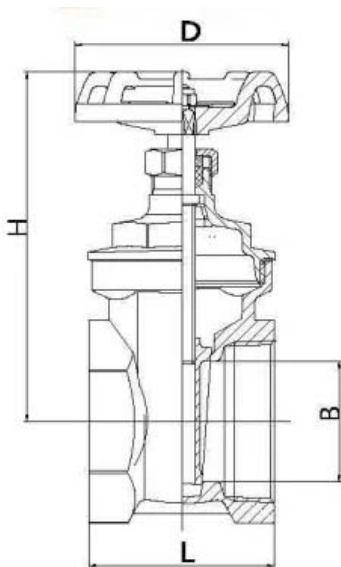


DIMENSIONS(mm)

NPS	DN	A	ΦD	SW	B	L
3/8"	DN10	56	46	22	33	98
1/2"	DN15	61	52	26.5	35	112
3/4"	DN20	72	64	32	40	135
1"	DN25	78	69	41	43	143
1-1/4"	DN32	94	86	50	51	165
1-1/2"	DN40	104	96	56	56	180
2"	DN50	116	108	70	62	207



- Brass/Bronze forged body, Brass/Bronze disc, Brass/Bronze Bonnet, with Steel/casting iron/aluminum handle
- 200wog, 250wog, PN20 design, Thread End

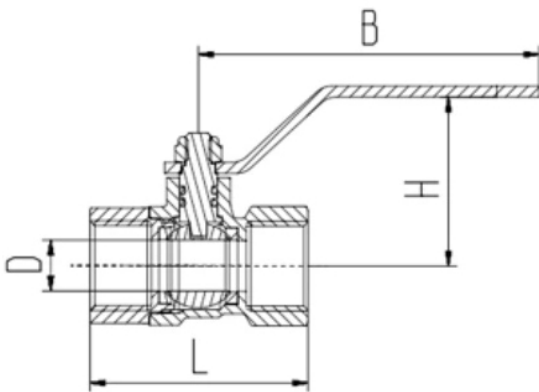


DIMENSIONS(mm)

NPS	DN	L	B	H	D
1/2"	DN15	43	14	70	53
3/4"	DN20	47	18	78	53
1"	DN25	52.5	20	83	58
1-1/4"	DN32	57	27.5	100	71
1-1/2"	DN40	62	34	110	71
2"	DN50	68	45	132	78



- Brass/Bronze forged body, Brass/Bronze chrome plated Ball, with Steel/casting iron/aluminum handle
- 600wog, Up to PN32 design, Thread End

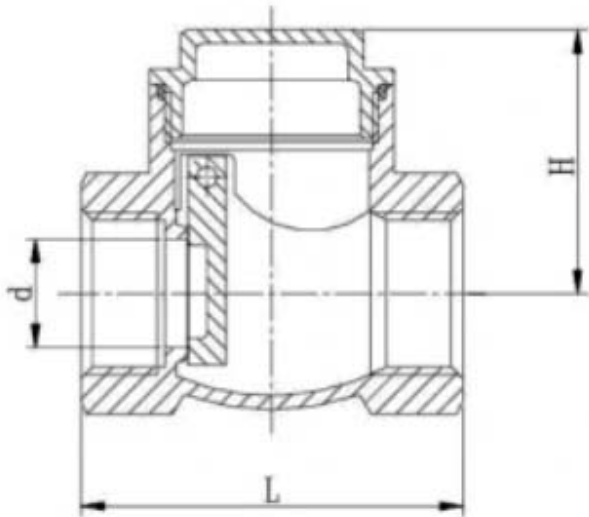


DIMENSIONS(mm)

NPS	DN	L	B	H	D
1/2"	DN15	51.5	81	42.5	12
3/4"	DN20	58	81	44.6	15
1"	DN25	67.5	110	48.8	20
1-1/4"	DN32	76	110	53.5	25
1-1/2"	DN40	87	125	63	32
2"	DN50	104.5	125	69.5	40



- Brass/Bronze forged body, Brass/Bronze Disc, Brass/Bronze Cover
- 600wog, Up to PN32 design, Thread End

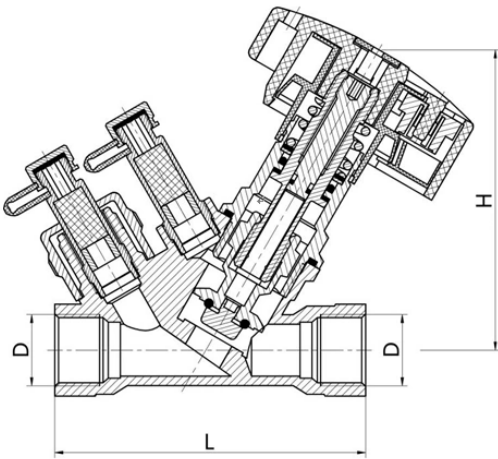


DIMENSIONS(mm)

NPS	DN	L	H	D
1/2"	DN15	46	34	13
3/4"	DN20	53	34	19
1"	DN25	59	39	23
1-1/4"	DN32	67	48	28
1-1/2"	DN40	75	54	34
2"	DN50	84	61	43
2.5"	DN65	120	81	54
3"	DN80	133	86	65
4"	DN100	162	107	87



- PN16 design, Thread End



MATERIALS

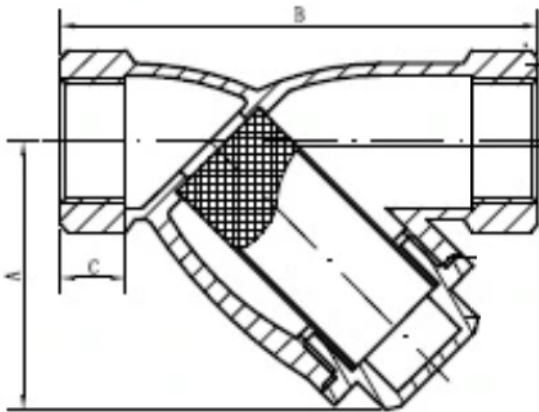
PART NAME	MATERIAL
BODY	Brass/Bronze
DISC	Brass
SEAT	PTFE
BONNET	Brass/Bronze
STEM	SS431/SS304/SS316/SS420

DIMENSIONS(mm)

NPS	DN	D	L	H
1/2"	DN15	G1/2	90	87
3/4"	DN20	G3/4	97	87
1"	DN25	G1	110	90.5
1-1/4"	DN32	G1-1/4	124	97
1-1/2"	DN40	G1-1/2	130	107
2"	DN50	G2	154	110.5



- PN16 design, Thread End



MATERIALS

PART NAME	MATERIAL
BODY	Brass/Bronze
SCREEN	SS304
COVER	Brass/Bronze

DIMENSIONS(mm)

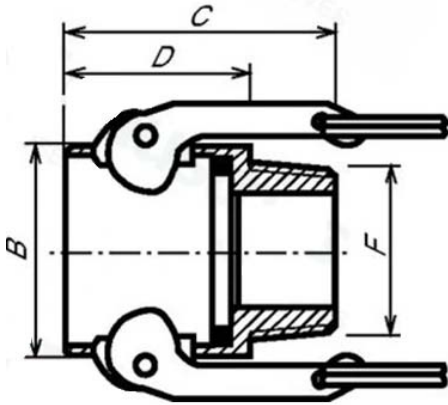
NPS	DN	A	B	C
1/2"	DN15	76	46	12.5
3/4"	DN20	91	56	13.5
1"	DN25	108	68	16
1-1/4"	DN32	124	80	17
1-1/2"	DN40	144	91	18
2"	DN50	172	111	21

Brass or Bronze Camlock Coupling

Brass or Bronze Valves



- Basic design: DIN2828, MIL-C-27487
- Thread standard: NPT, BSPT, BSP, DIN2999
- Material: AISI 304, 316, 316L, Brass, Aluminum, Polypropylene, Nylon also available



DIMENSIONS(mm)

NPS	DN	A	B	C	D
1/2"	DN15	44.7	32.7	48	30.4
3/4"	DN20	61.5	41.5	52.5	33.5
1"	DN25	67.5	46.5	62	40
1-1/4"	DN32	80	58.5	66	46
1-1/2"	DN40	87.5	67.5	71	45
2"	DN50	97	75.3	76.5	52.5
2.5"	DN65	110	91.5	85.5	55.5
3"	DN80	131	108.5	91.5	58.5
4"	DN100	159.5	139	94.6	58.5
5"	DN125	188.5	168.5	97	60
6"	DN150	240	200	103.5	62.5
8"	DN200	298.5	257	140	95.5



- Siamese valve 4"-2X2-1/2"
- Material: Brass
- Inlet Thread: BSP(F) or NPT(F)
Outlet Thread: NH(F)
- The single clapper and double clapper designs
- Technical: Forged
- 2-1/2" swivels ring are pin lug design for ease of use and compatibility with local fire service districts.
- Including 2 plug of U.S.A. 2.5" NST polished with chain and plate for fire department

Material	Brass / Aluminum Alloy / cast iron
Inlet size	F 4"BSP / F 4"NPT
Outlet size	2xF2.5"NST



Hispeed Group Inc.

Address: Weifang City, Shandong Province, China

Tel: +86-13863633883

E-mail: sales@headsupplier.com

Web: www.headsupplier.com

HISPEED[®]
